



Sainty All slim frame sliding door (All slim-Visual Master Series)

Full name: All slim without down track super wide sliding door
(imported Italian hardware)



16MM all slim design (patent)

400KG super bearing design for single fan (patent)

Without down track design (patent)

Sound insulation and sealing system (patent)





16mm slim frame design, large visible surface

Super slim and minimalist design ,beautiful and elegant appearance

Advanced texture, leading a new fashion



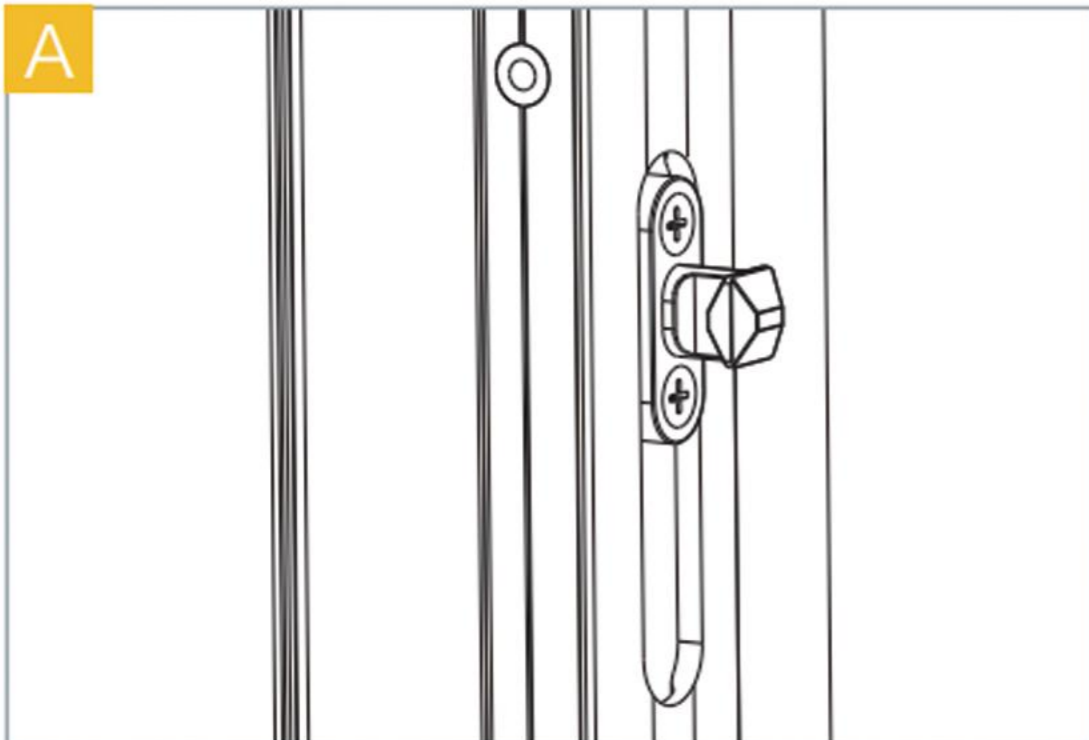


The 400kg super bearing capacity of the fittings makes the door fan 3 meters long

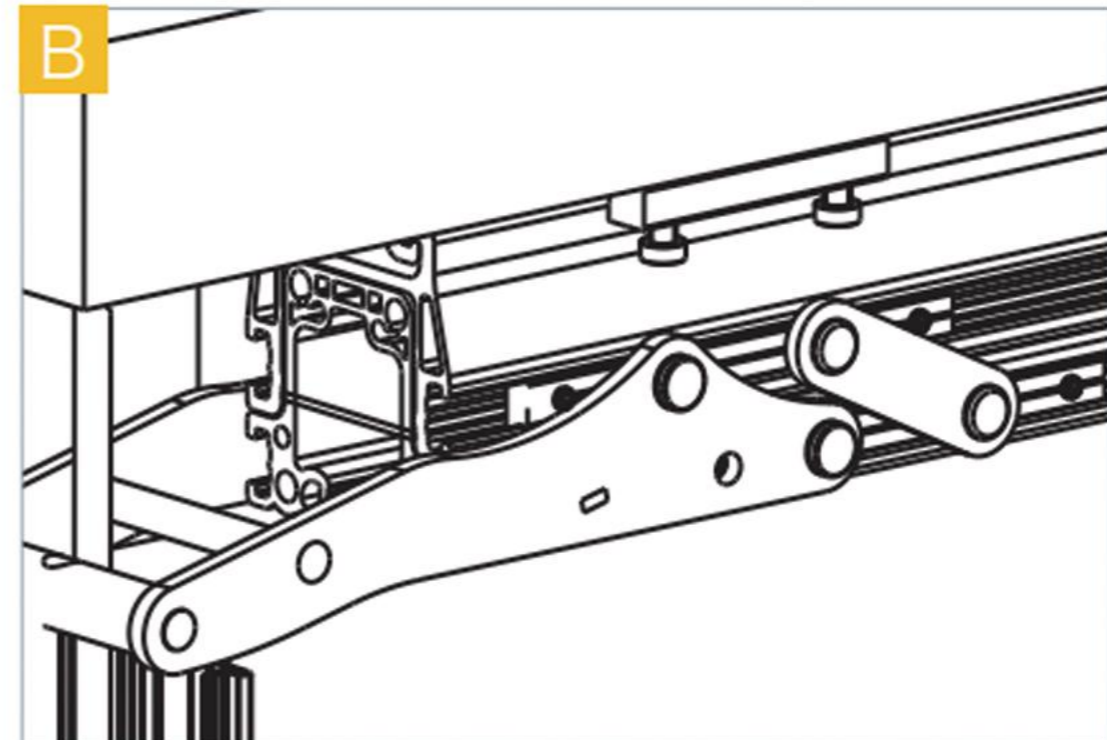
Minimum frame area for maximum visibility and unity.

Lift the height of 6mm, so that it can be easily handled from any height of the sill to no sill.

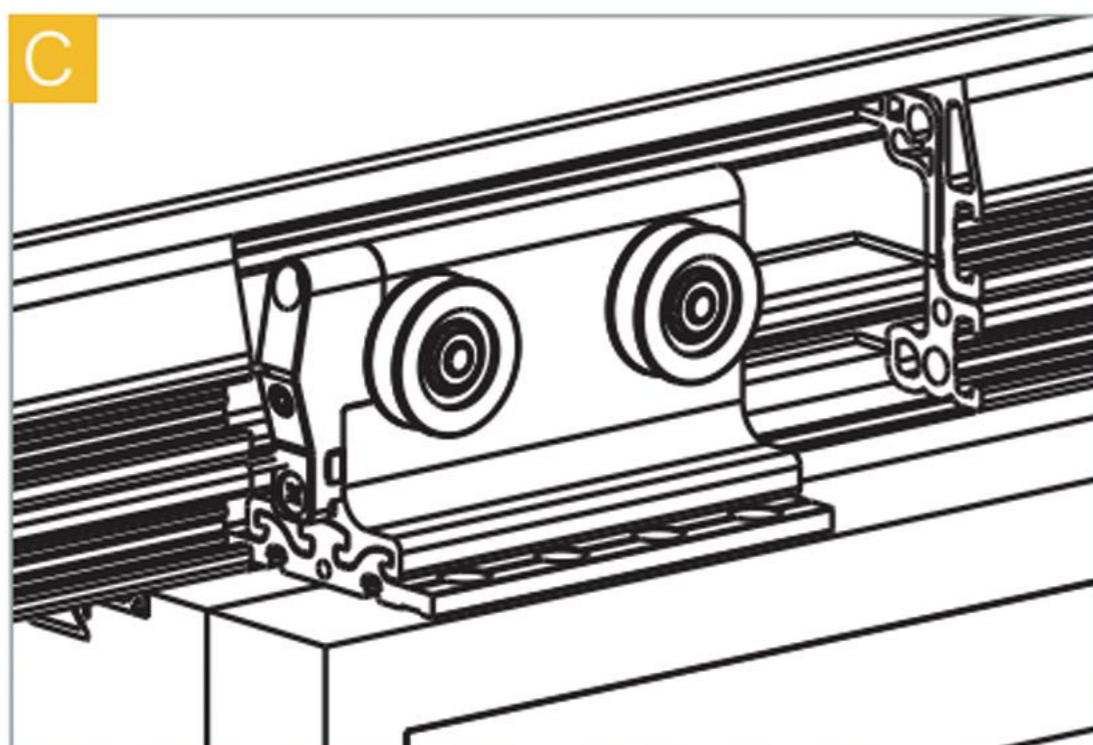
- The door lock is built directly into the door frame for increased security.



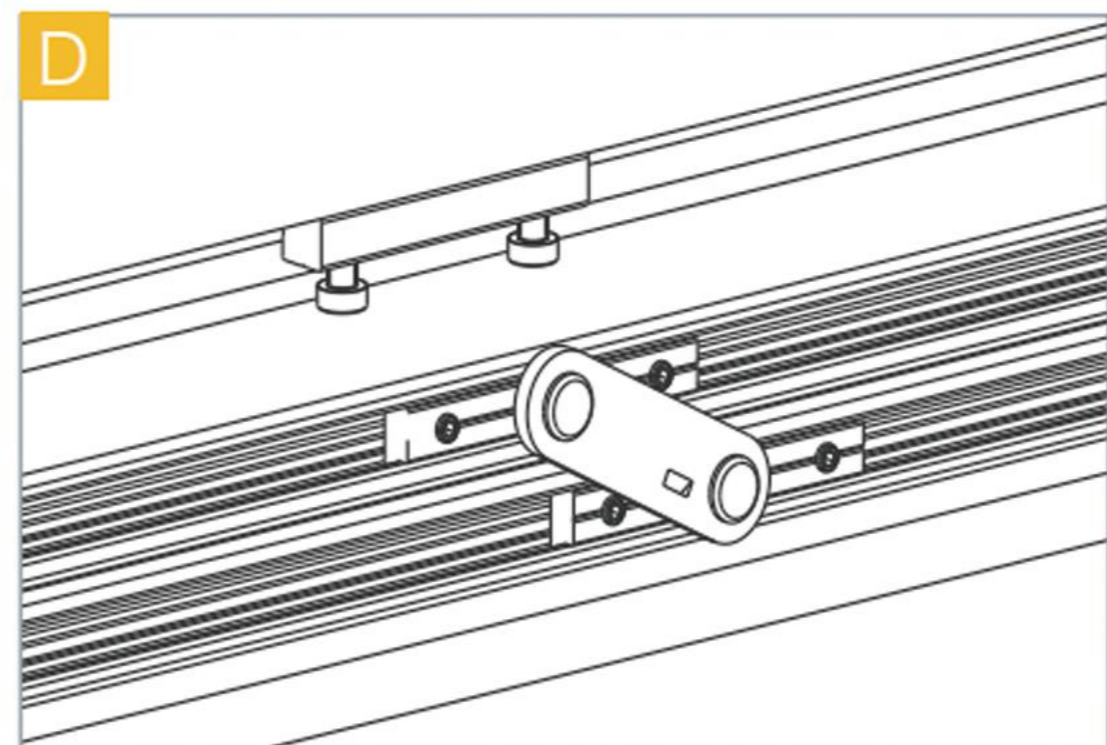
- The force required by the main bar to pull the door frame is split in two



- The regulating wheel consists of four rollers to reduce sliding resistance. Both groups of rollers can be adjusted (+/- 1.5mm) to simplify installation



- For doorframes up to 6.5m in length, additional lever force is applied





SAINTY slim frame sliding door (All slim-Visual Master Series)

Designed and tested by sainty aluminum window and door R&D department in Italian.

Hidden hinged sliding type, ceiling mounted support fixed frame to support manual and motorized sliding structure.

When the door is closed, the guide wheel does not bear the full weight of the door, thus avoiding deformation of the guide wheel that affects the smooth sliding experience.

