



## *Sainty Multi Lock System Sliding Window*

Full name: Sliding window with 9 sealing locks + 130mm wide system window (Imported German hardware)



9 silent locks + 2 channels seal(patent)

Pass American AAMA Canadian CSA standard test



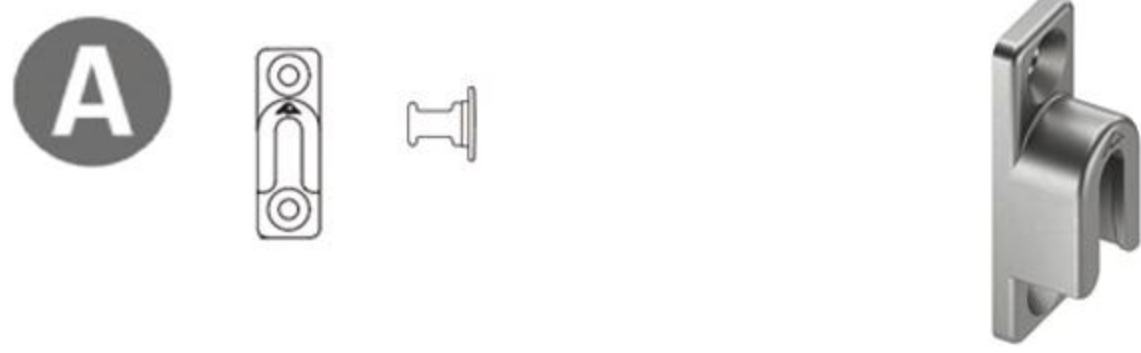
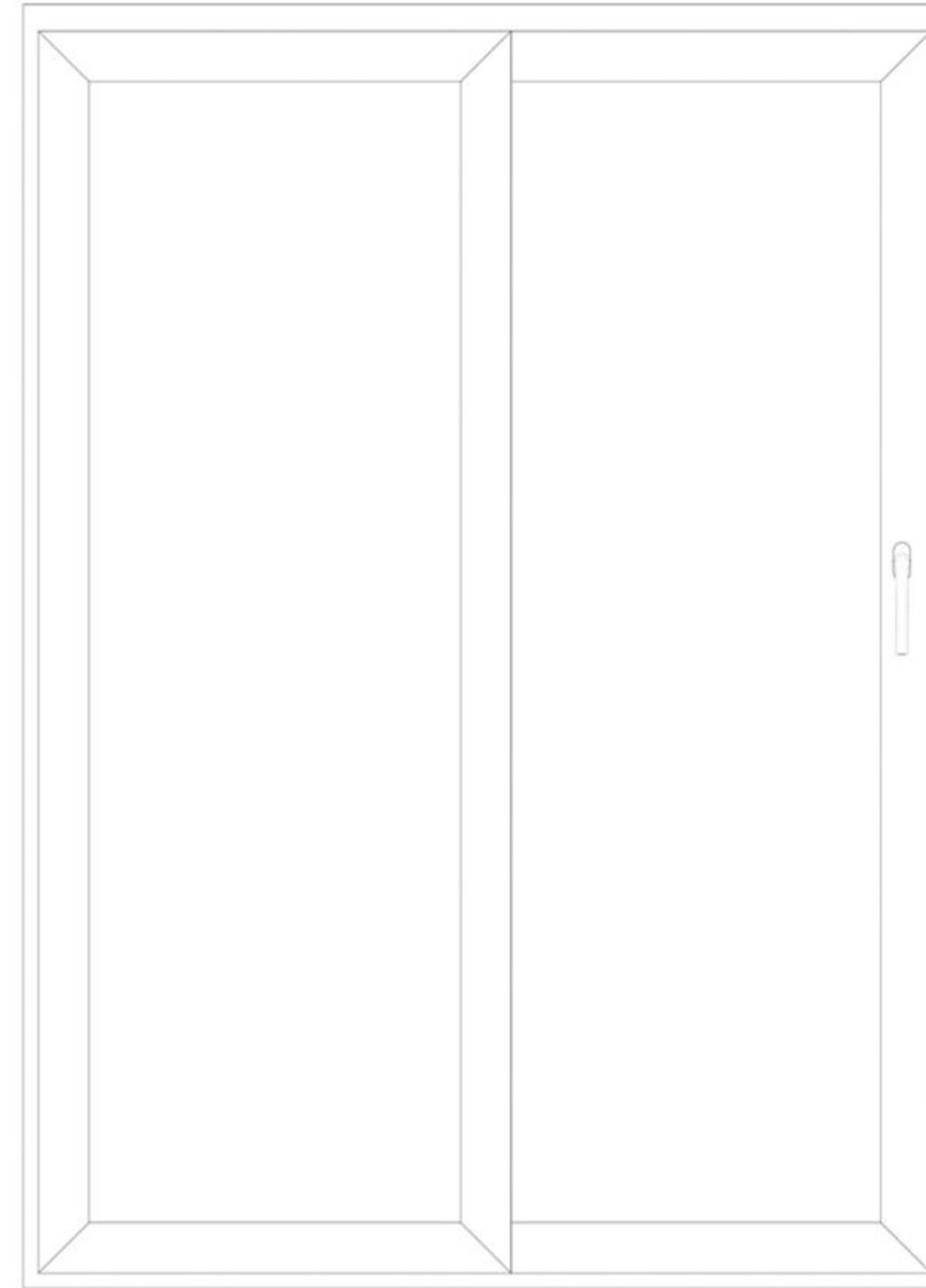
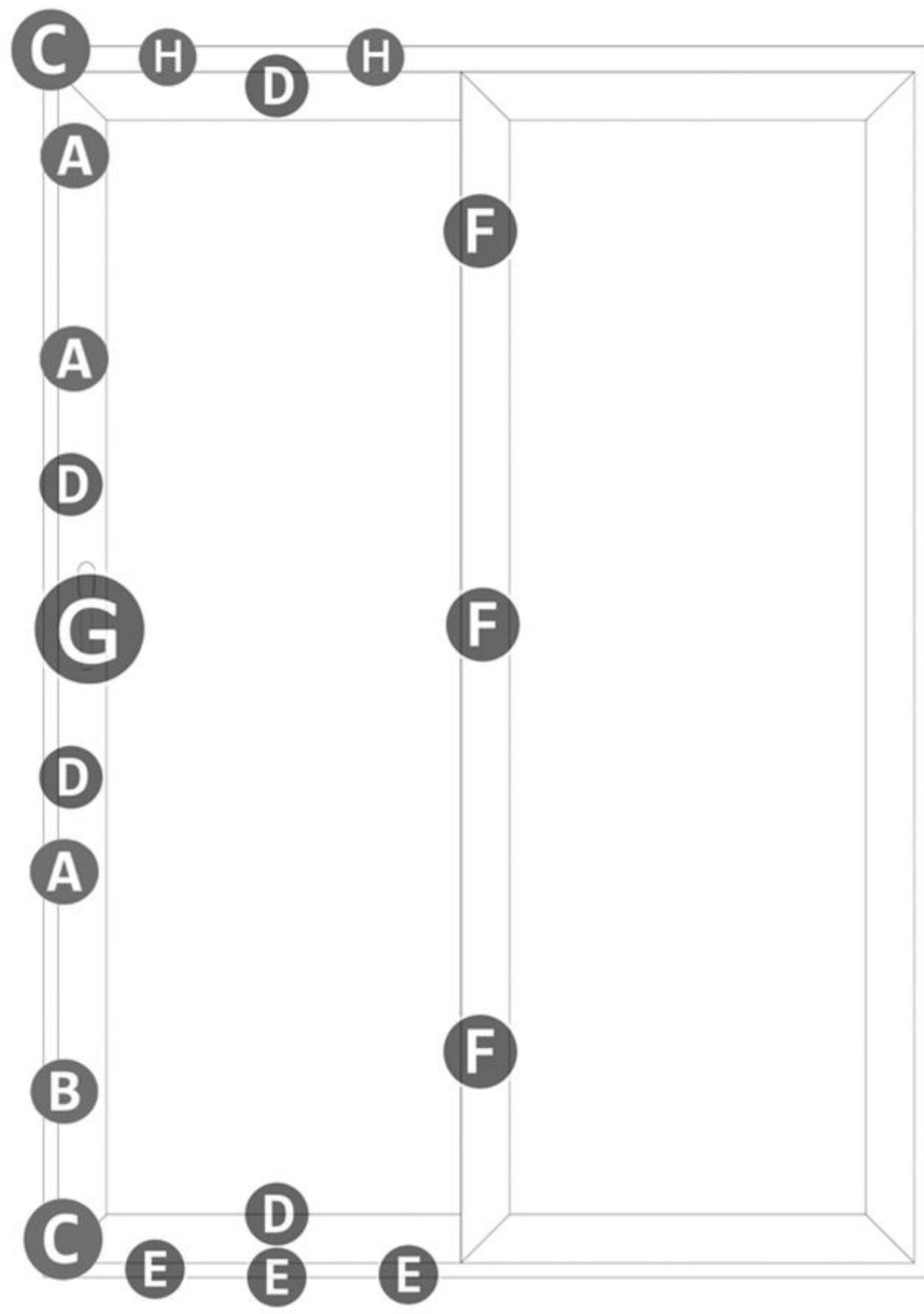


## **Sainty aluminum sliding window 130 Series (multi lock system sliding window series)**

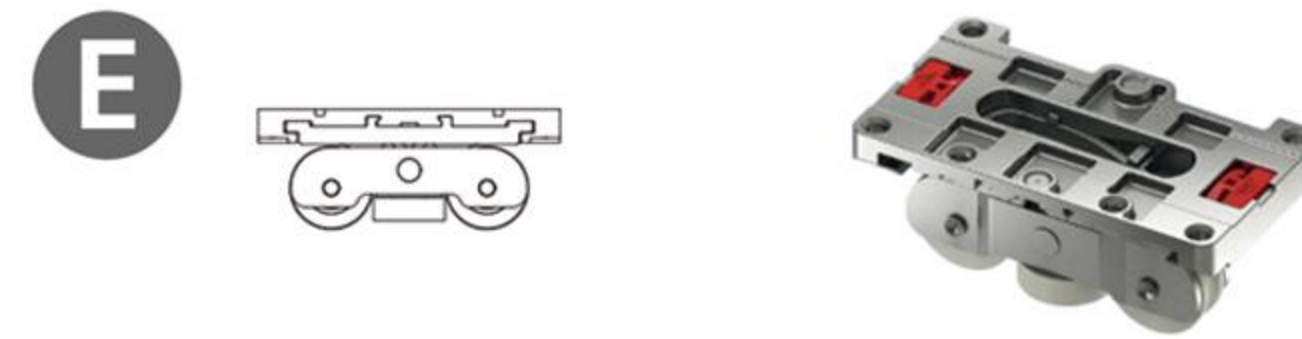
**(Passed the test standard of American AAMA and Canadian CSA -- the highest difficulty of sliding door)**

**Sainty sliding door adopted the German classic porous sound insulation design, not only have save space structure characteristic, and application scope is widespread, and in the design of more according to the characteristics of the German accessories, equipped with nine mute seal, the nine locks on two mullion respectively, so as to achieve unparalleled mute effect.**

**The hardware handle fittings are originally imported from Germany. After 8000 times of failure-free tests, it can meet the requirement of no replacement within 15 years.**



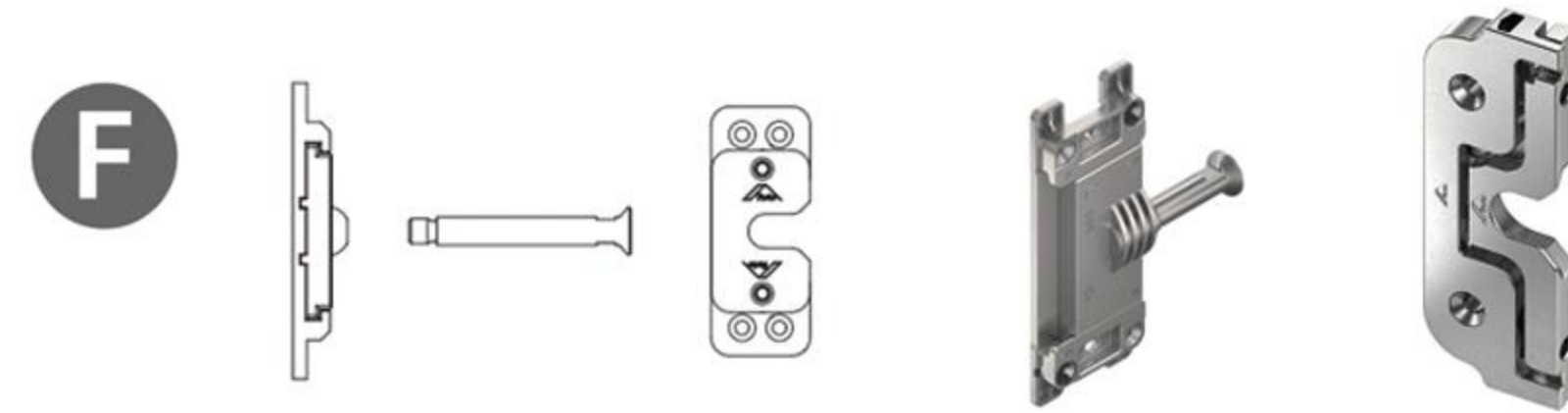
Lock Point



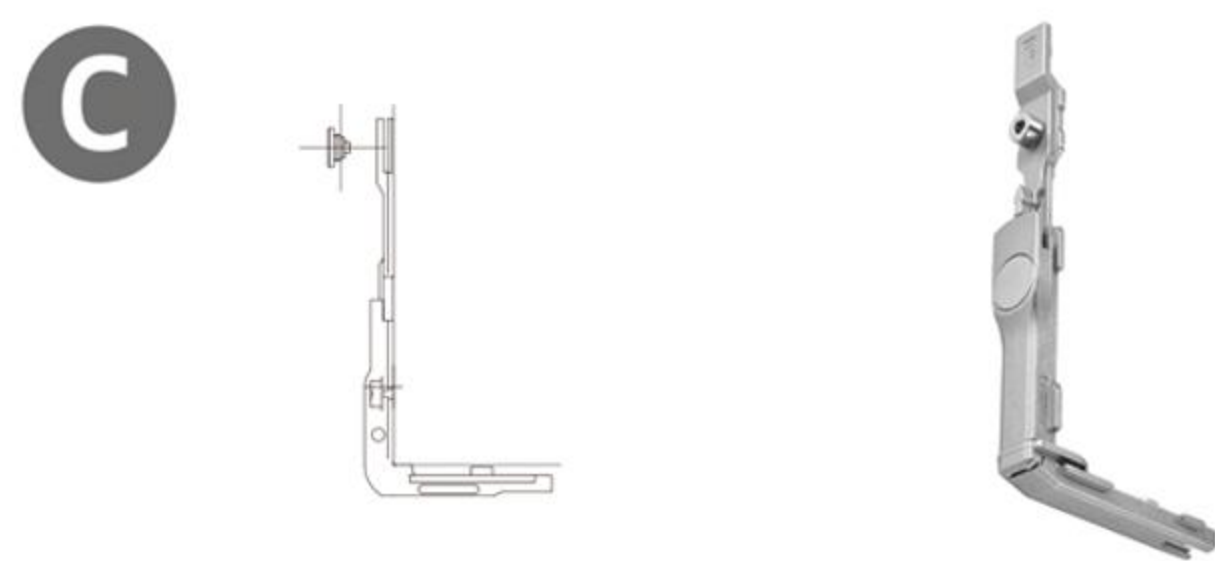
Pulley Block



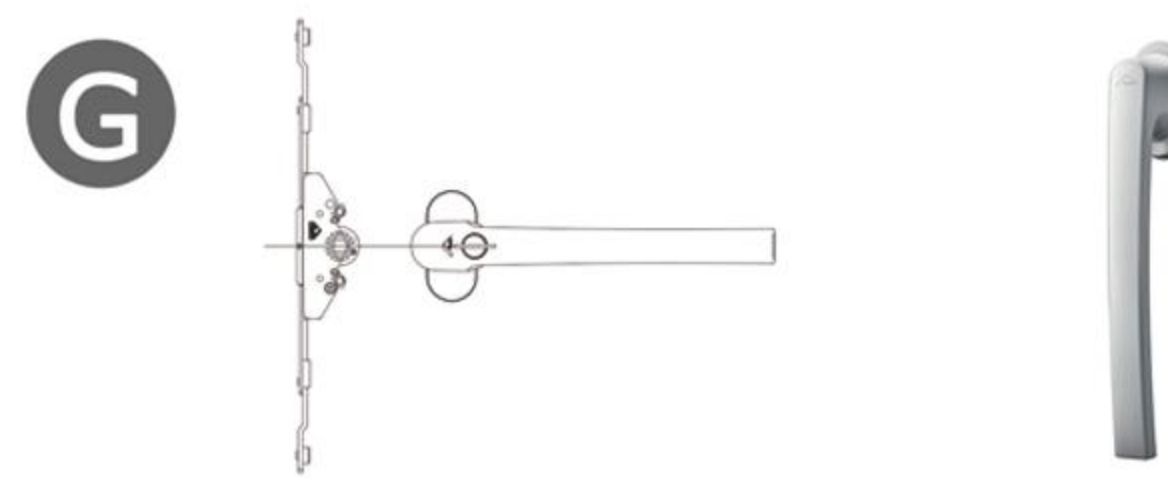
Bumper Block



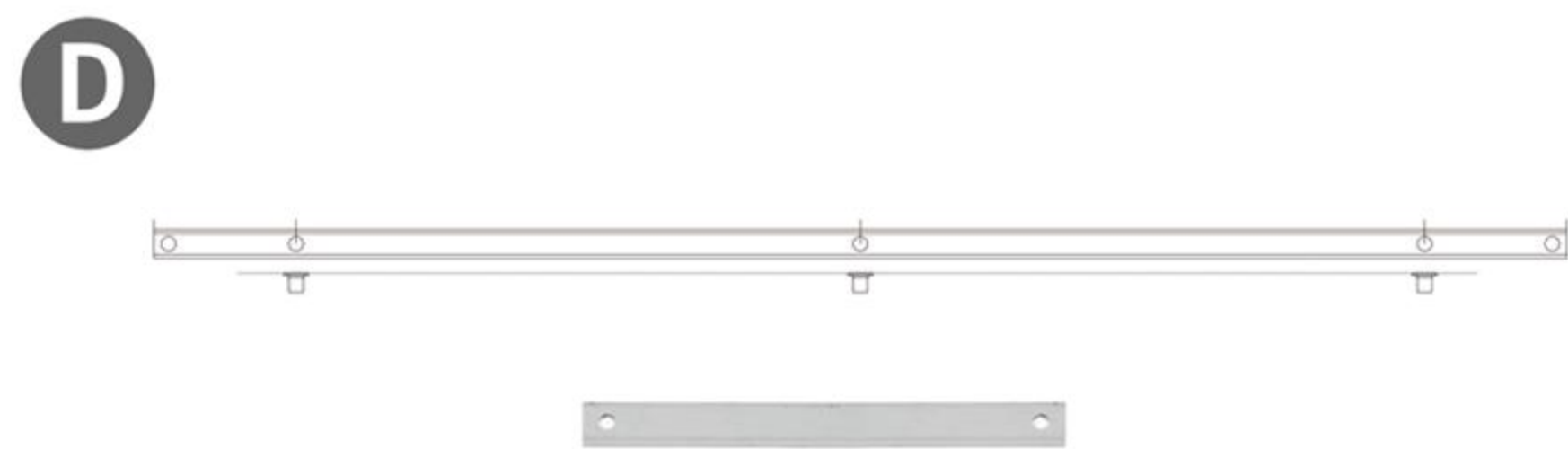
Active lock point kit



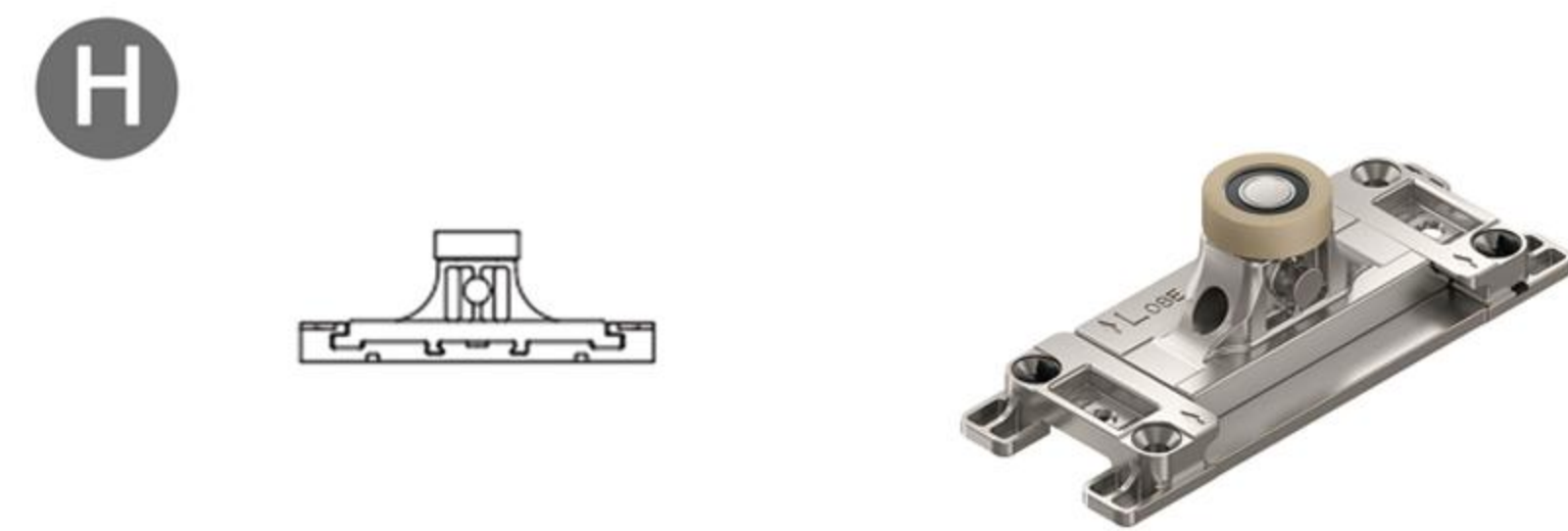
Corner Device



Main Drive Shaft + Handle

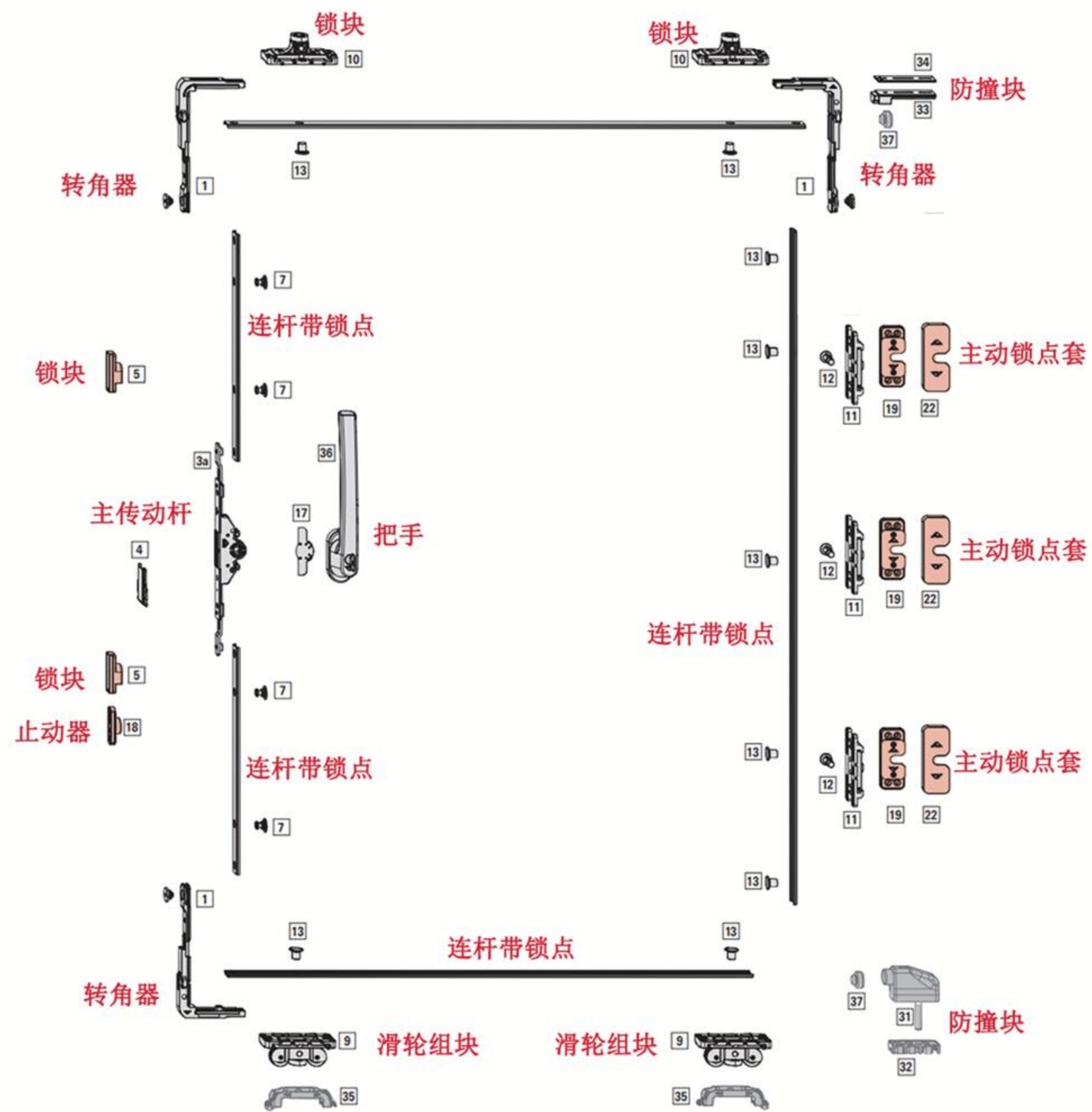
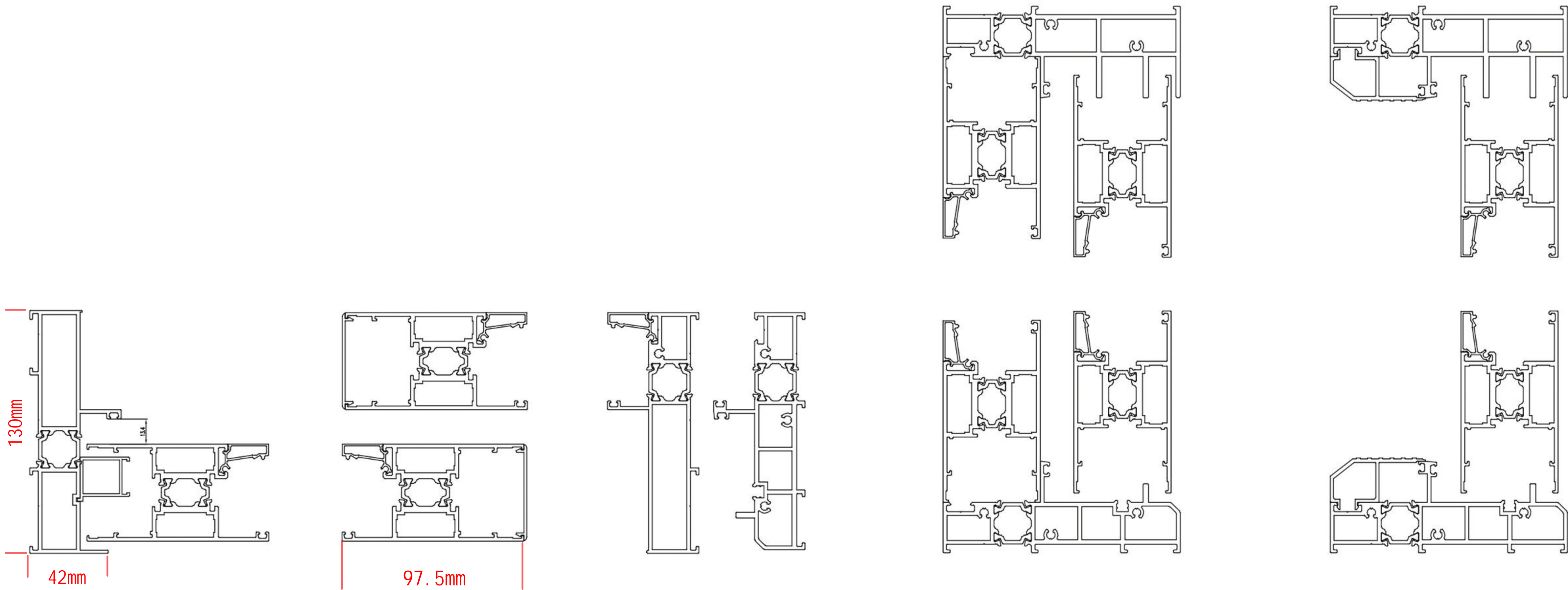


Transmission Rod



Guide Pulley





*Compared with the traditional sliding window has a very large weakness in air tightness, waterproof, sound insulation and wind pressure resistance. Through our design, the performance of the sliding window is greatly improved. The multi lock system makes the performance of the sliding door in the closed state reach the level of the swing door.*



— SAINTY — DESIGN PRODUCE INSTALL

PATENTED PRODUCT COUNTERFEIT WILL BE SUED

