

## How to install the Sliding Door?

**1<sup>st</sup> Step, please check follow 4 items showed which assemble them in the crank window frame. Follow pictures will show how to do step by step.**



**Active lock point bracket**



**Handle**



**Connecting Piece**

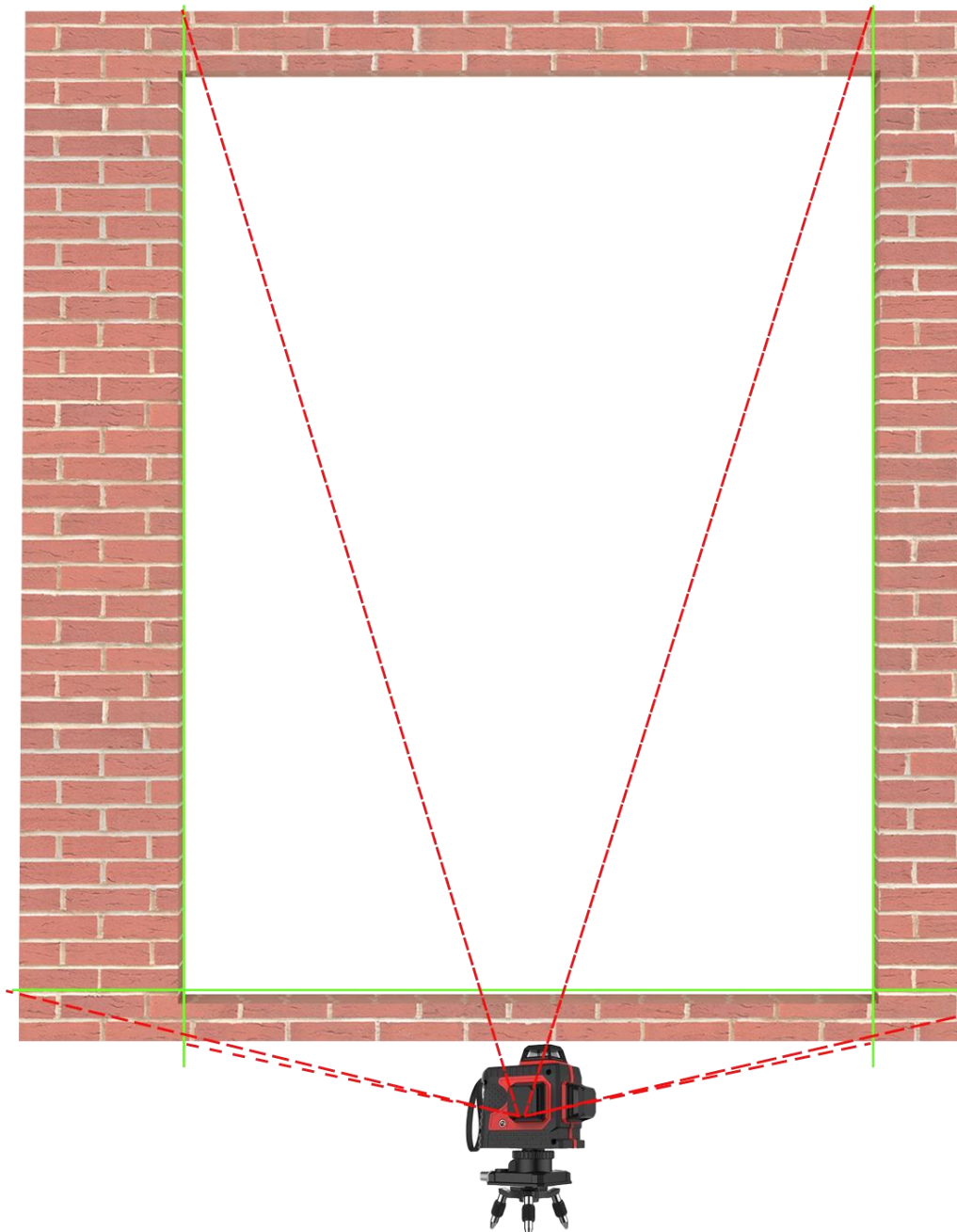


**Anti-collision block**

## Measuring the dimensions of window /Clean and Installation Step 1:

**Adjust the laser level measuring instrument:** Place the instrument on the reference plane or the tripod. After the machine is turned on, the laser flashing alarm will adjust the position of the instrument or fine-tune the tripod to make the instrument placement surface tend to level. The height of the instrument can be adjusted by shaking the handle or lifting the tripod.

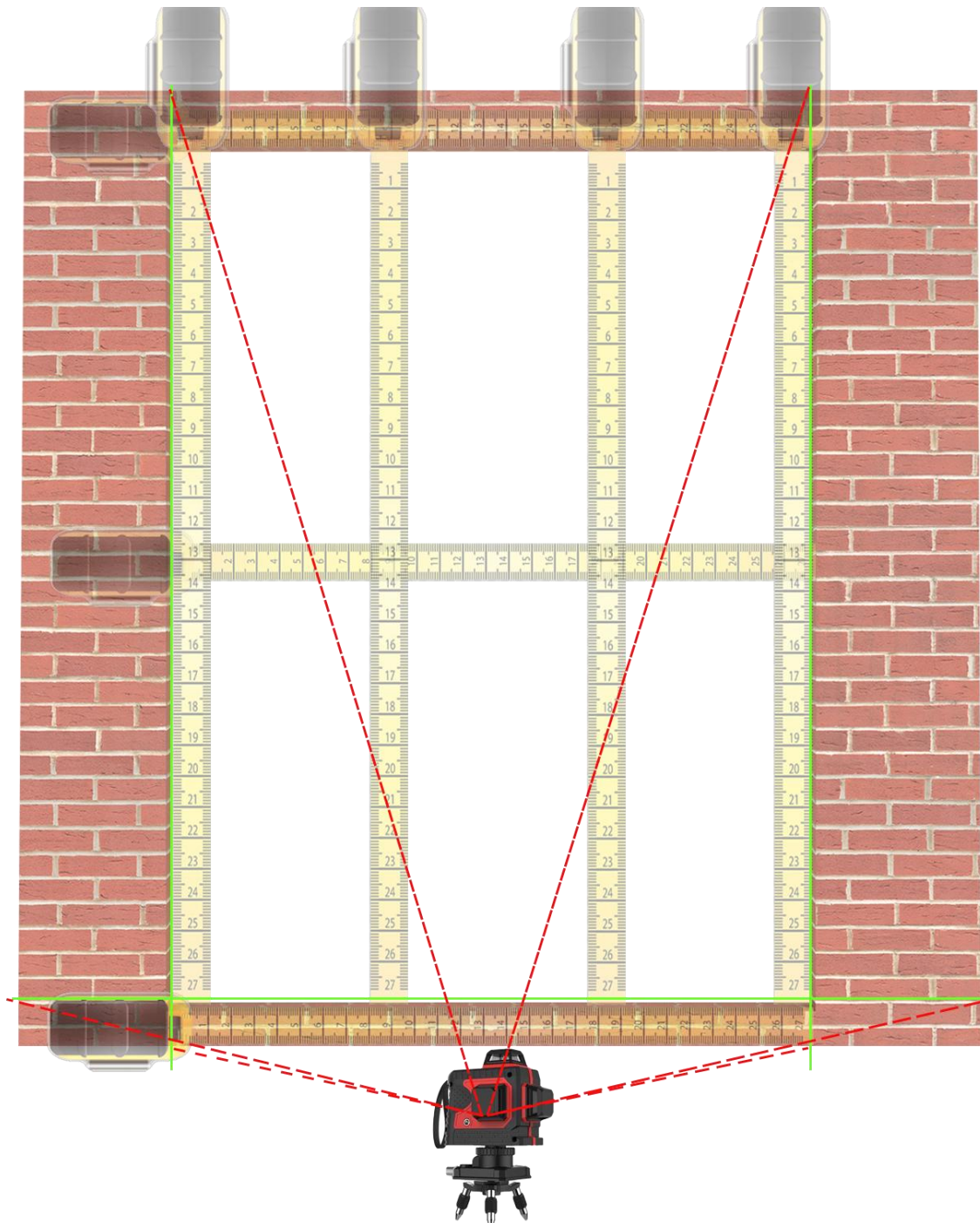
**Measure operation:** Rotate the switch to the ON position. Release the lock condition and turn on the power. At this time, the horizontal laser line and the vertical laser line will be lit and projected on the target. Rotate the instrument horizontally so that the vertical laser line falls in the desired position. Turn off the power after the operation is complete.



## Measuring the dimensions of window /Clean and Installation Step 2:

According to the measurement result of the level measuring instrument, the size is measured several times and the minimum value is taken.

The measurement results are compared with the production size, and the uneven wall surface is cleaned and trimmed.



**2<sup>nd</sup> Step, After unpacking, Put the sliding door frame up in the hole, ready for the handle.**



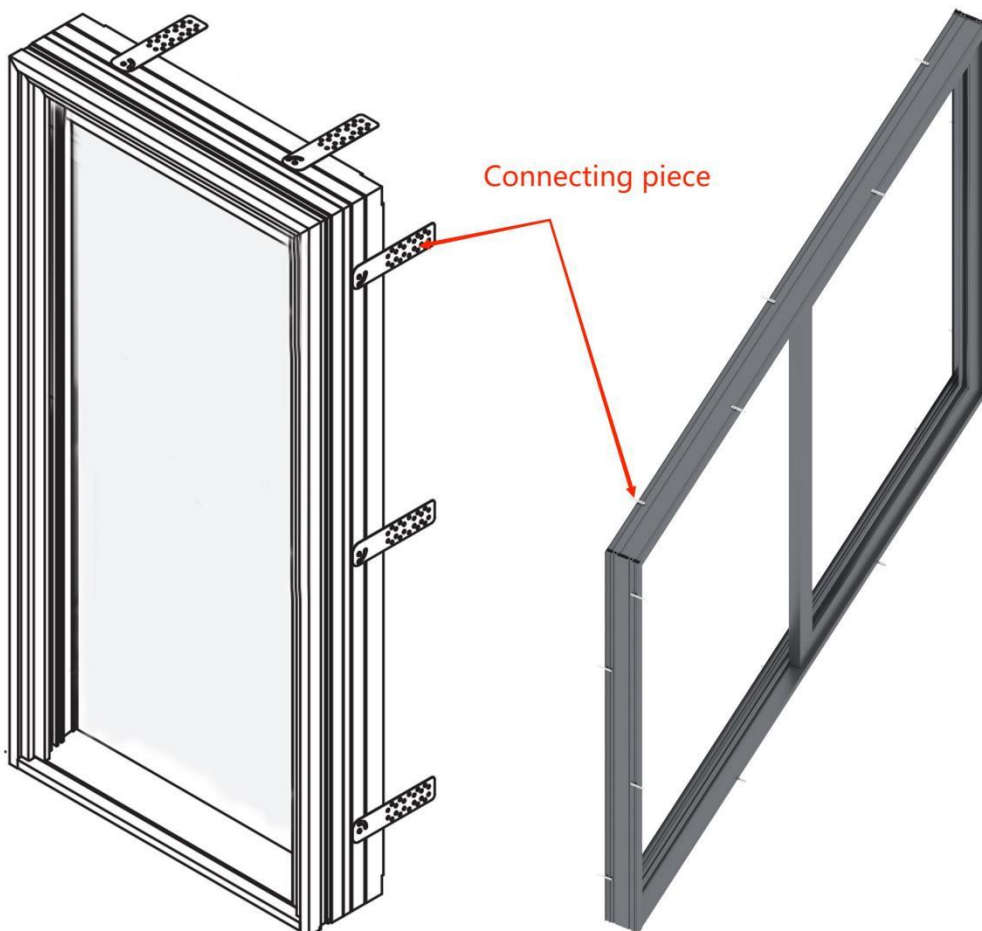
**3<sup>rd</sup> step-1, The door must be opened with a handle before installation. First, insert the handle into the upper bolt, and then install the handle in the reserved hole position: tighten the machine screw with the electric drill, then use the 3.2mm drill bit to fix the eye, and use the 4mm\*40mm nail to fix the handle.**



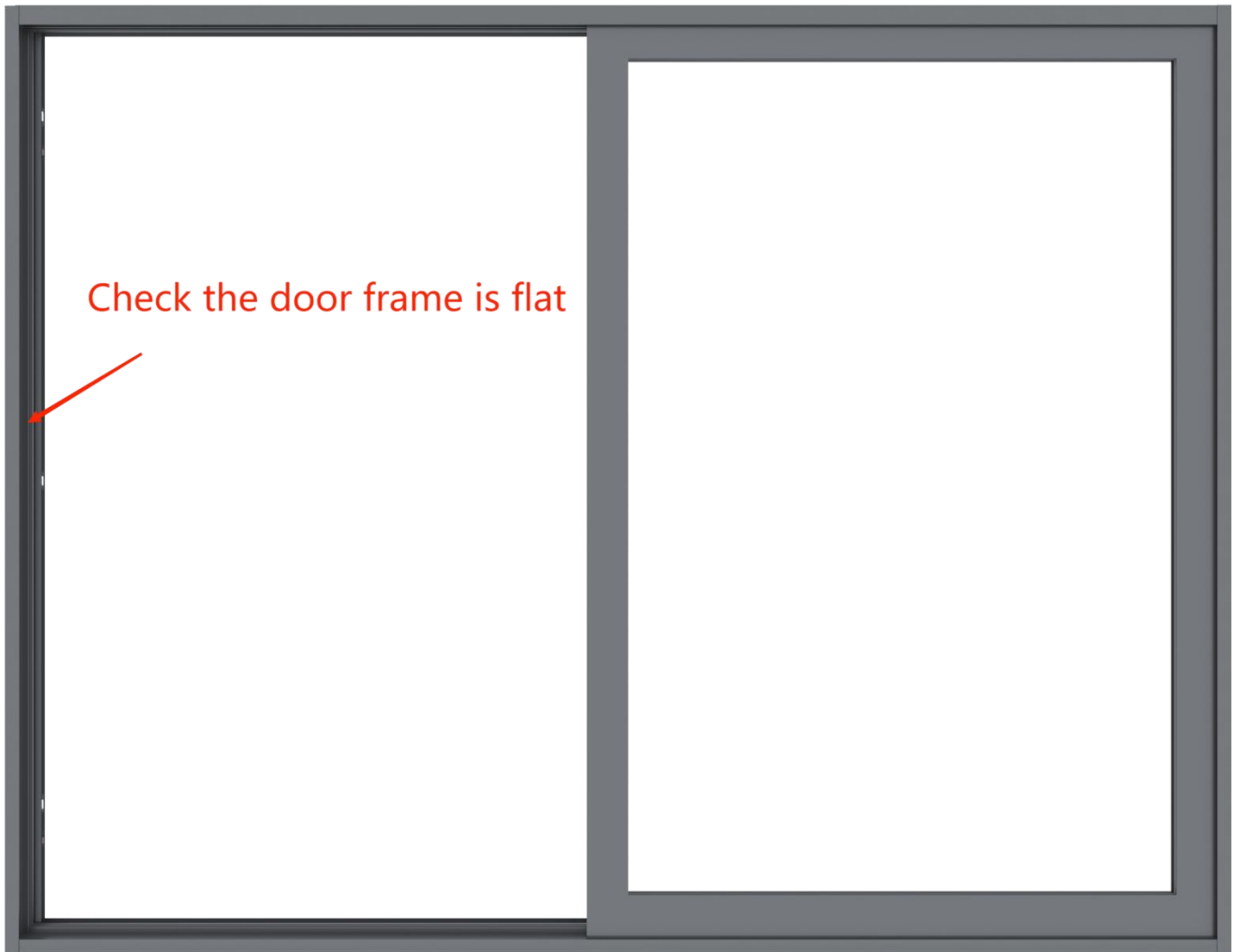
**3rd step-2, After installing the handle,testing the door to make sure the door is skewed.When the handle is down, it is locked, and when the handle is up, it is opened.**



4<sup>th</sup> step-1, The connecting piece is first placed on the outside of the door frame.

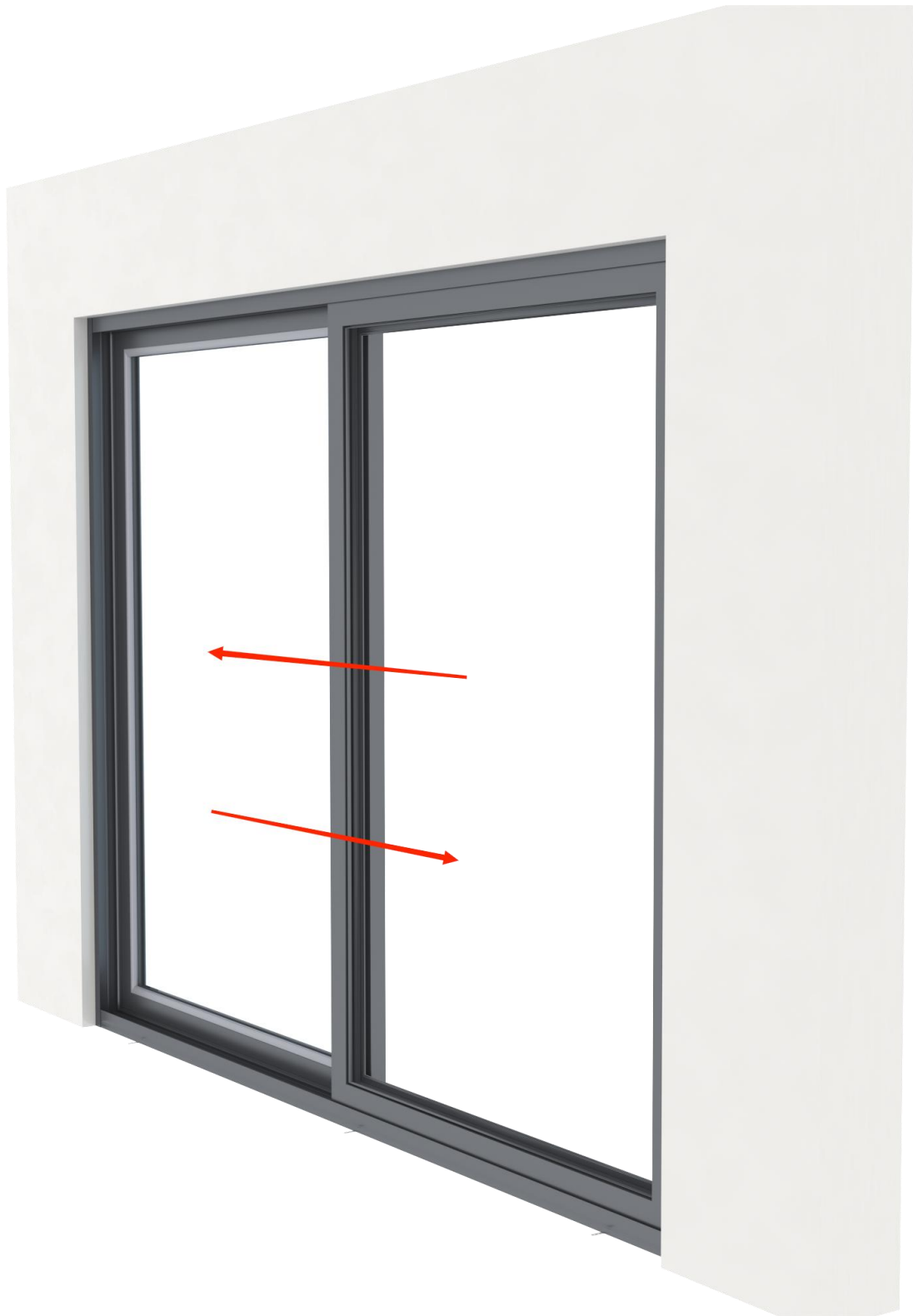


**4<sup>th</sup> step-2, Before installation, the frame must be horizontal and vertical, otherwise it will affect the opening effect of the door.**



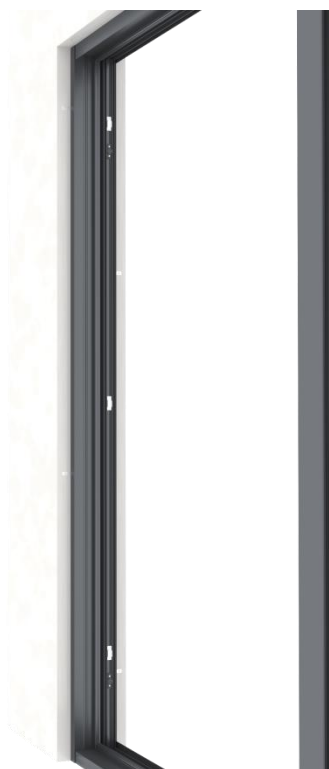
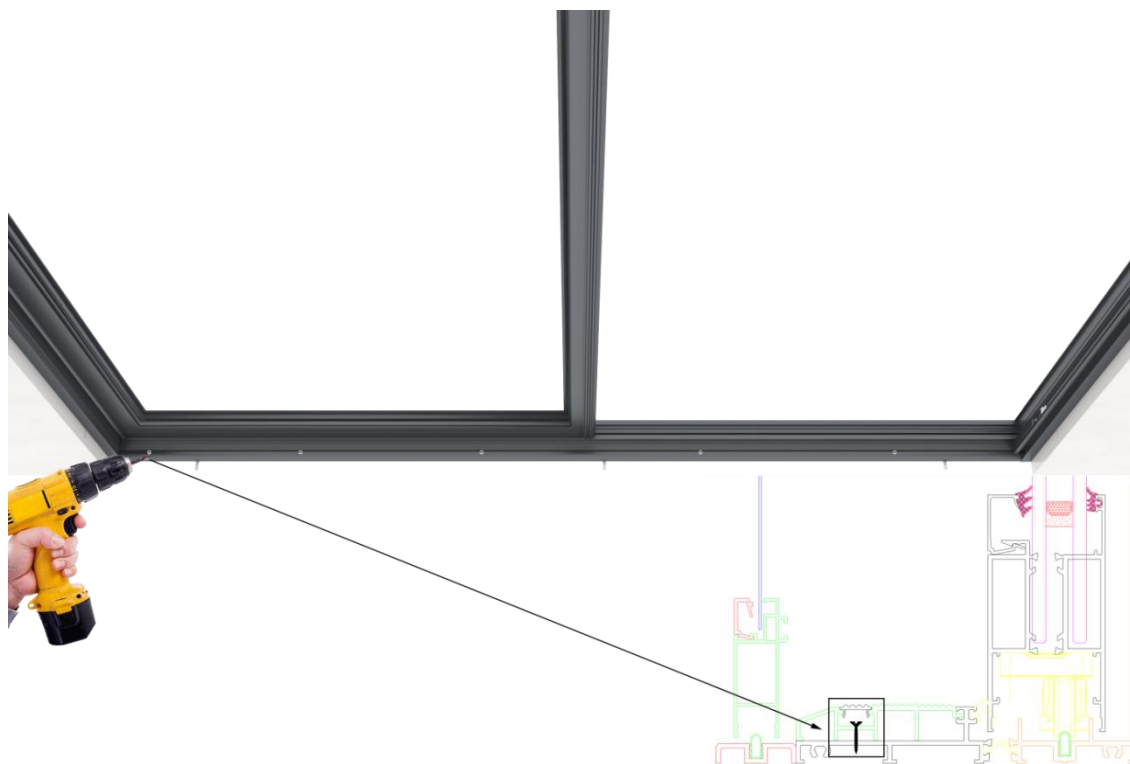


**5<sup>th</sup> step-1, Testing the door to make sure the door opens and closes properly.**



## 5<sup>th</sup> step-2, Nail the door to the wall.

**Note: Cover the panel only after the foot pedal is nailed, because the cover is not easy to pry open.**



**6<sup>th</sup> step-1, After removing the opening leaf, install the fixed fan glass.**



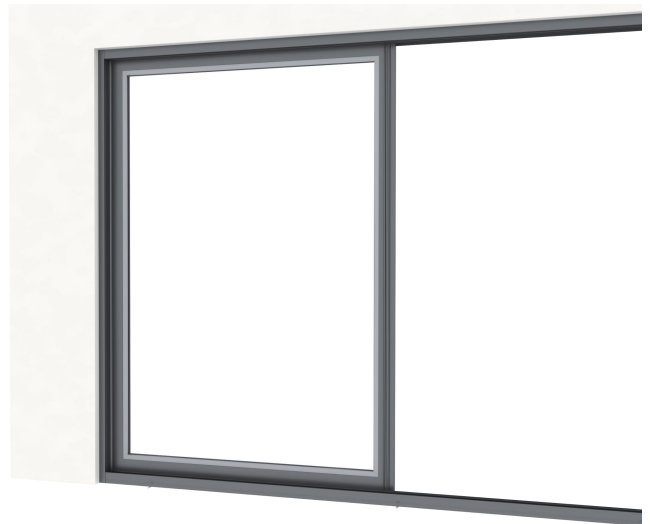
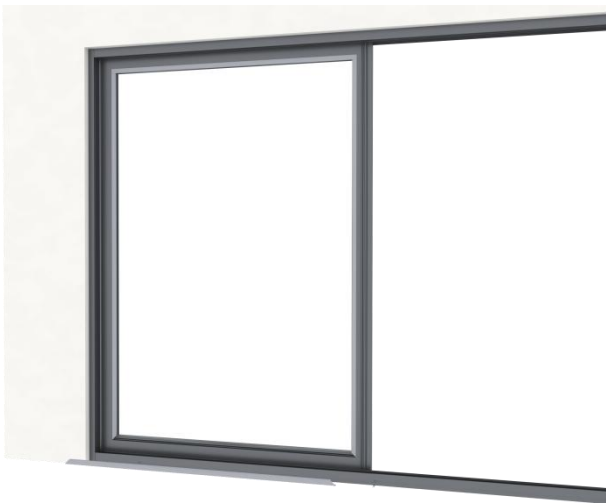
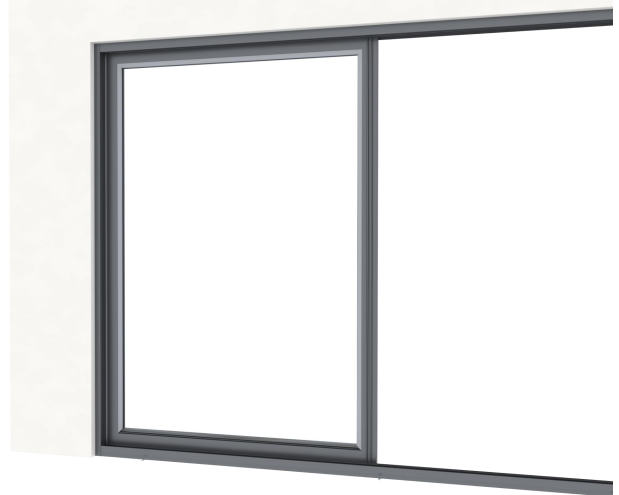
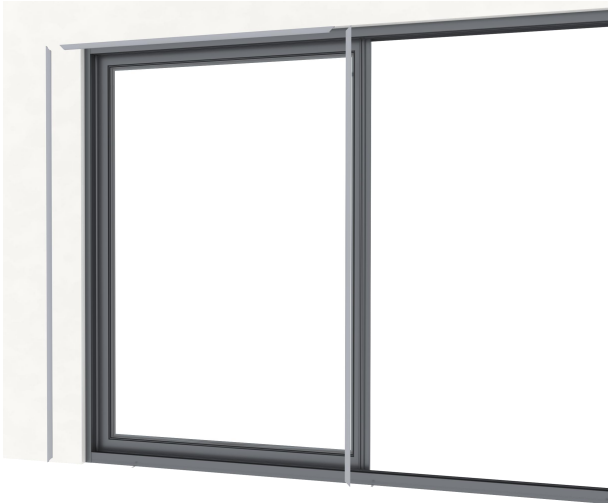
**6<sup>th</sup> step-2, Remove the glass stop and ensure to put it back in place.**



**6<sup>th</sup> step-3, Put two glass pads under the door to hold the glass. And put the glass in the frame.**

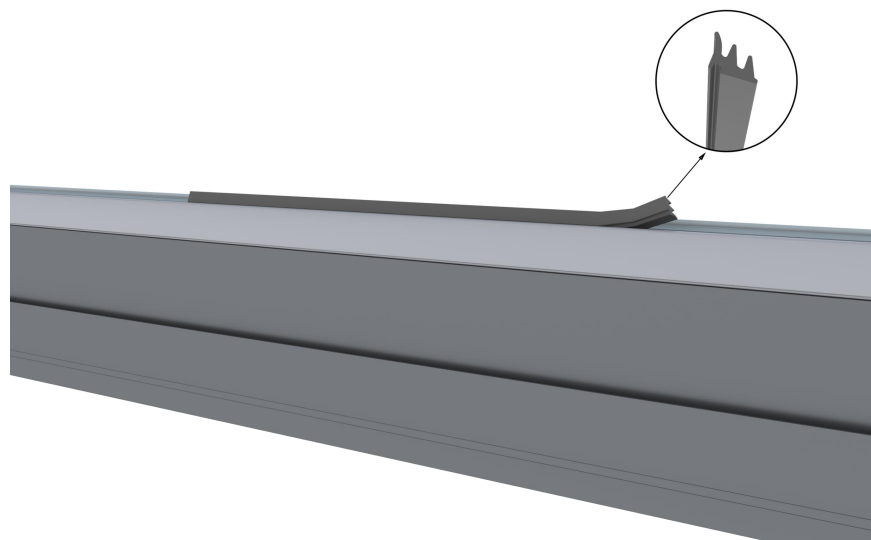


**6<sup>th</sup> step-4, Install the glass stop.**



**6<sup>th</sup> step-5, Install the glazing gasket, measure the length of the glazing gasket first, cut the glazing gasket extra 5 cm, press the glazing gasket with the roller in place.**

**Note: The height of the glass is different. The fixed leaf is higher and the open leaf is lower.**

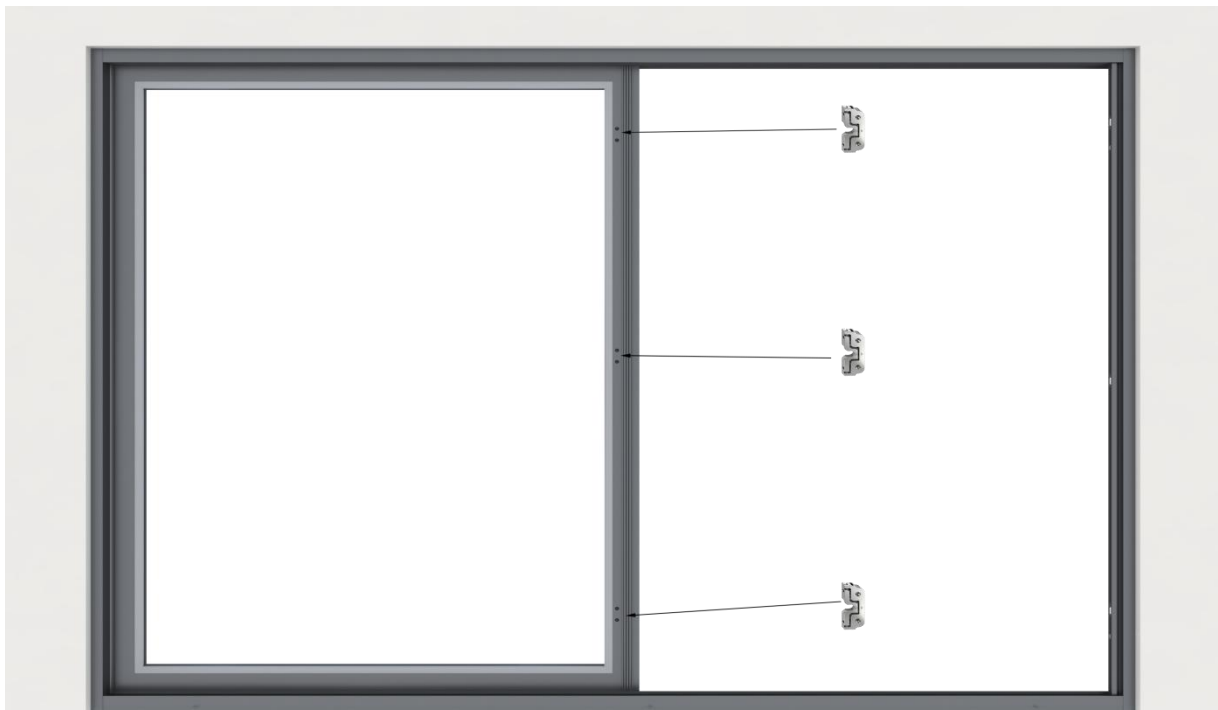


**7<sup>th</sup> step-1, Install movable leaf after the fixed leaf glass is installed.**

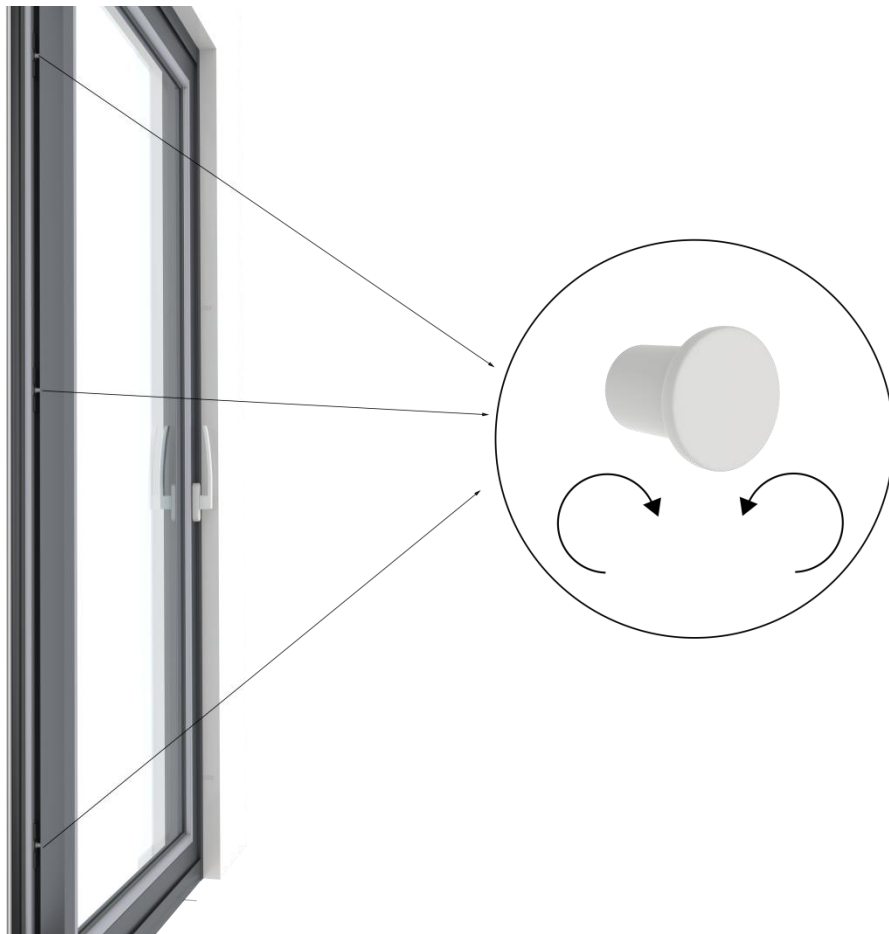




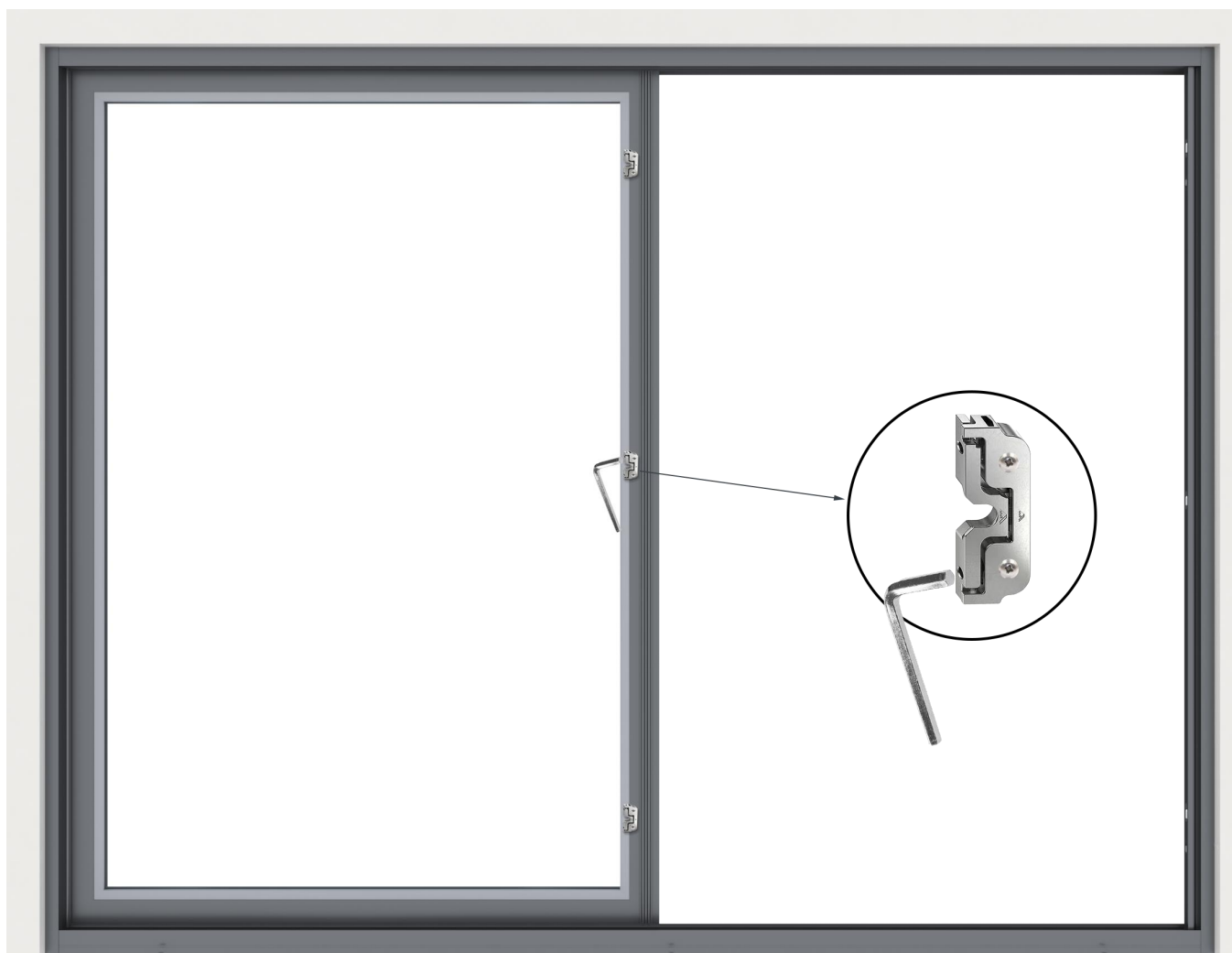
**7<sup>th</sup> step-2, Install lock block: Install 3 in one set of doors. The connecting holes should be drilled well and fixed with screws of 4mm\*14-16mm.**



**8<sup>th</sup> step-1, Open the leaf in the middle position. After installation, if there is a gap can not be locked, adjust the lock block and lock hook head bolt.**



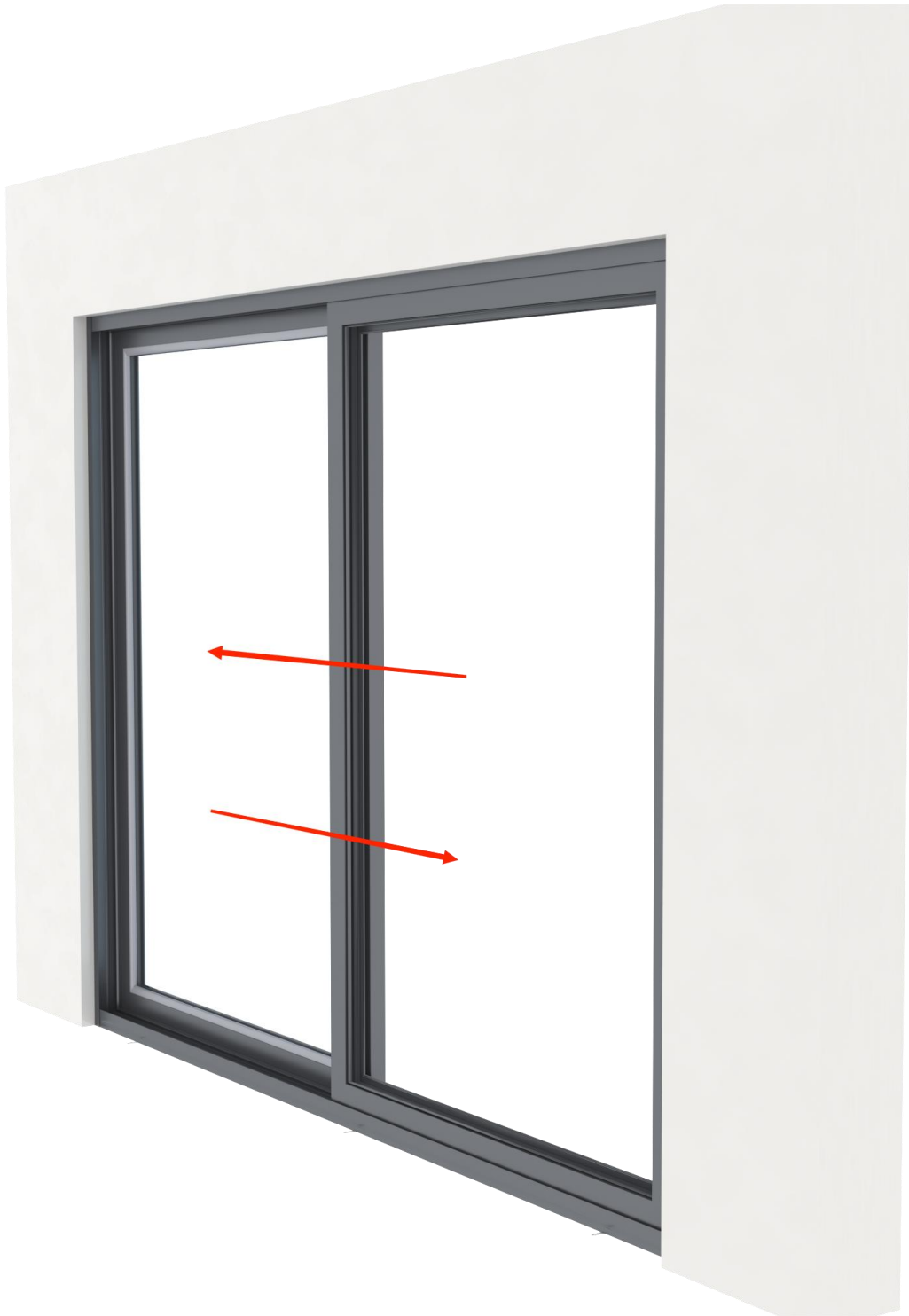
**8<sup>th</sup> step-2, The lock block can be adjusted longitudinally and laterally by itself. The adjustment is made with six edges within 2.5mm. Install the lid of the lock block after debugging(Important).**



**8<sup>th</sup> step-3, Open the door at the appropriate position to adjust the anti-collision block, and then fix the screws.**



**9<sup>th</sup> step-1, After adjusting the open leaf, lock the door and begin to install the opening door glass.**



**9<sup>th</sup> step-2, Remove the glass stop and ensure to put it back in place.**



9<sup>th</sup> step-3, Put two glass pads under the door to hold the glass. And put the glass in the frame.



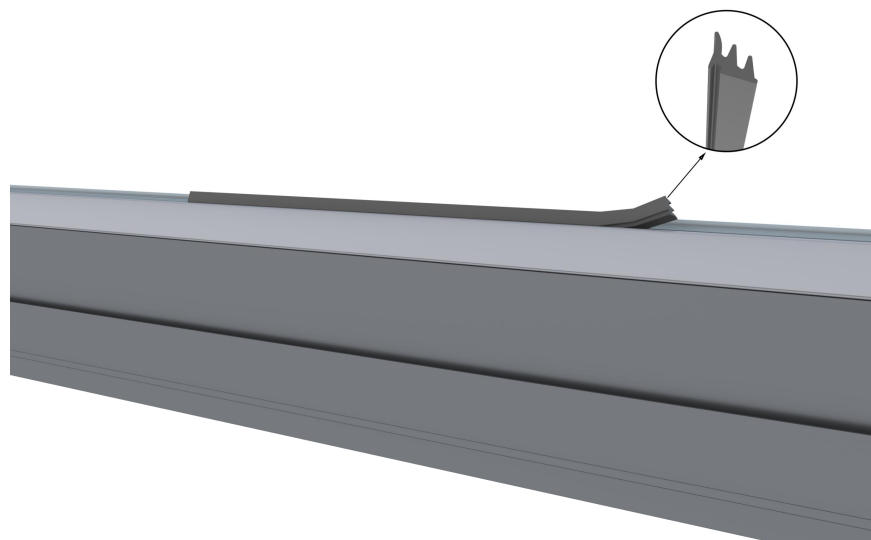
**9<sup>th</sup> step-4, Install the glass stop.**



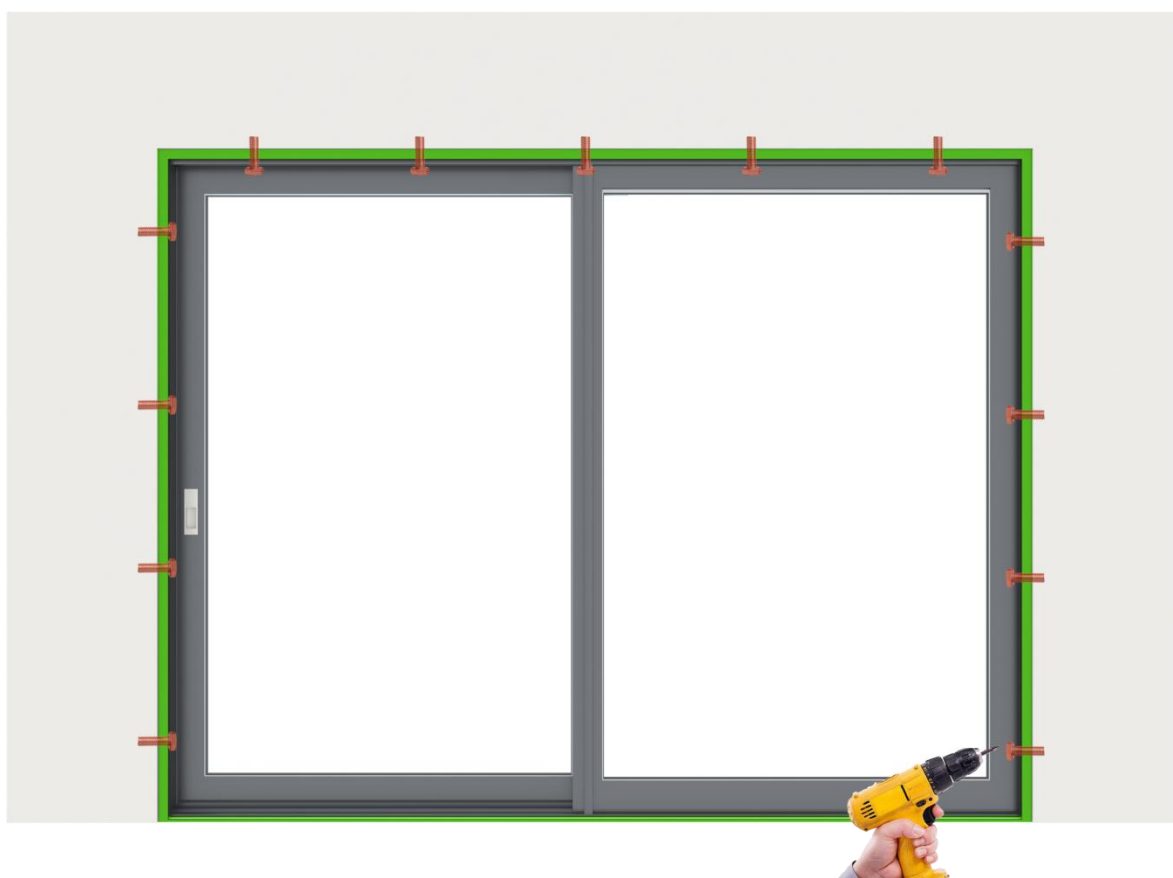


**9<sup>th</sup> step-5, Install the glazing gasket, measure the length of the glazing gasket first, cut the glazing gasket extra 5 cm, press the glazing gasket with the roller in place.**

**Note: The height of the glass is different. The fixed leaf is higher and the open leaf is lower.**



**10<sup>th</sup> step-1, The screen door frame is close to the outdoor, fixed on the wall horizontally and vertically.**



**10<sup>th</sup> step-2, Ten the screen door is installed, first on the upper and lower slide.**

