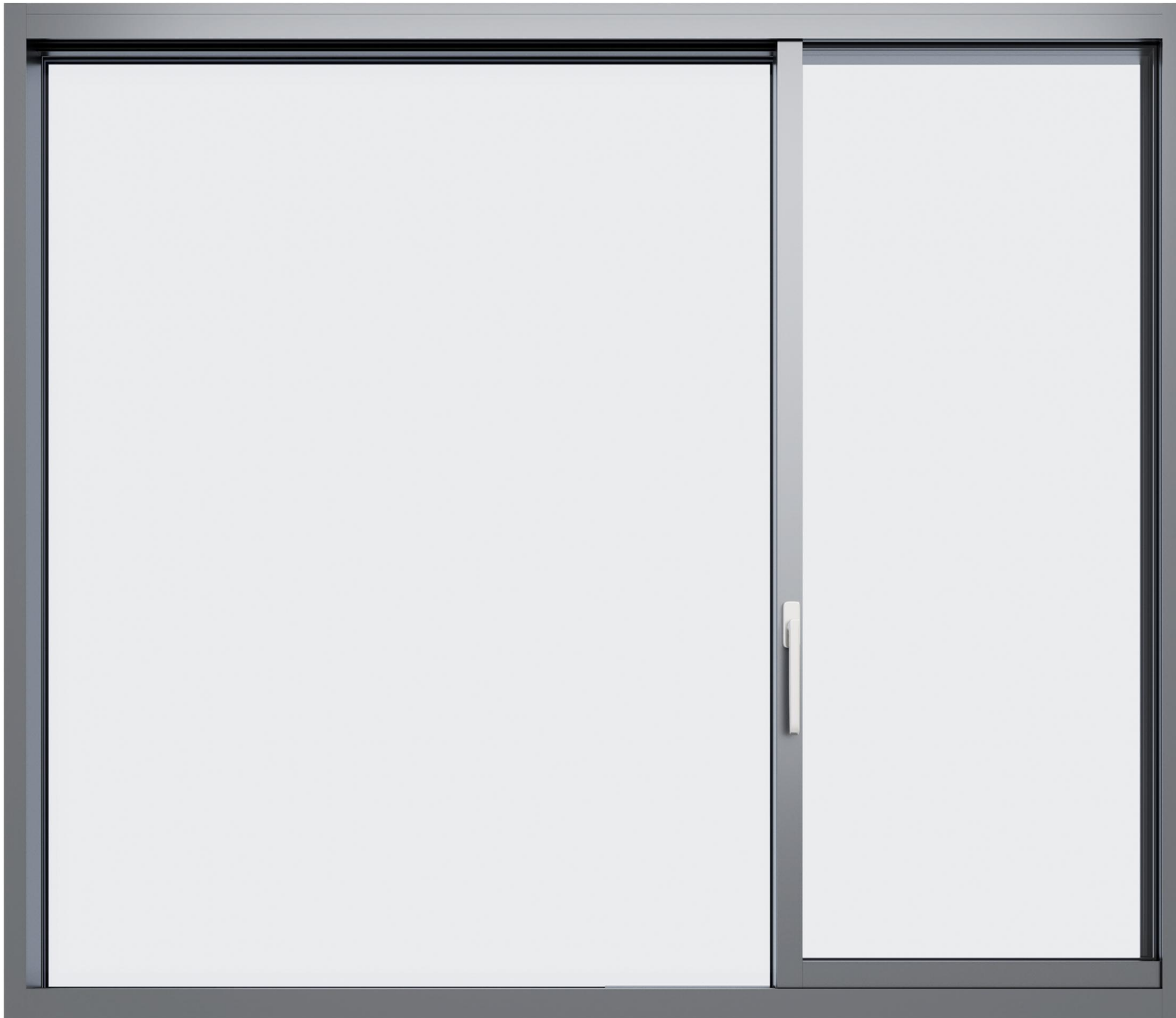




SAINTY Aluminum Lifting Sliding Window

Full name :Insulation design lifting sliding window



- Window sash weight up to 80 kg
- Dimensions up to 2000 mm wide and 1800 mm high.

The lifting sliding design separate the interior and exterior parts of the frame by a thermal break can also contribute to improved sound insulation. This can help reduce the amount of external noise that enters the building, creating a quieter and more peaceful indoor environment.



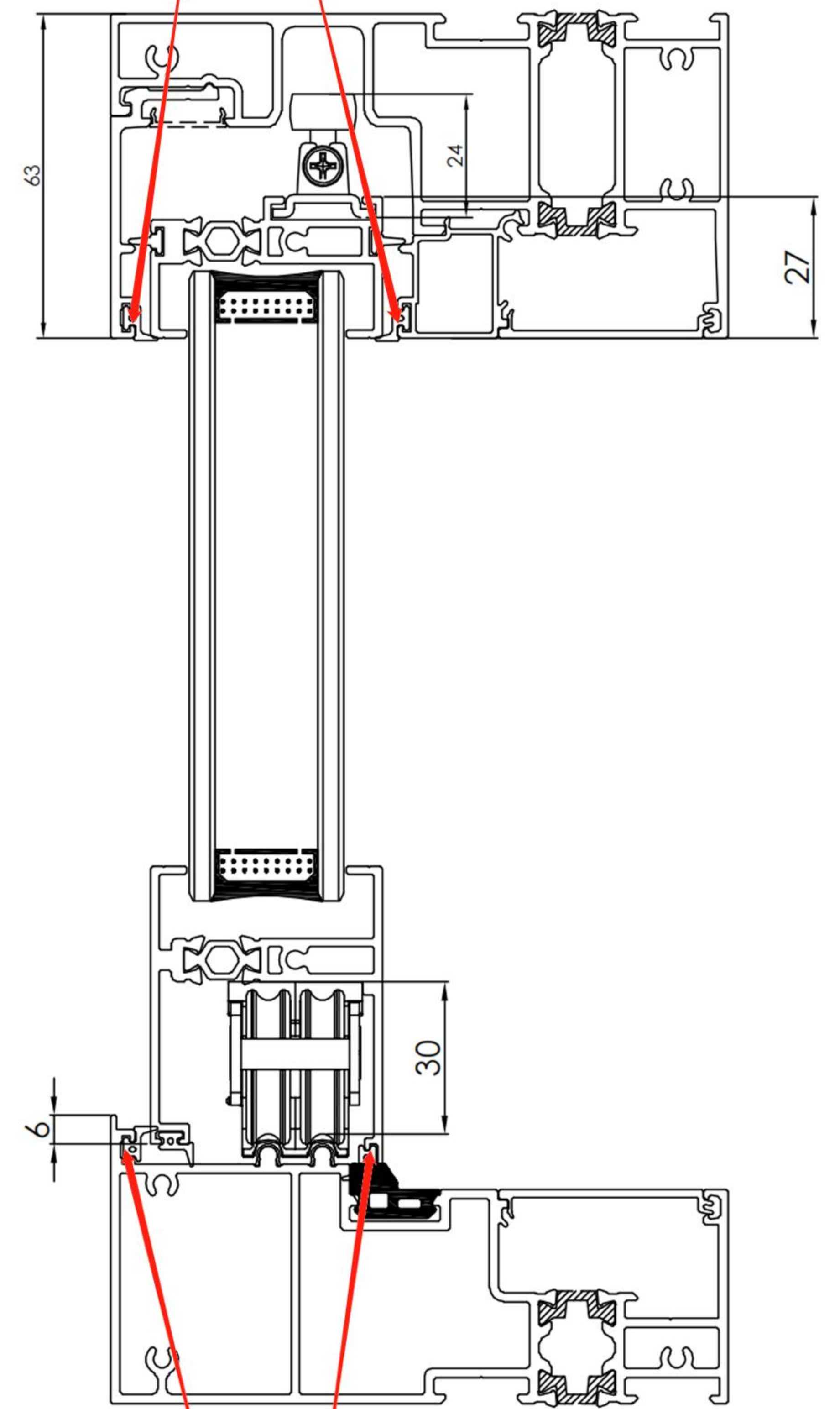


SAINTY patent design

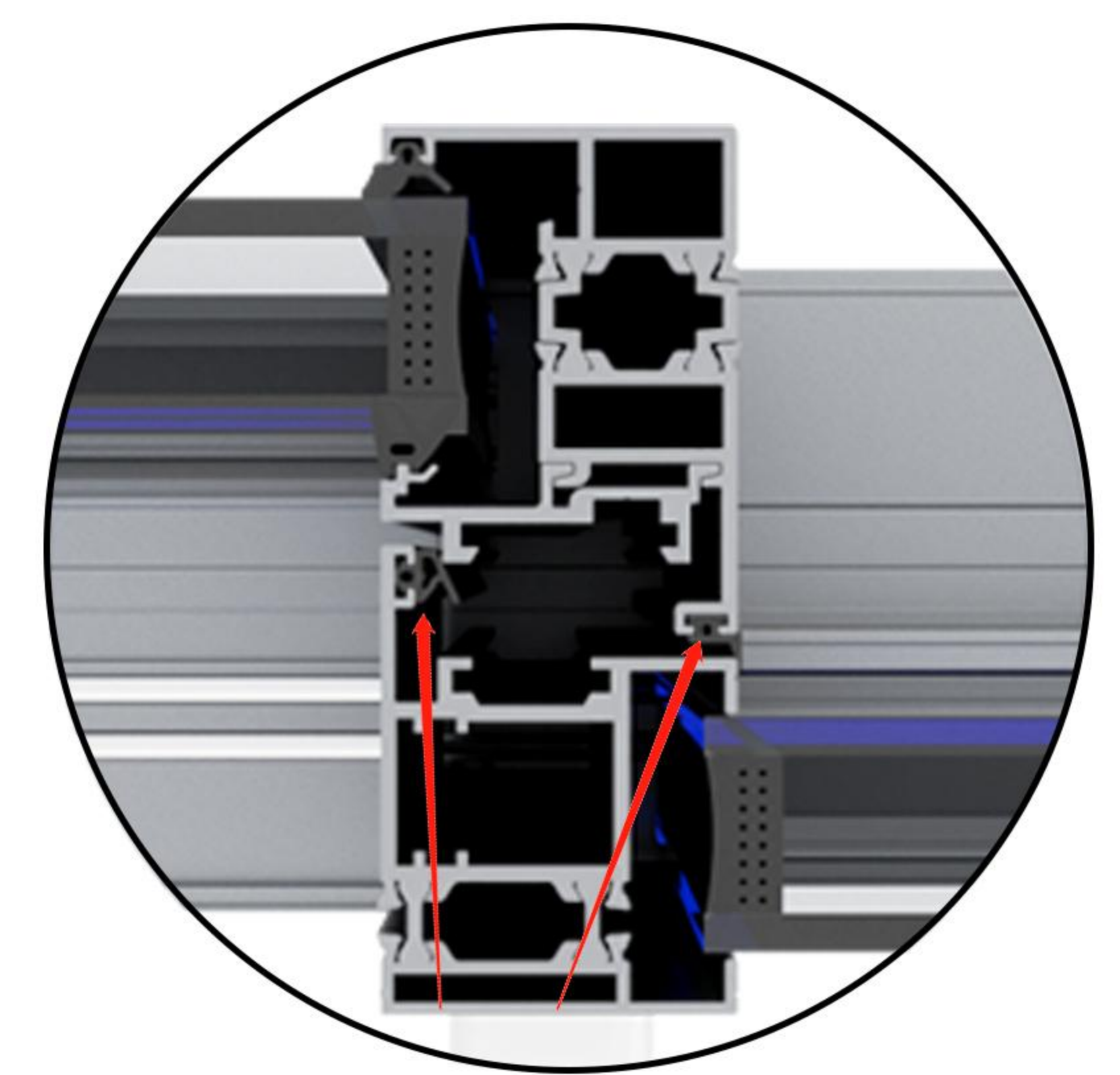
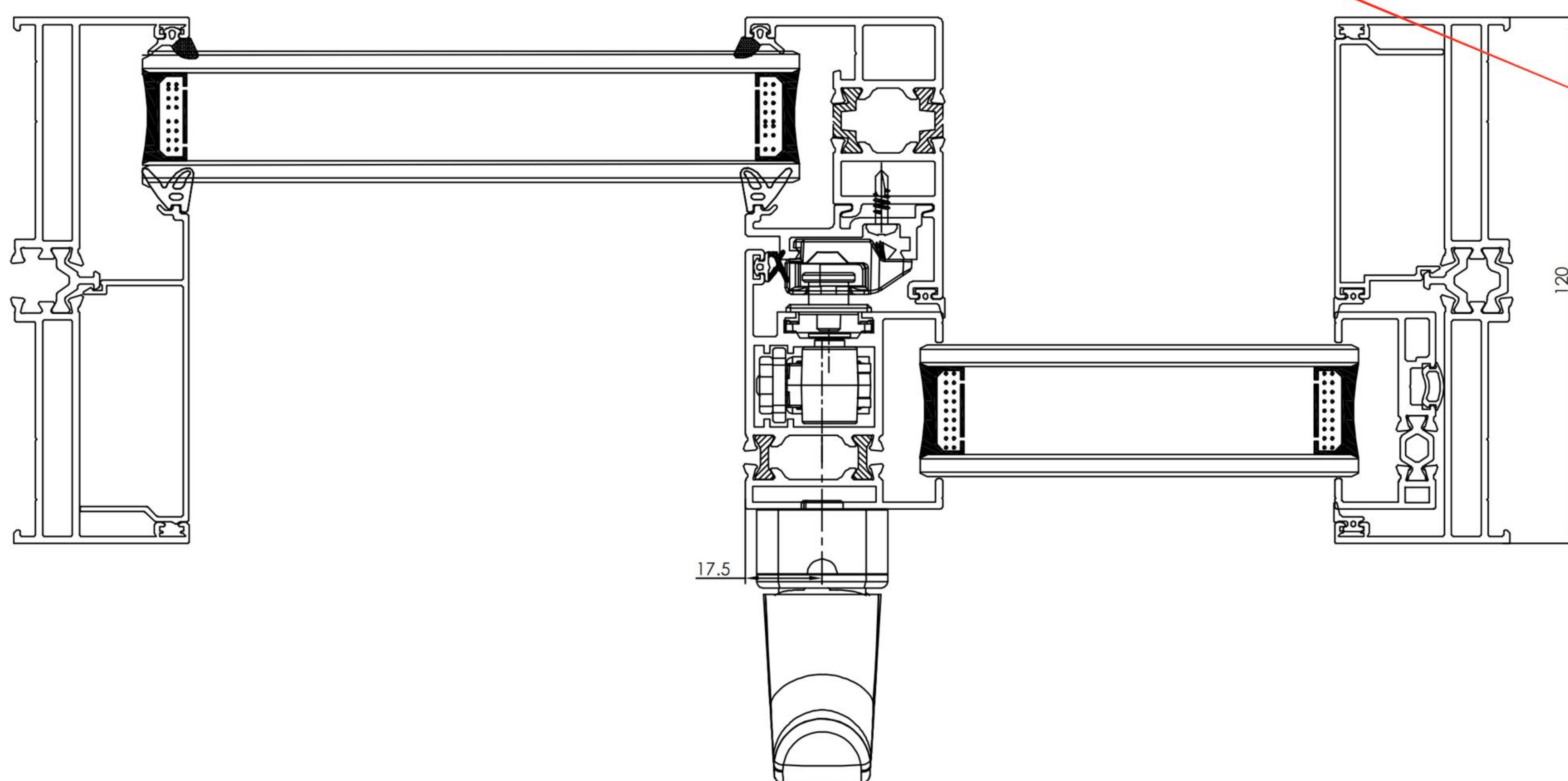
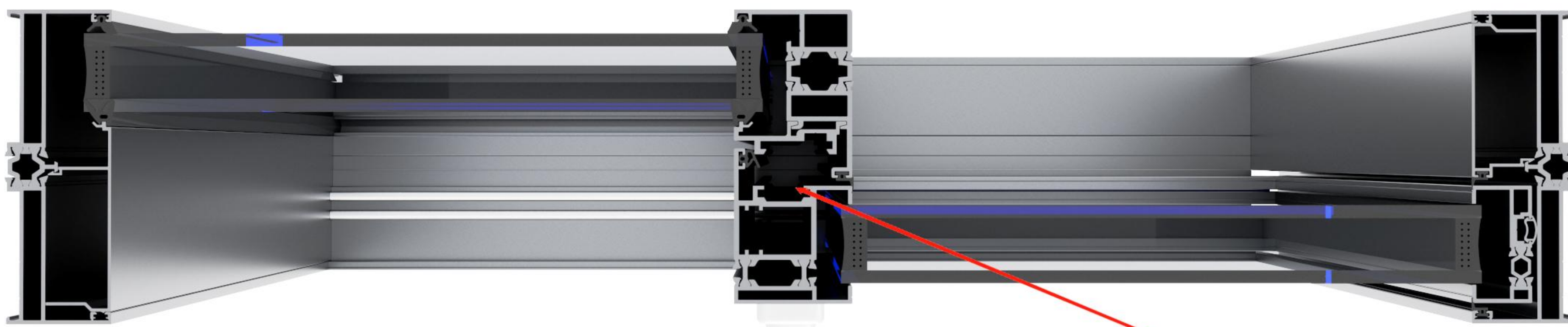
Lifting sliding windows allow you to control the amount of ventilation you want. You can open the window slightly for a gentle breeze or open it wider for more substantial airflow.



Double Waterproof



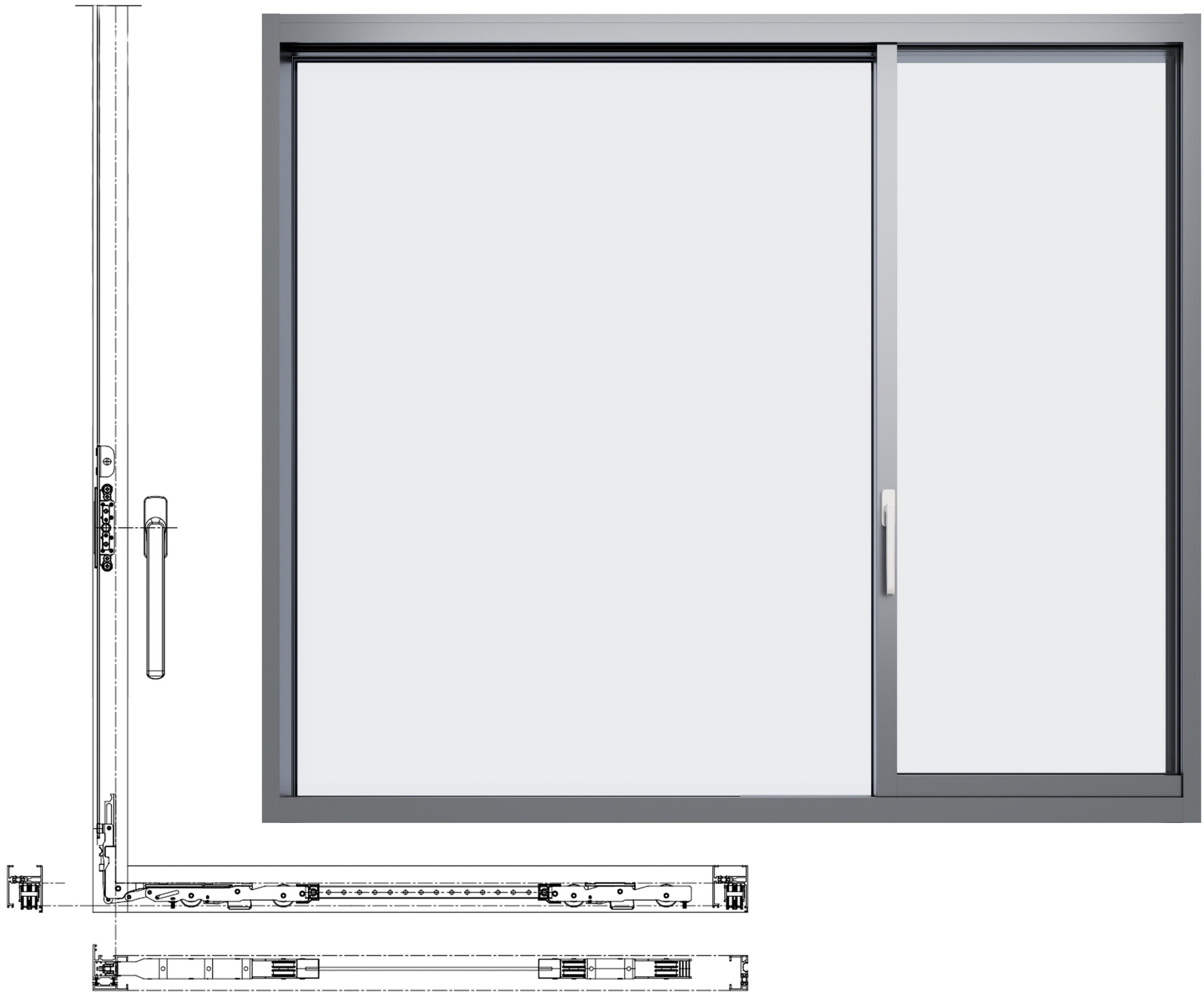
Double Waterproof



Double Waterproof

The locking system is located in the middle frame of the window sash, when properly installed, can provide good airtightness and weather resistance.



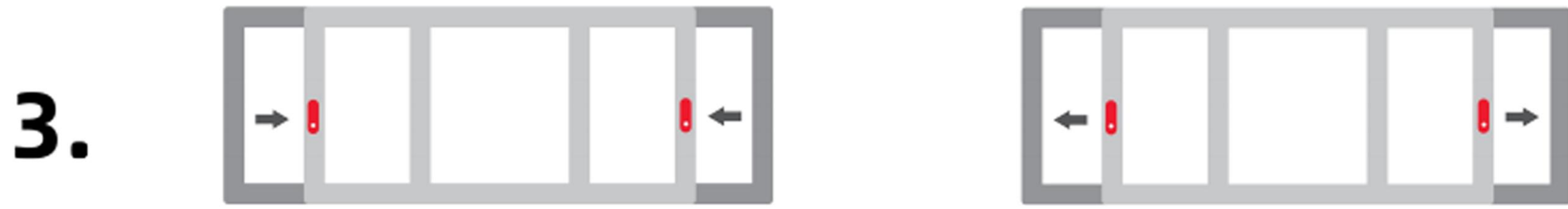


The double track push-pull design makes the lifting sliding sash window slide smoother, also have greatly increased the size of the lifting sliding sash. Make the Windows more breathable

● Certified by CE/AAMA/CSA



Opening Style





ITEM	Glass ID	Glass Structure	结构厚度 Thickness	U-Value Btu/(h·ft ² ·°F)	Infrared barrier GIR	Ultraviolet barrier UVR	Light transmittance VT	Sound insulation coefficient dB	Heat gain coefficient SHGC	Performance Score
①	Double-L		5 12 5	0.243	76.3%	44.0%	81.0%	34.21	0.587	
		2 Glass,1 space	THK							
②	Triple-L		5 12 5 12 5	0.193	82.0%	55.0%	73.0%	36.79	0.538	
		3 Glass,2 space	THK							
③	Double-SL		5 12 5	0.228	94.9%	72.0%	70.0%	33.21	0.402	
		2 Glass,1 space	THK							
④	Triple-SL		5 12 5 12 5	0.181	95.7%	77.0%	63.6%	36.79	0.369	
		3 Glass,2 space	THK							
⑤	Triple-LL		5 12 5 0.76 5	0.227	98.1%	99.0%	45.0%	41.09	0.288	
		3 Glass,2 space,1 Lam	THK							
⑥	Triple-2L		5 12 5 12 5	0.136	92.0%	63.0%	68.0%	36.79	0.487	
		2 Glass,1 space	THK							
⑦	Quadruple-2L		5 16 5 16 5 0.76 5	0.024	99.0%	99.0%	62.0%	45.37	0.344	
		4 Glass,2 space,1 Lam	THK							

