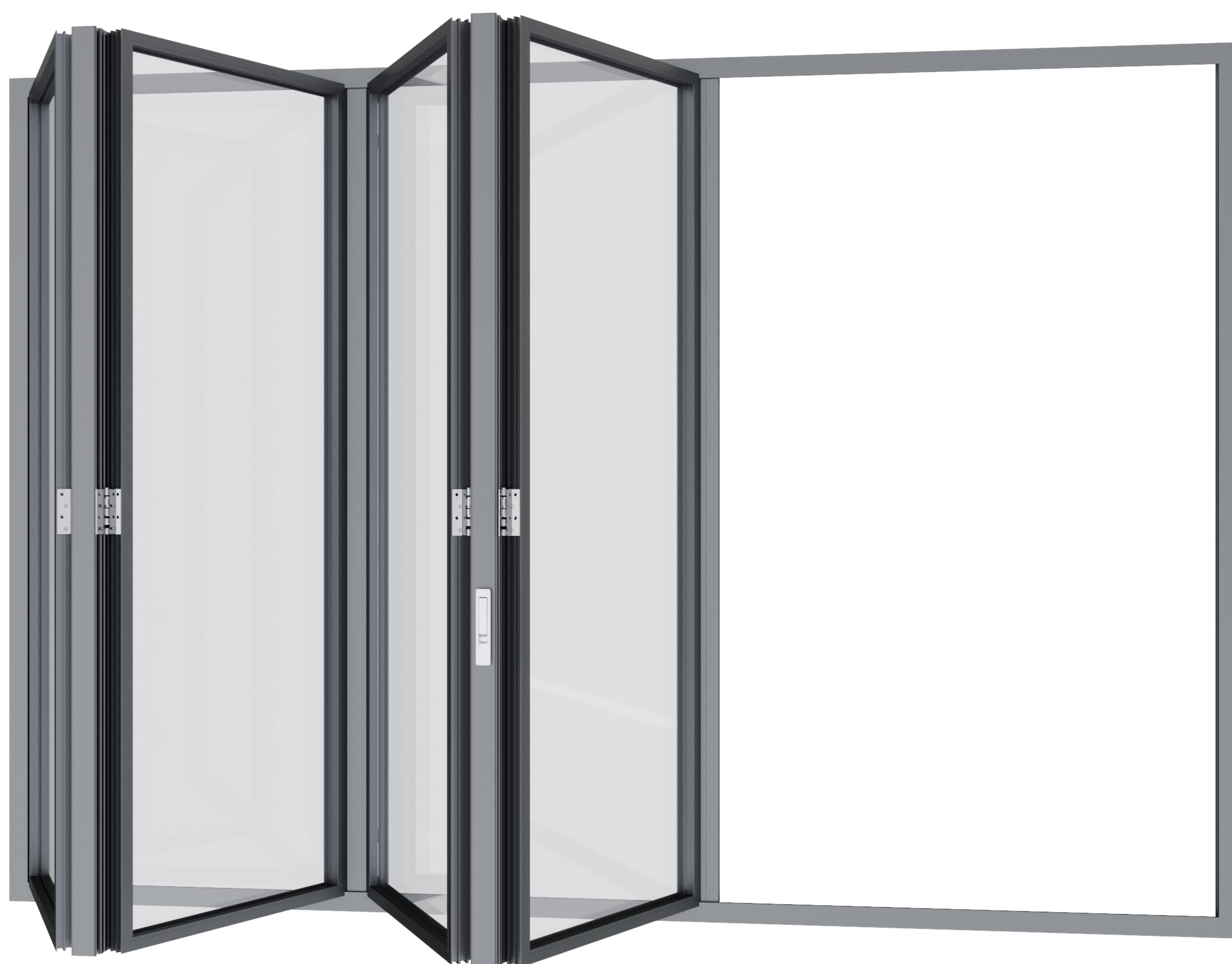




Sainty Ultra wide folding door (ultra wide series 5m~ 15m)

Full name: Ultra wide heat insulation multiple double sealing folding door



3-channel seal (patent)

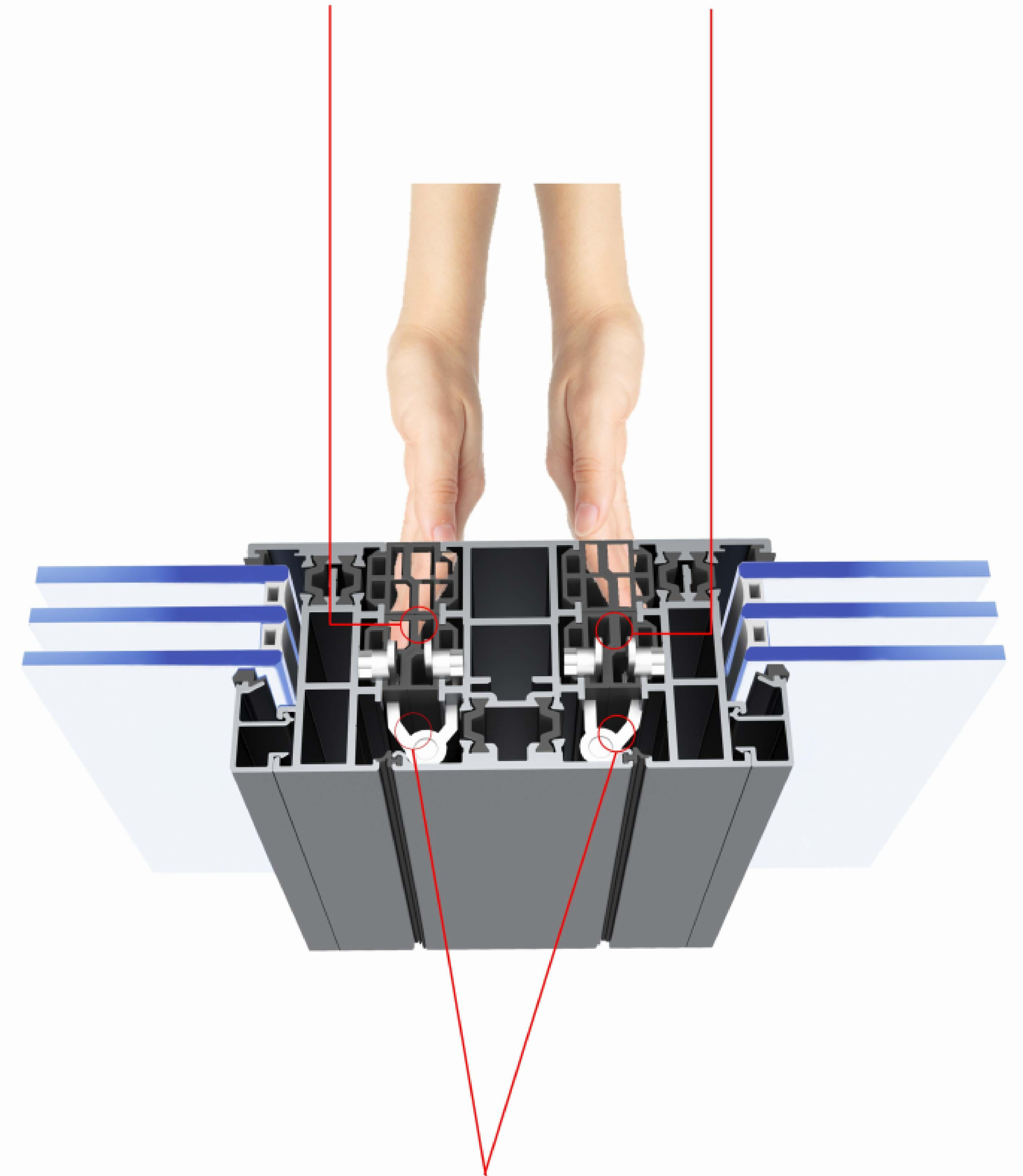
Double-sided anti-clamp design (patent)

Hurricane resistant design



Sainty Patent & Special Designs

No Worried Clamping Hands
The special gaskets will protect your hands even clamping your hands.



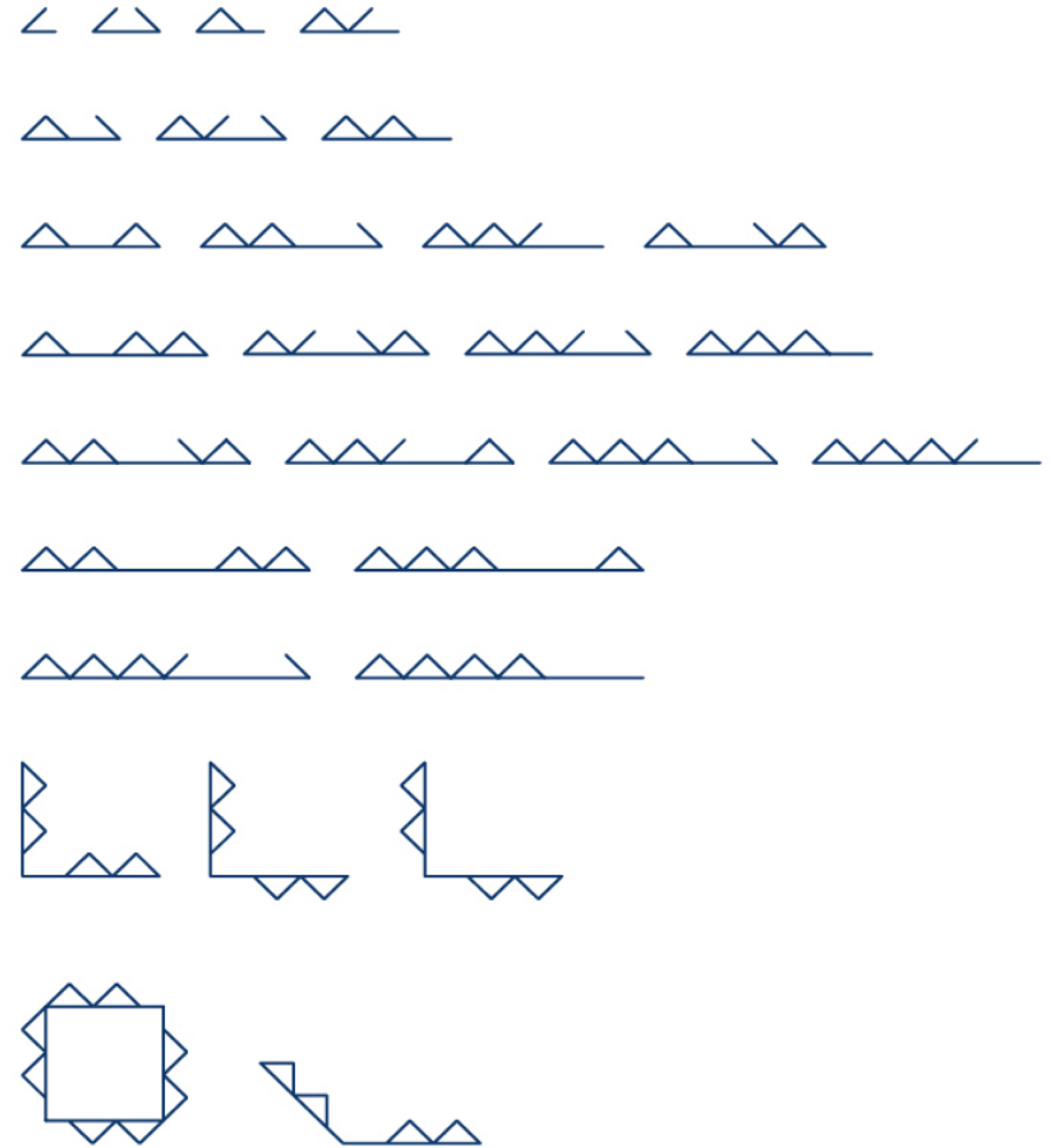
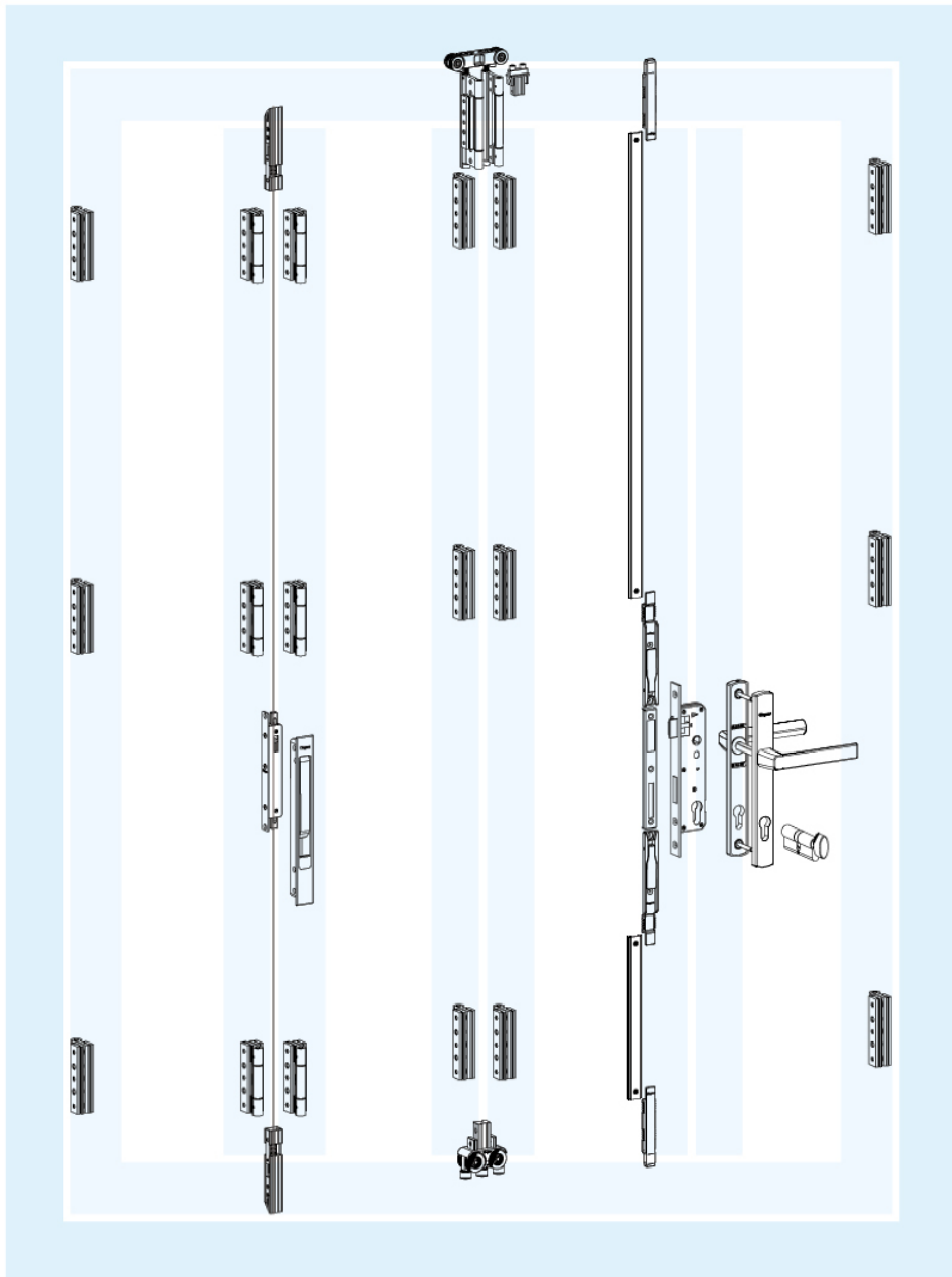
Super Waterproof
The hinges are invisible inside of the extrusions and nowhere let the water come in.

Hidden folding door system solution

隱藏式折疊門系統方案

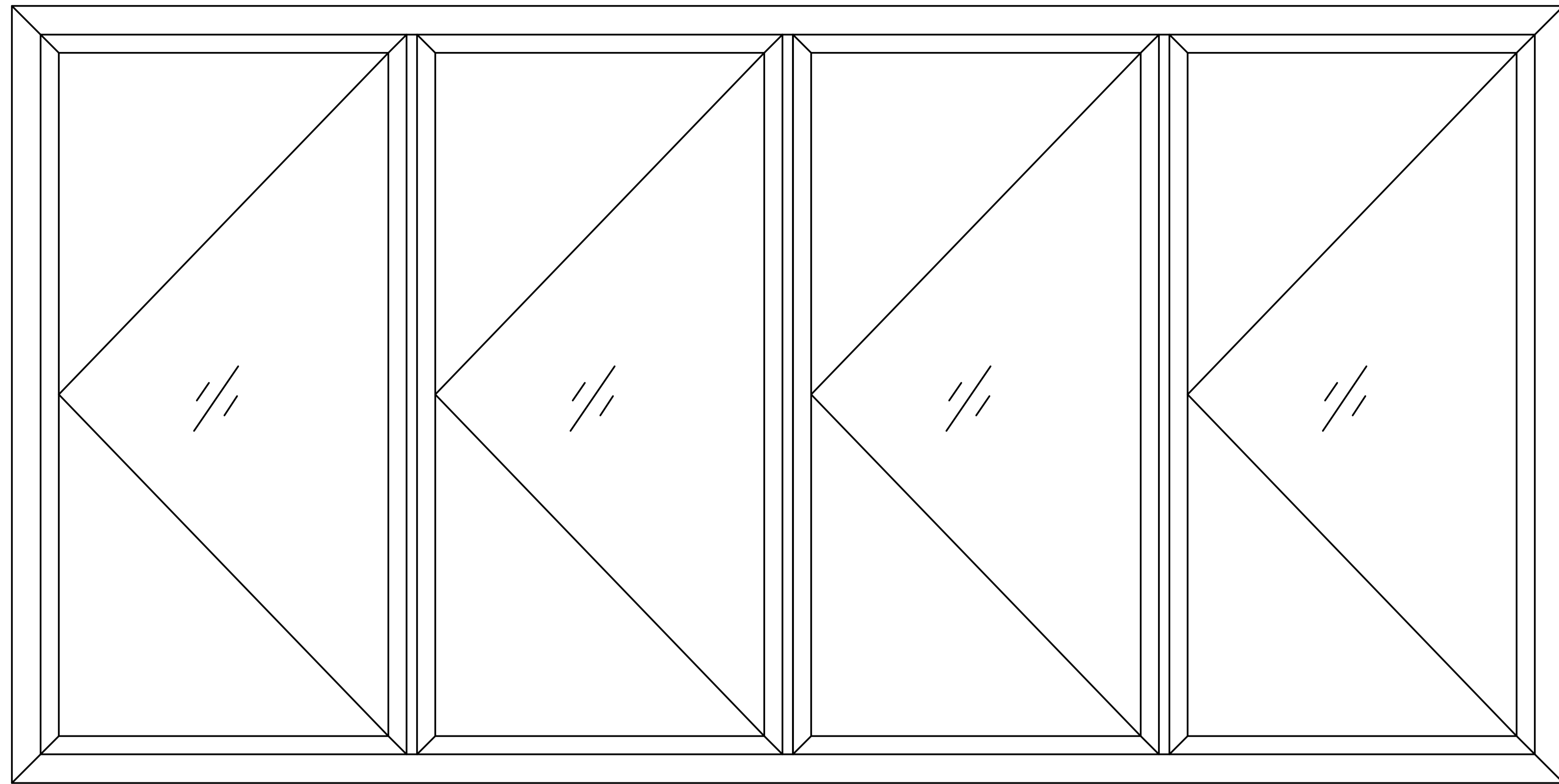
The folding door series products break through the hidden structure of the existing patent hidden hinged folding door, ingeniously avoid the existing technical barriers, and through the new structural design and semi-automatic locking system, the folding door can be opened and closed easily.

本折疊門系列產品突破現有專利隱藏合頁式折疊門的隱藏結構，巧妙避開現有的技術壁壘，通過全新的結構設計搭配半自動鎖閉系統，使折疊門開關操作輕鬆啓閉。

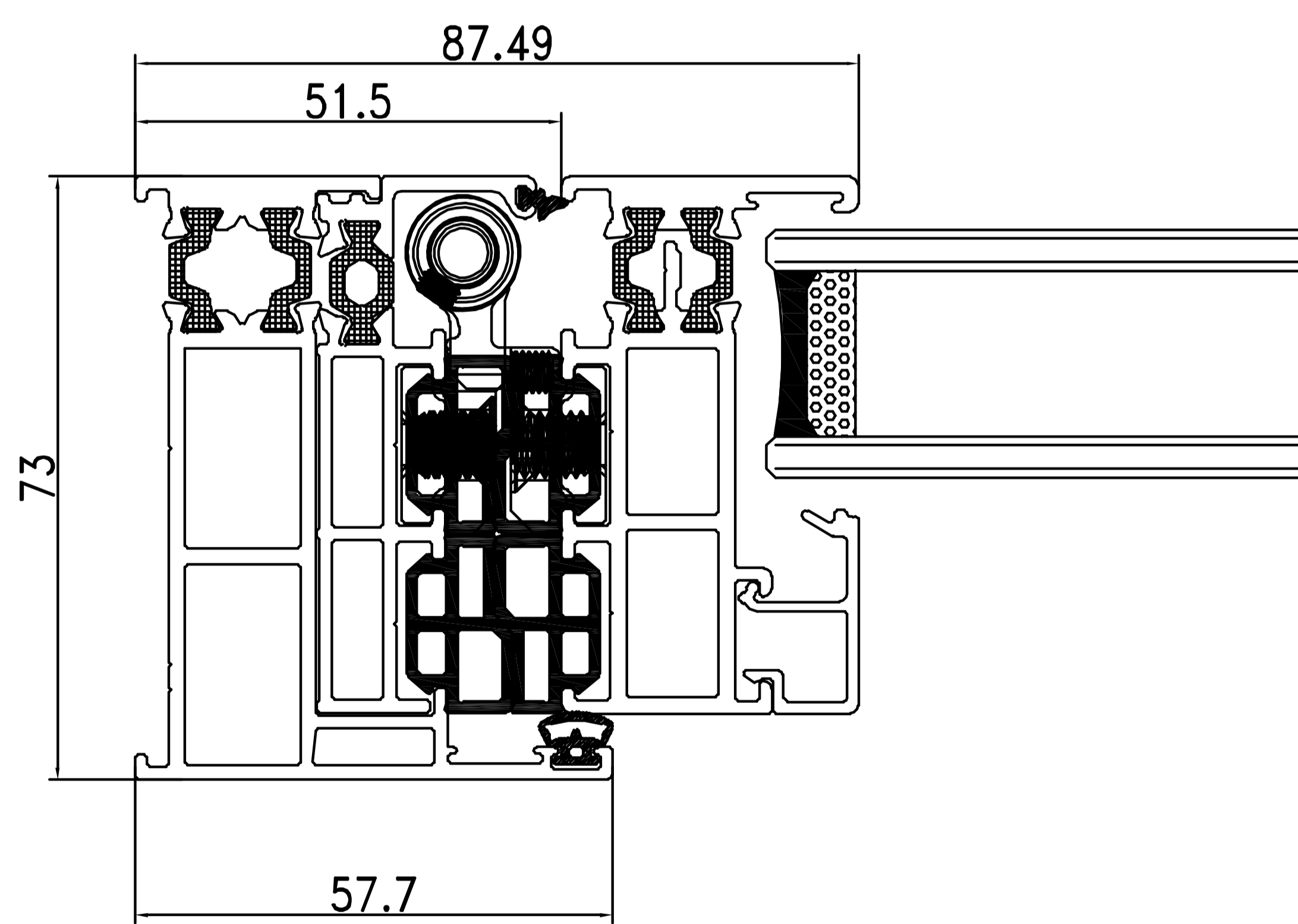


Option:440

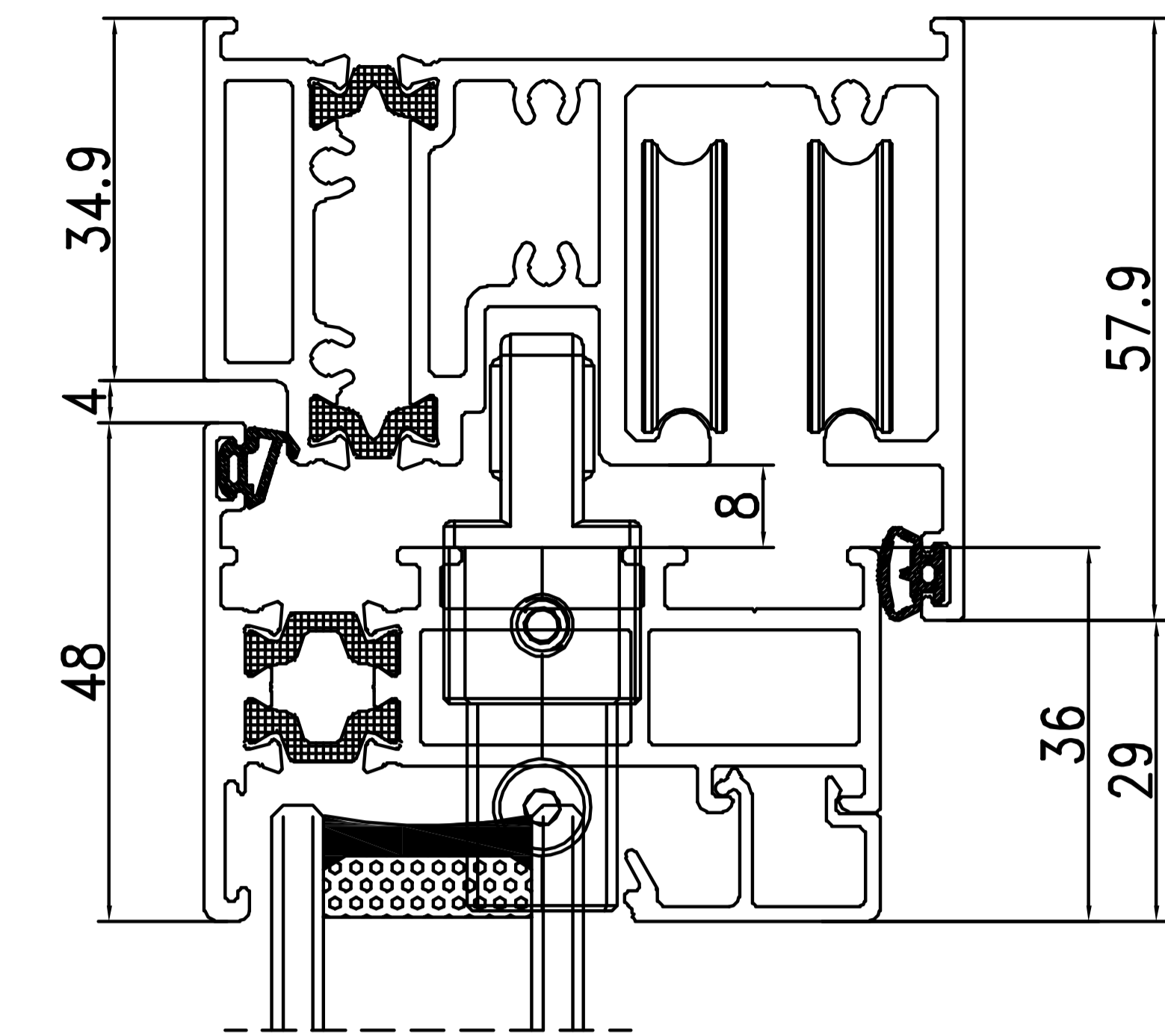
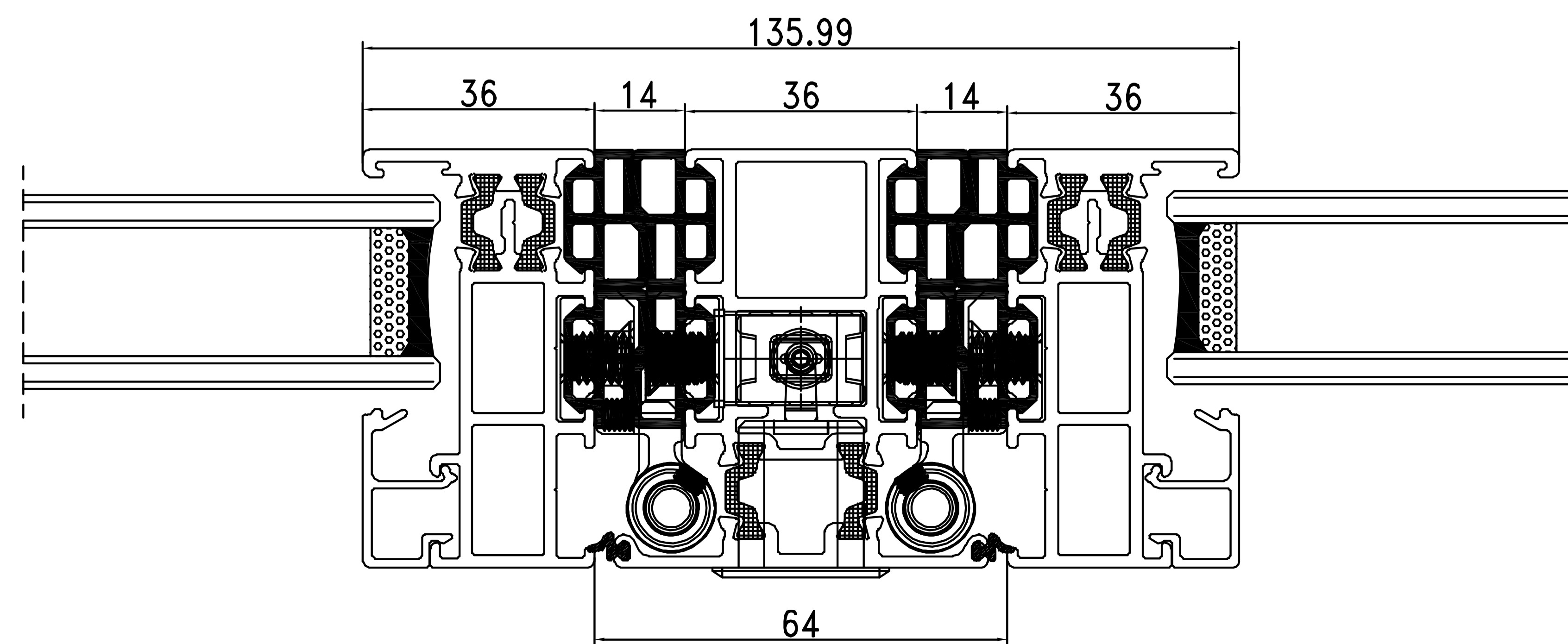
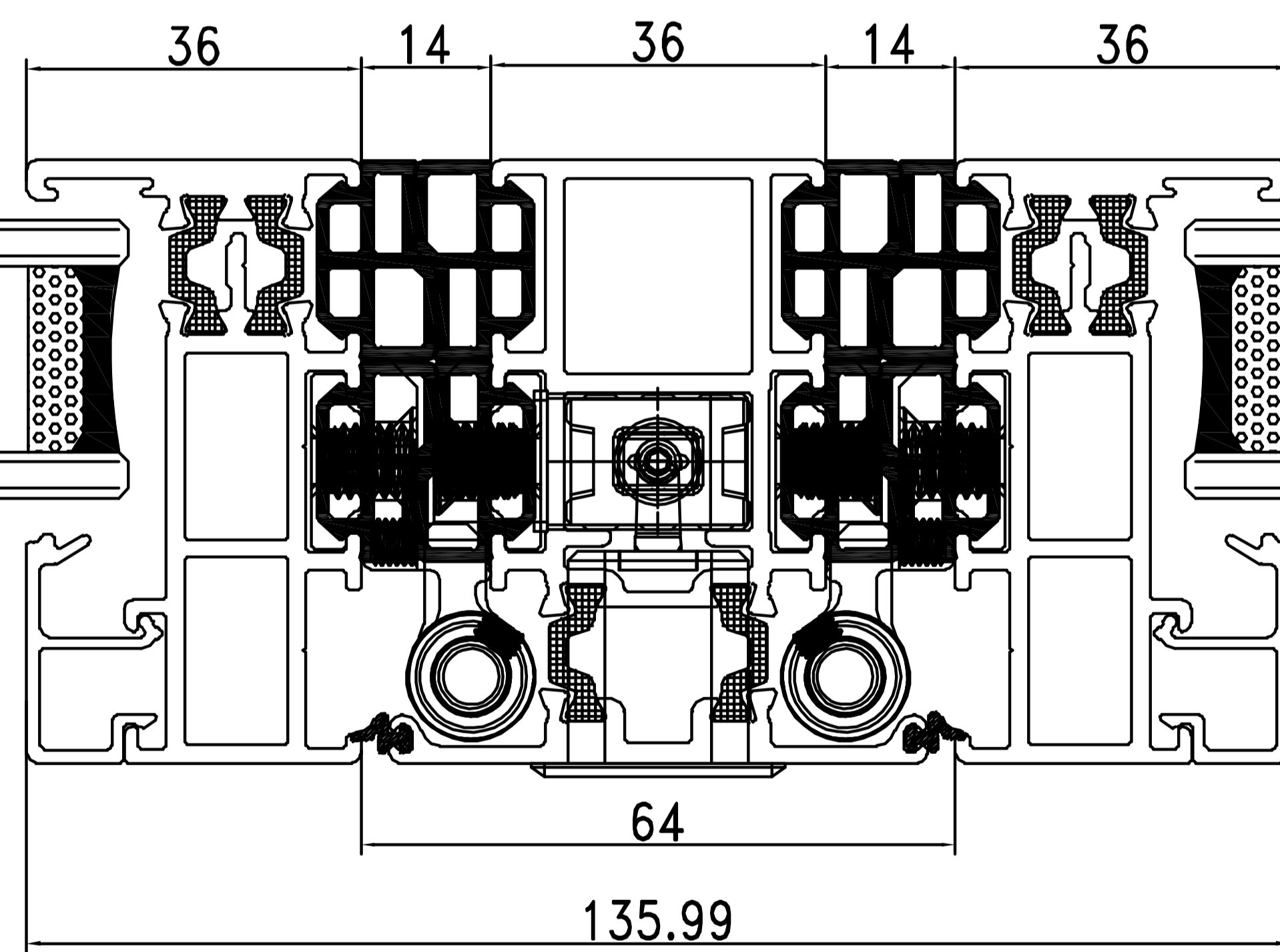
Invisible Corners Solution



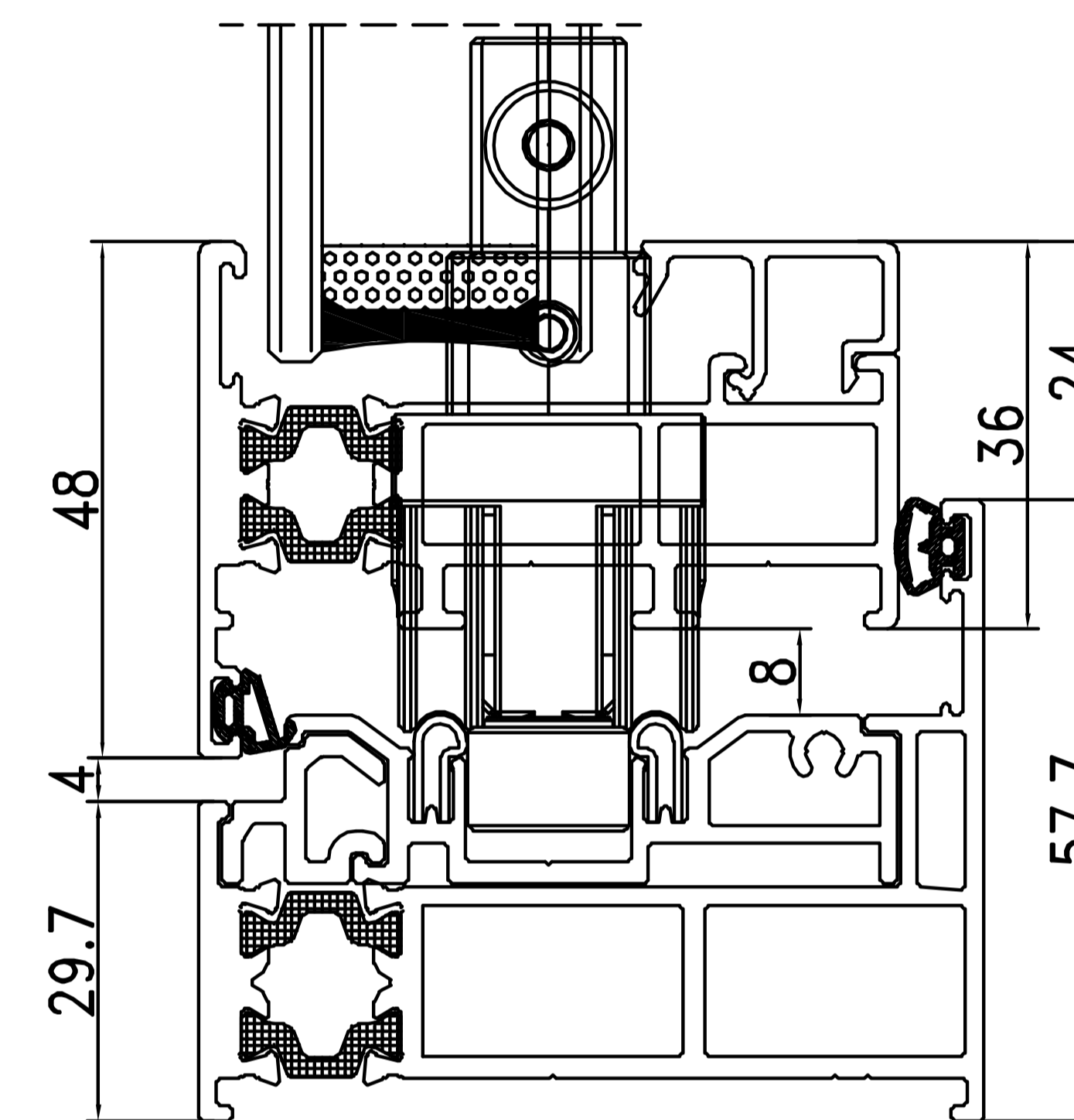
Outdoor



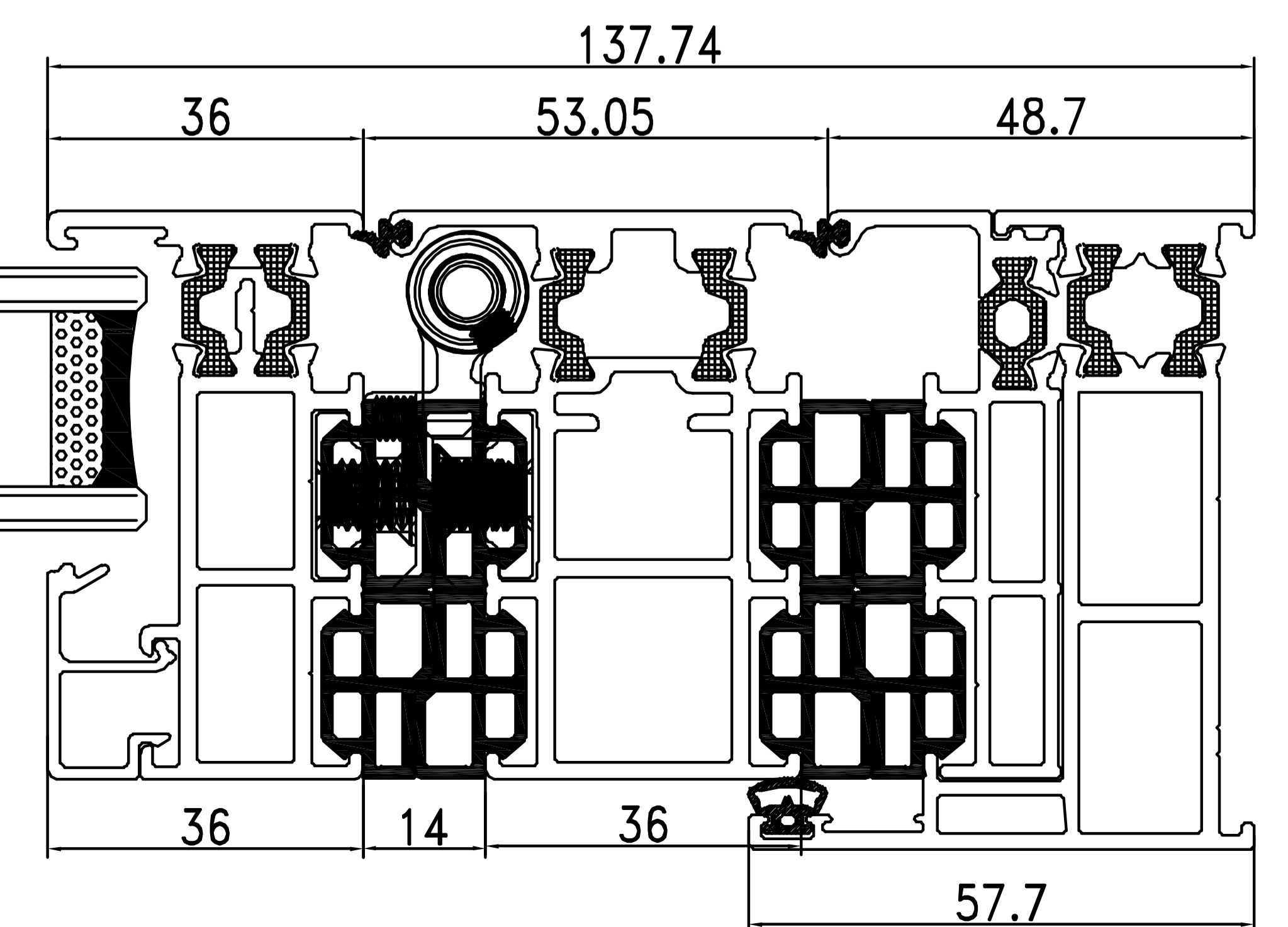
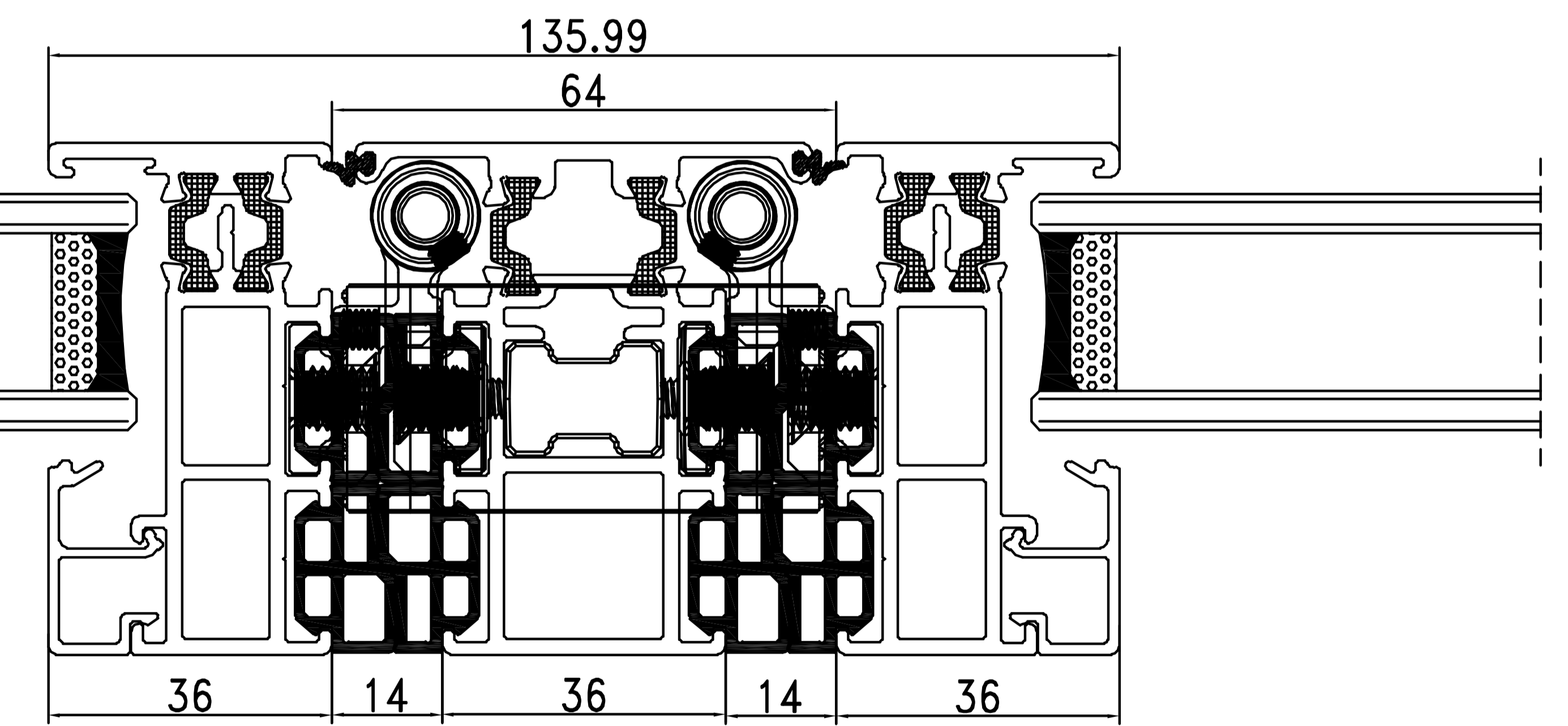
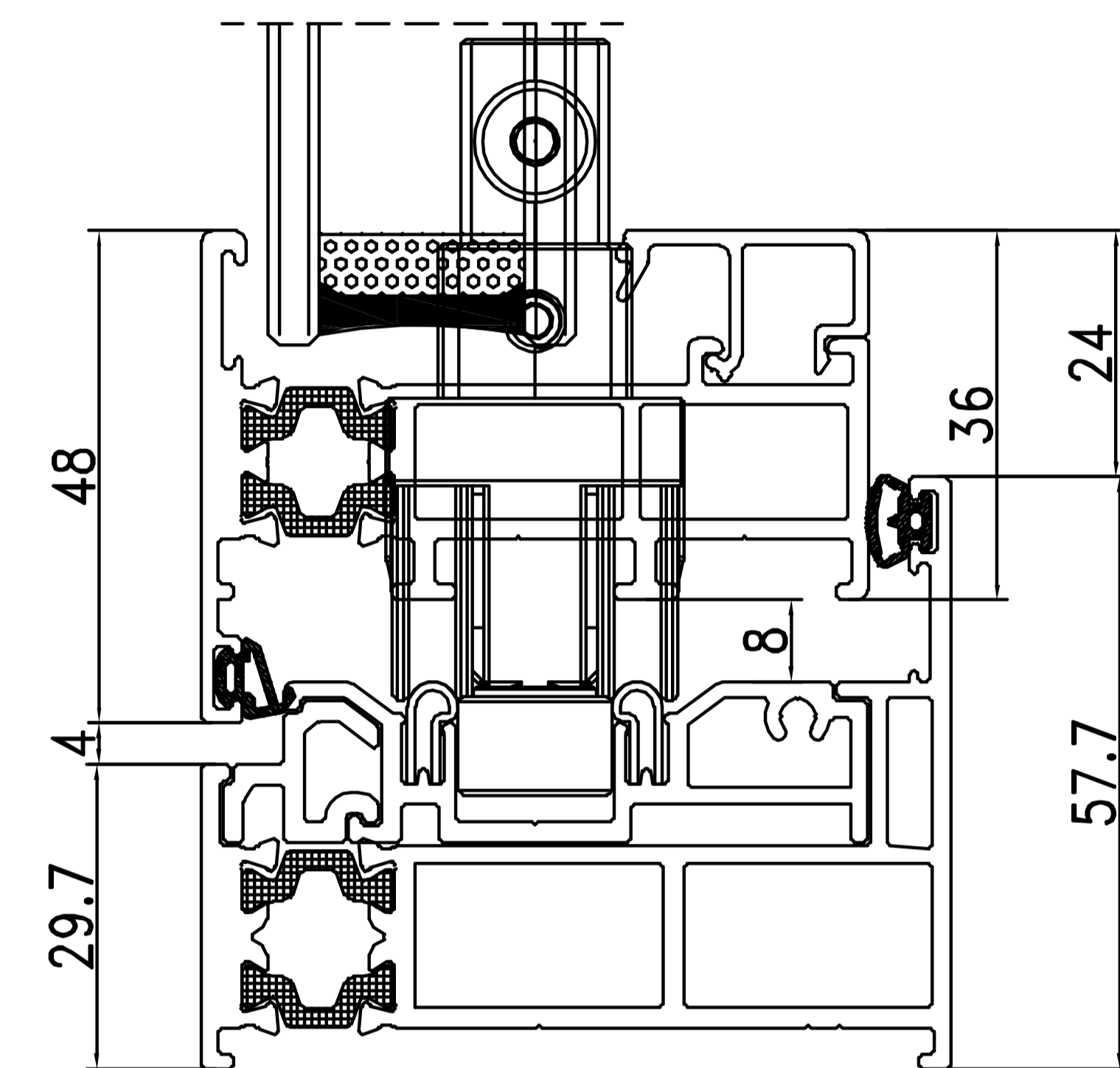
Indoor



Outdoor

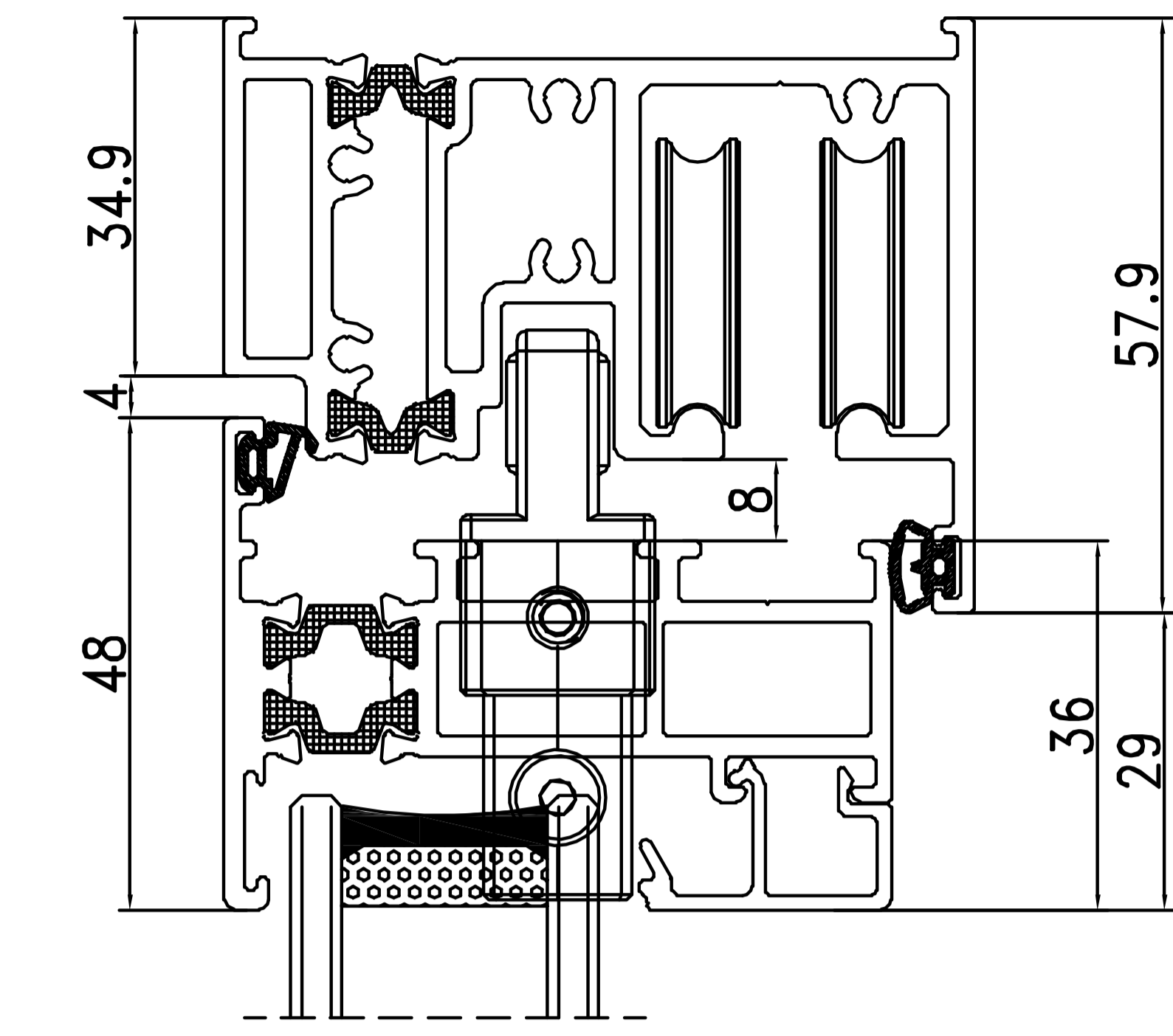
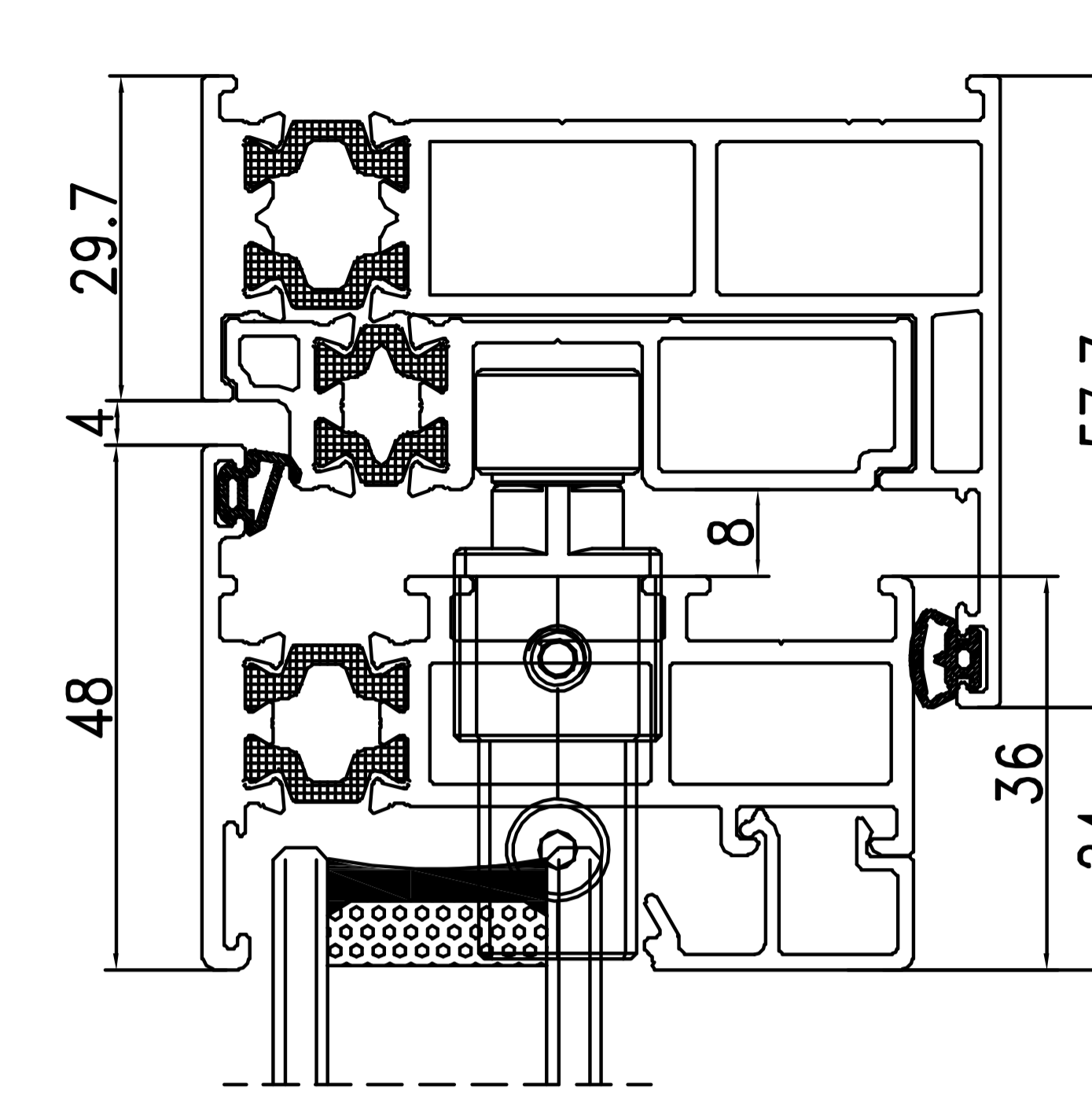
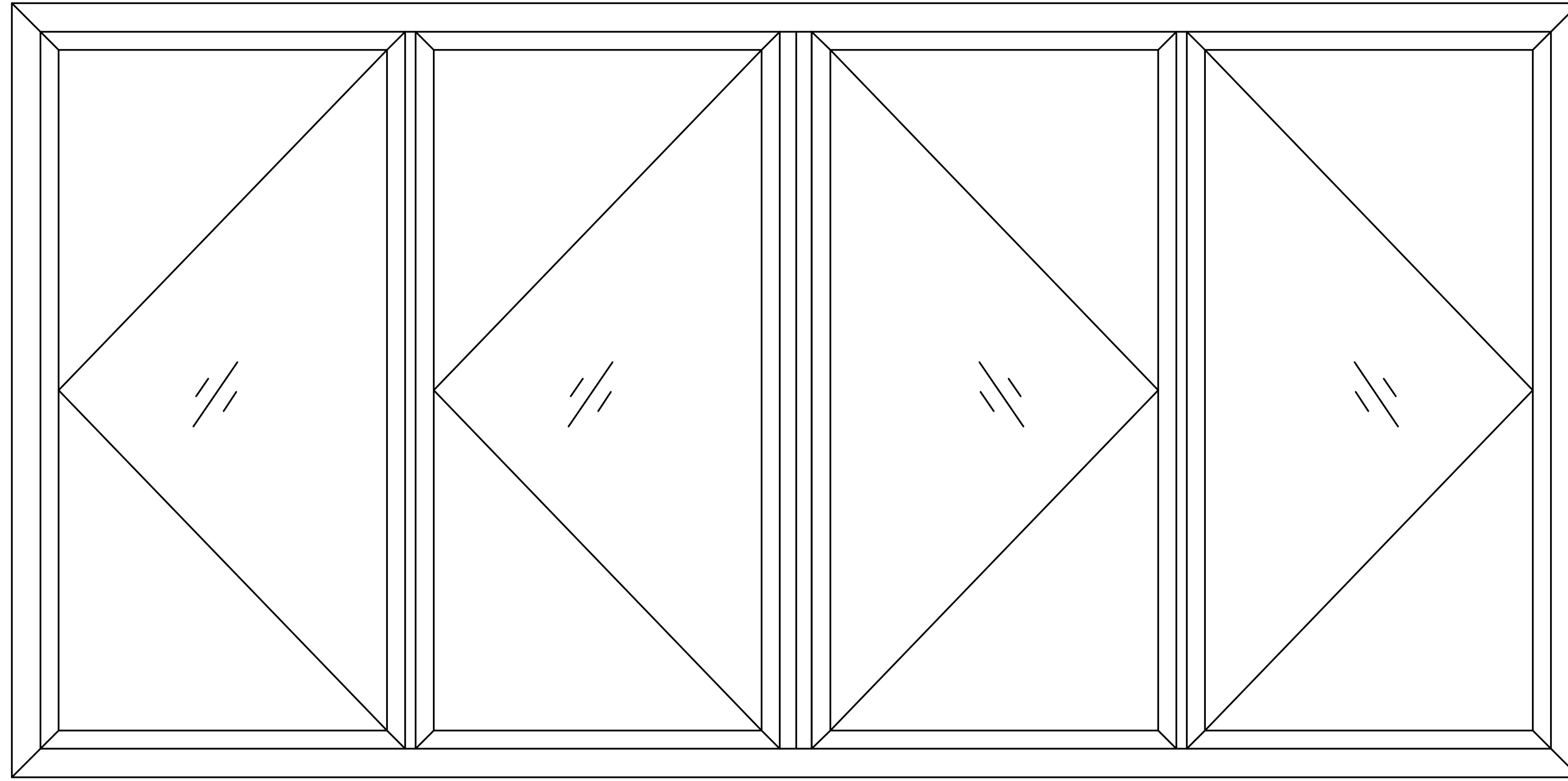


Indoor

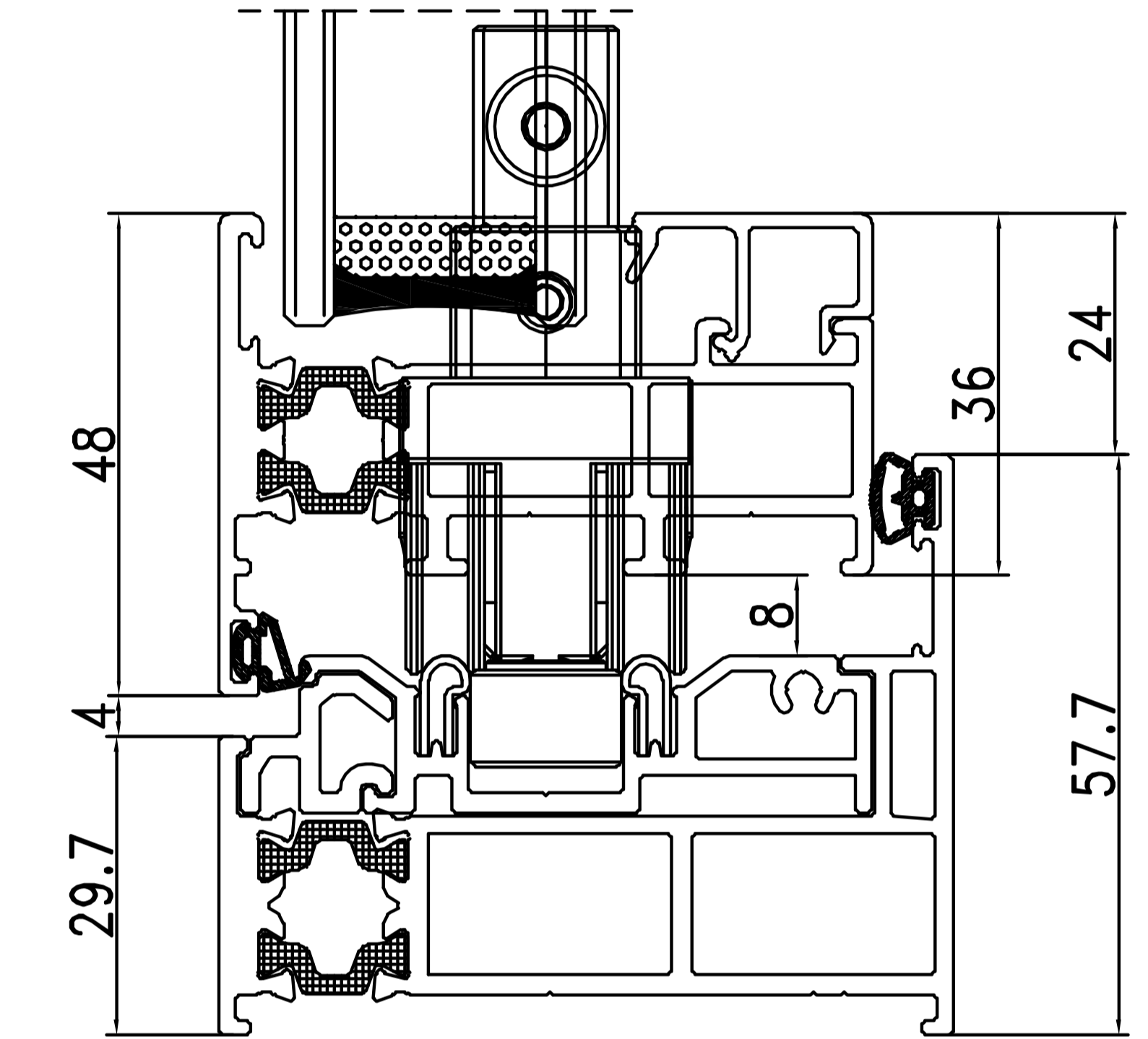
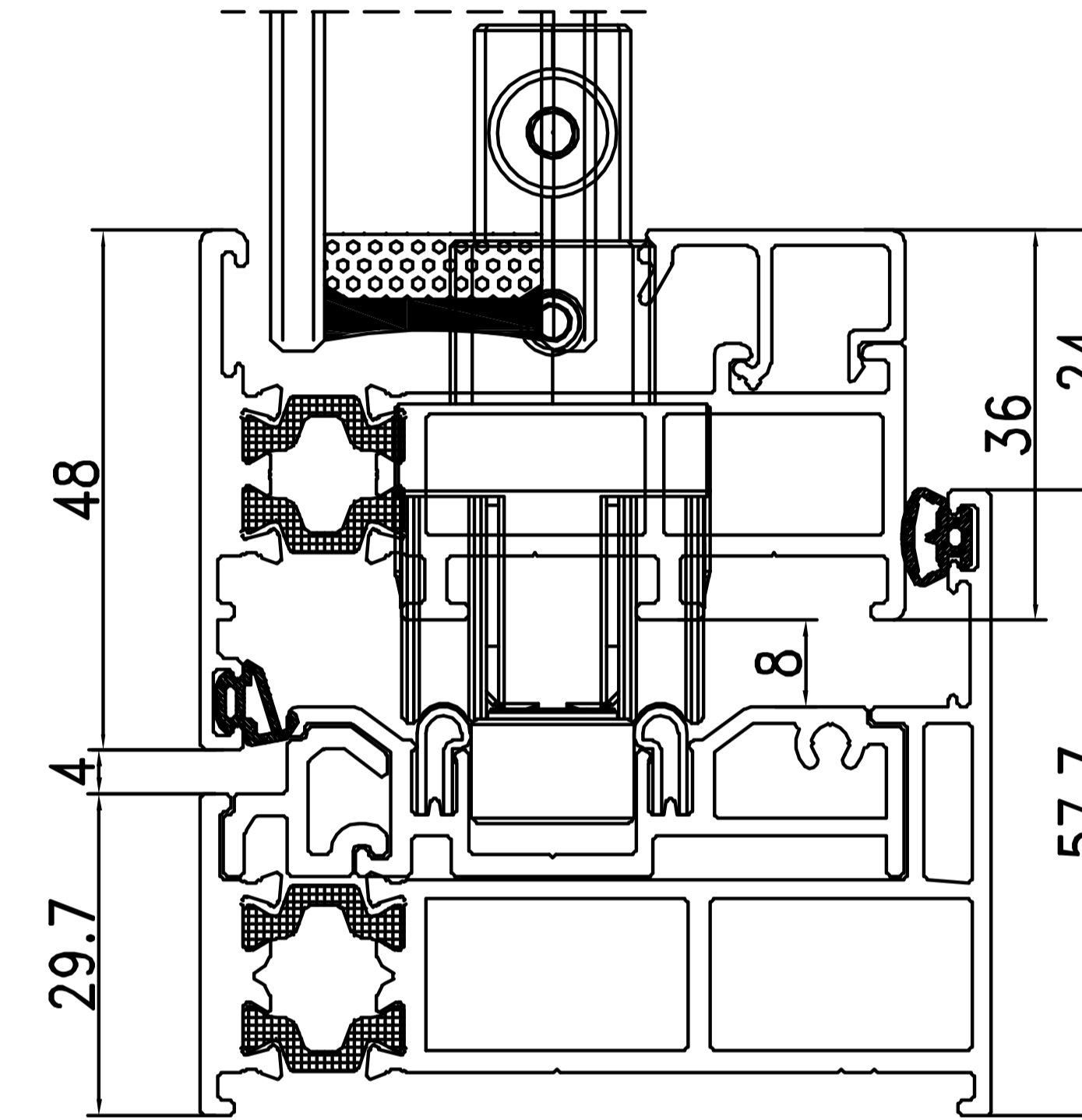


Option:422

Invisible Corners Solution

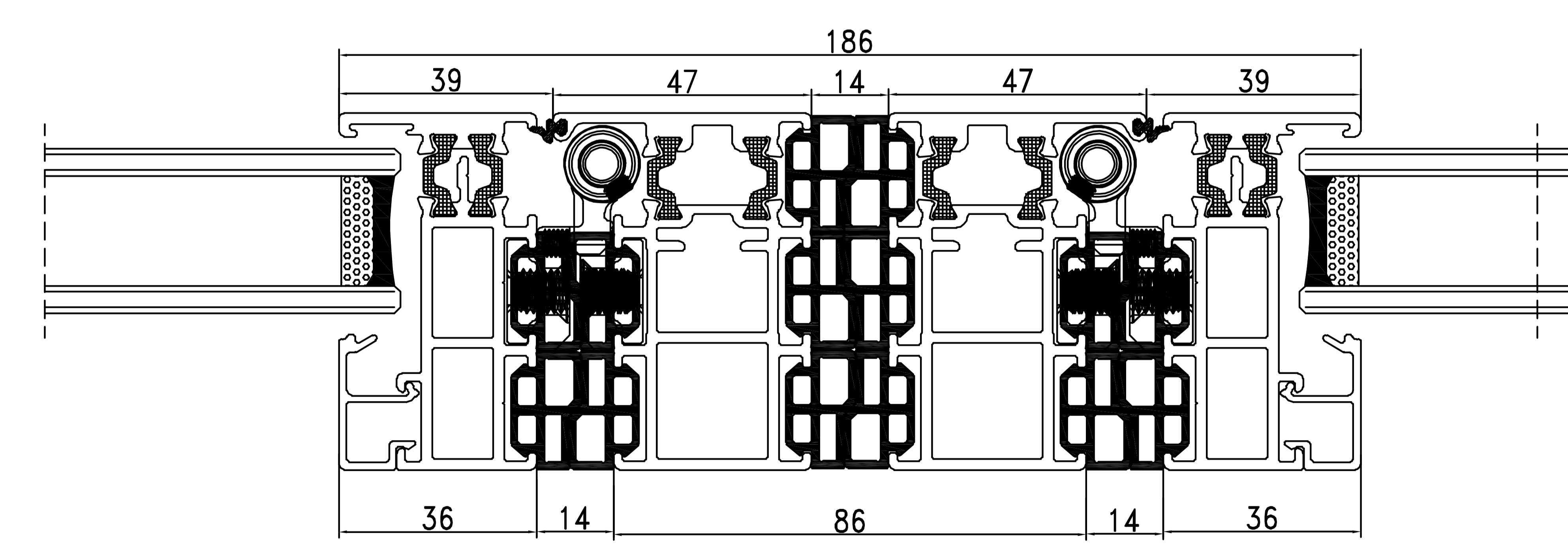
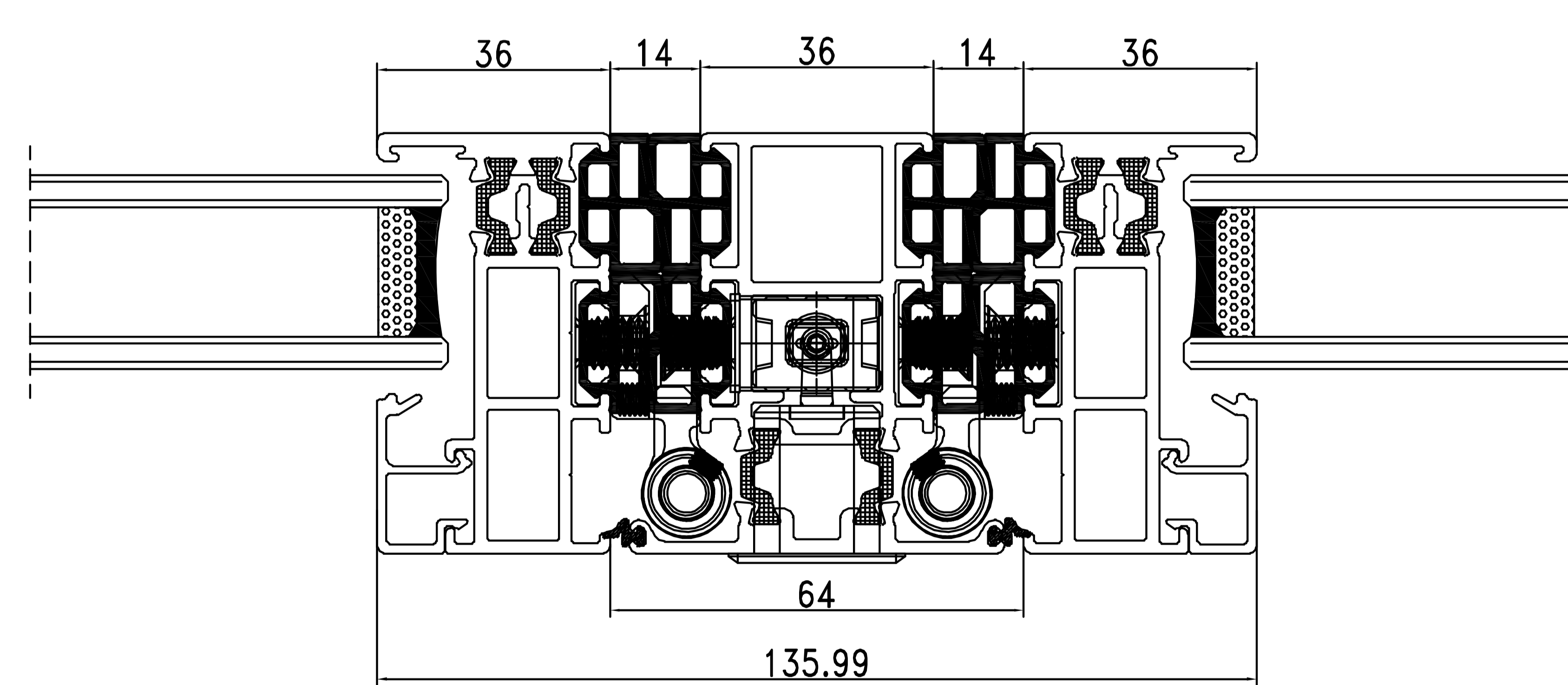
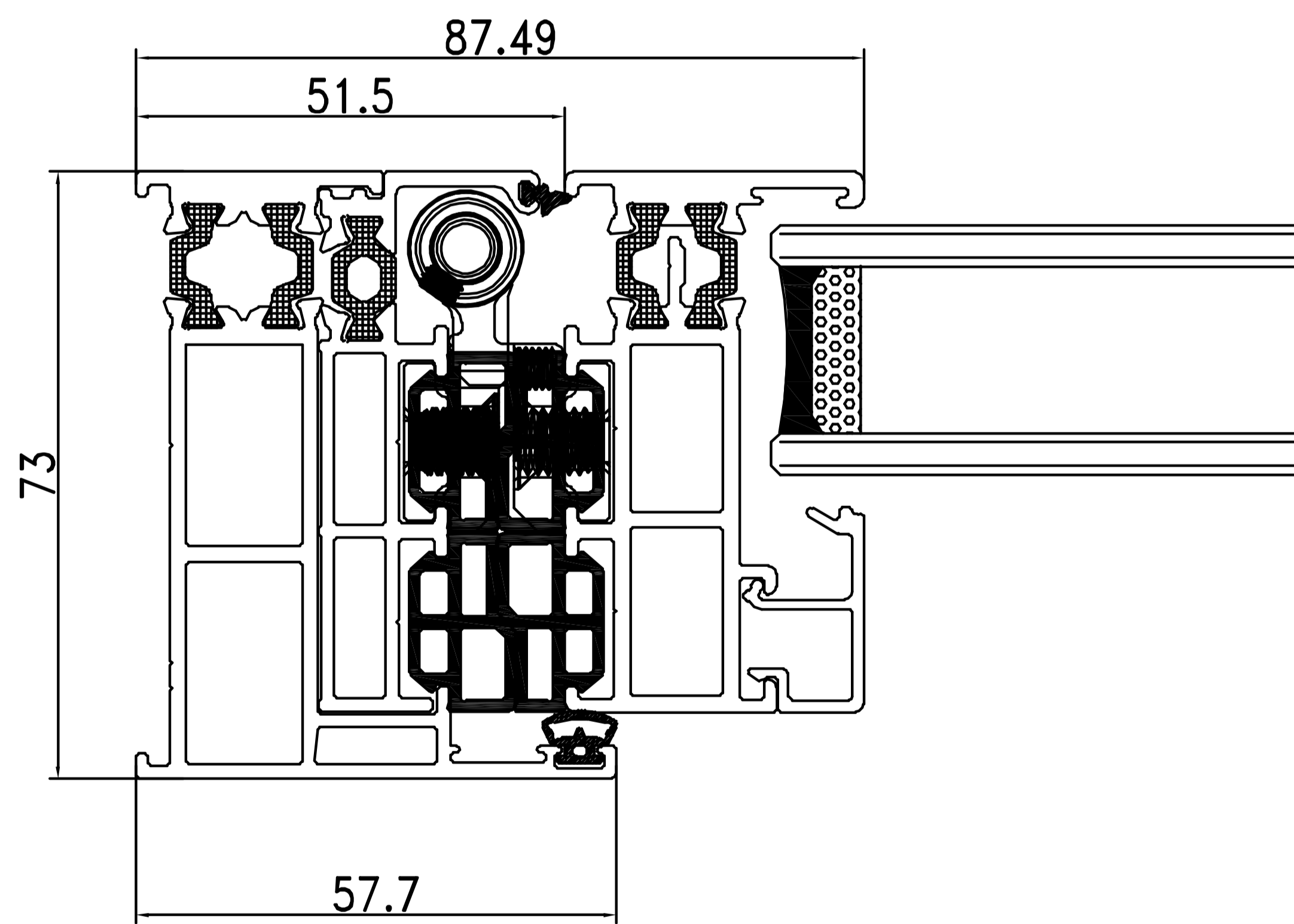


Outdoor

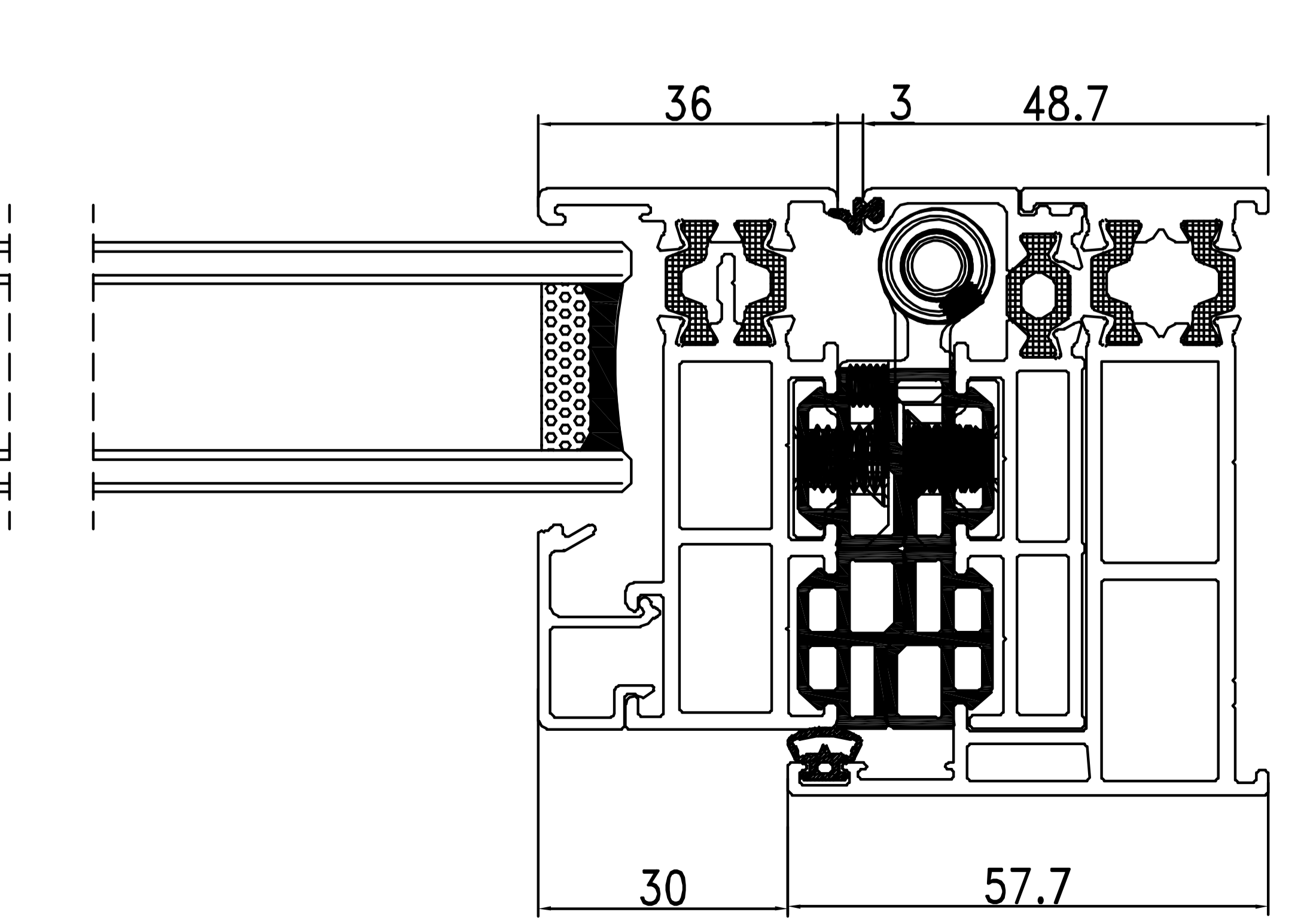
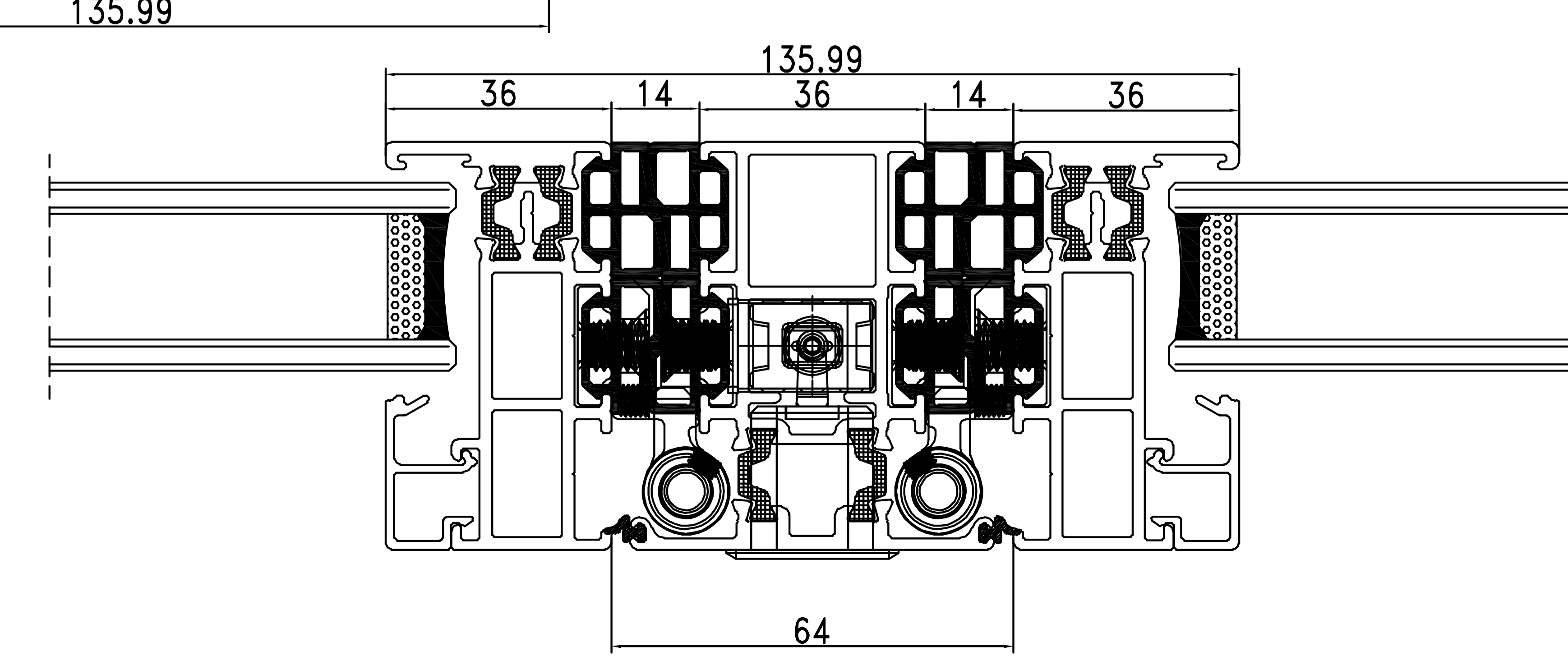


Indoor

Outdoor

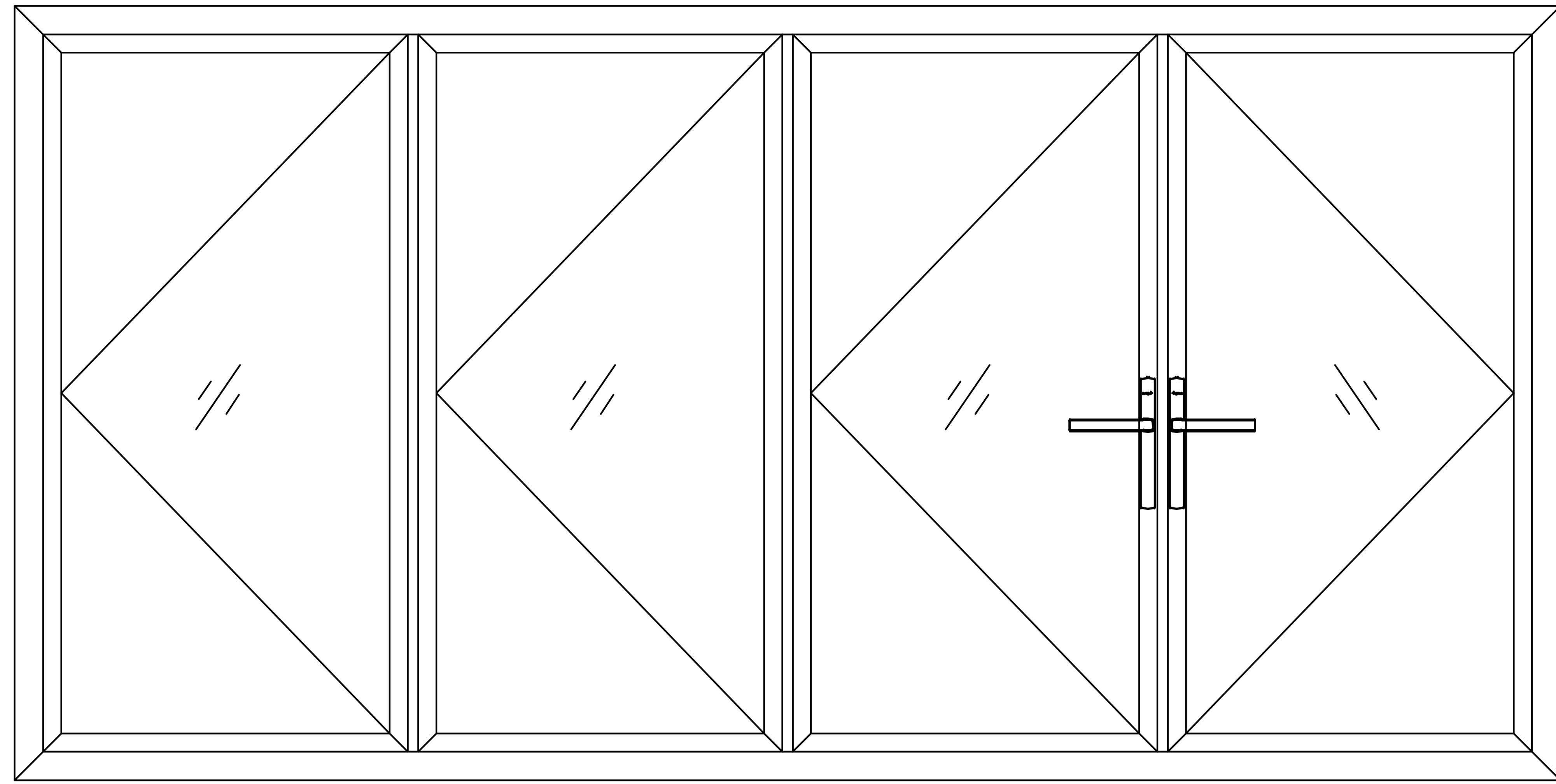


Indoor

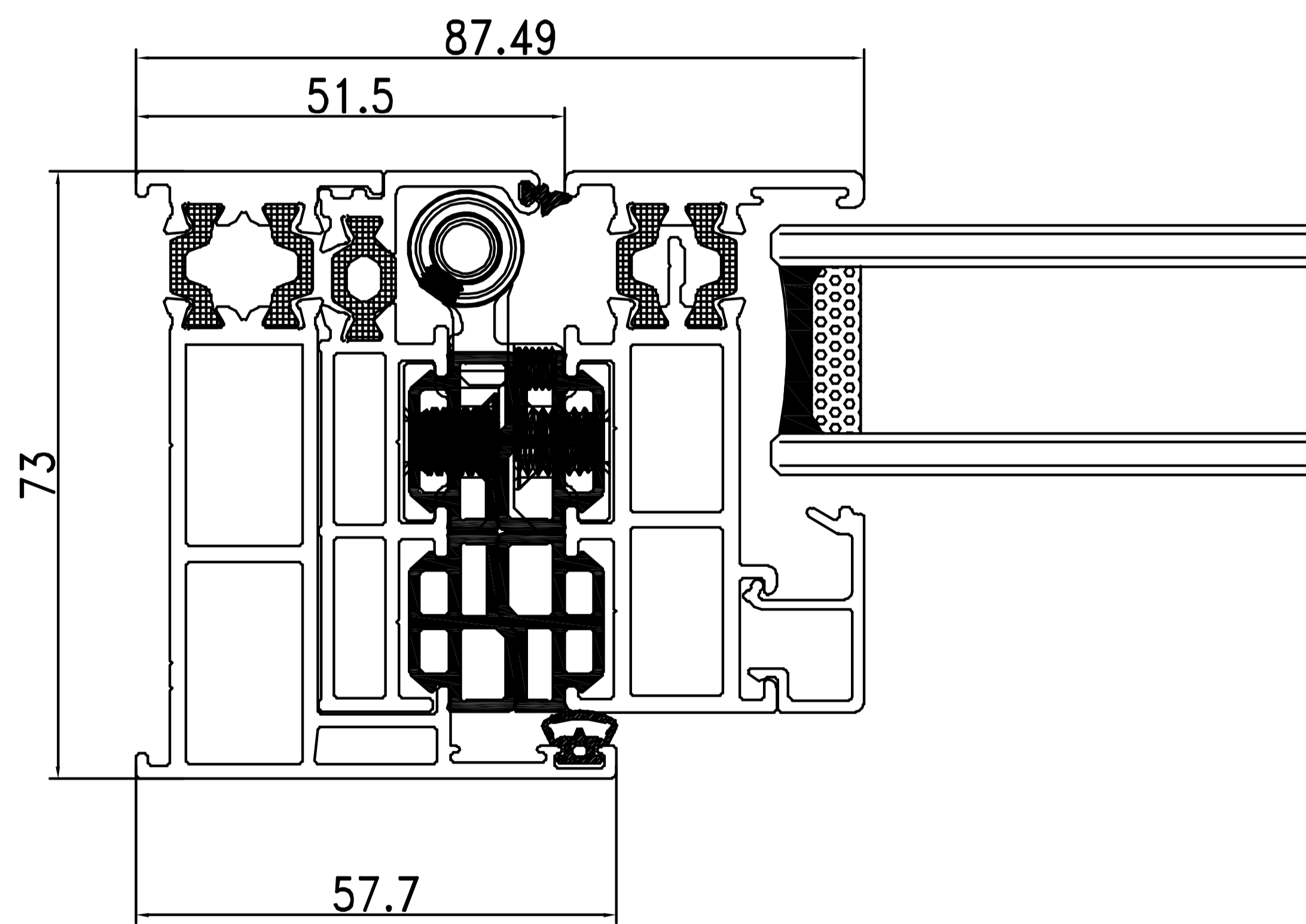


Option:431

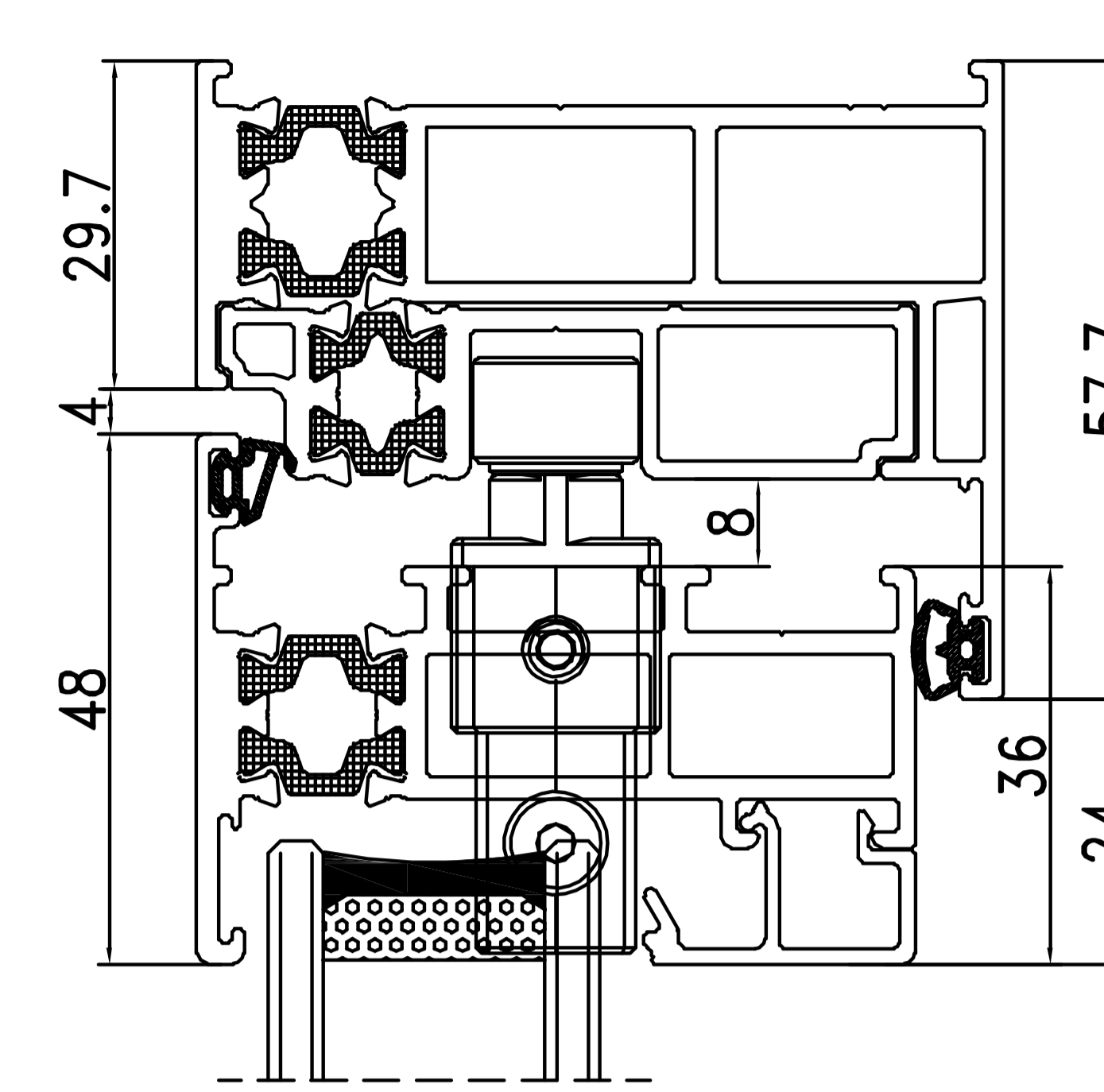
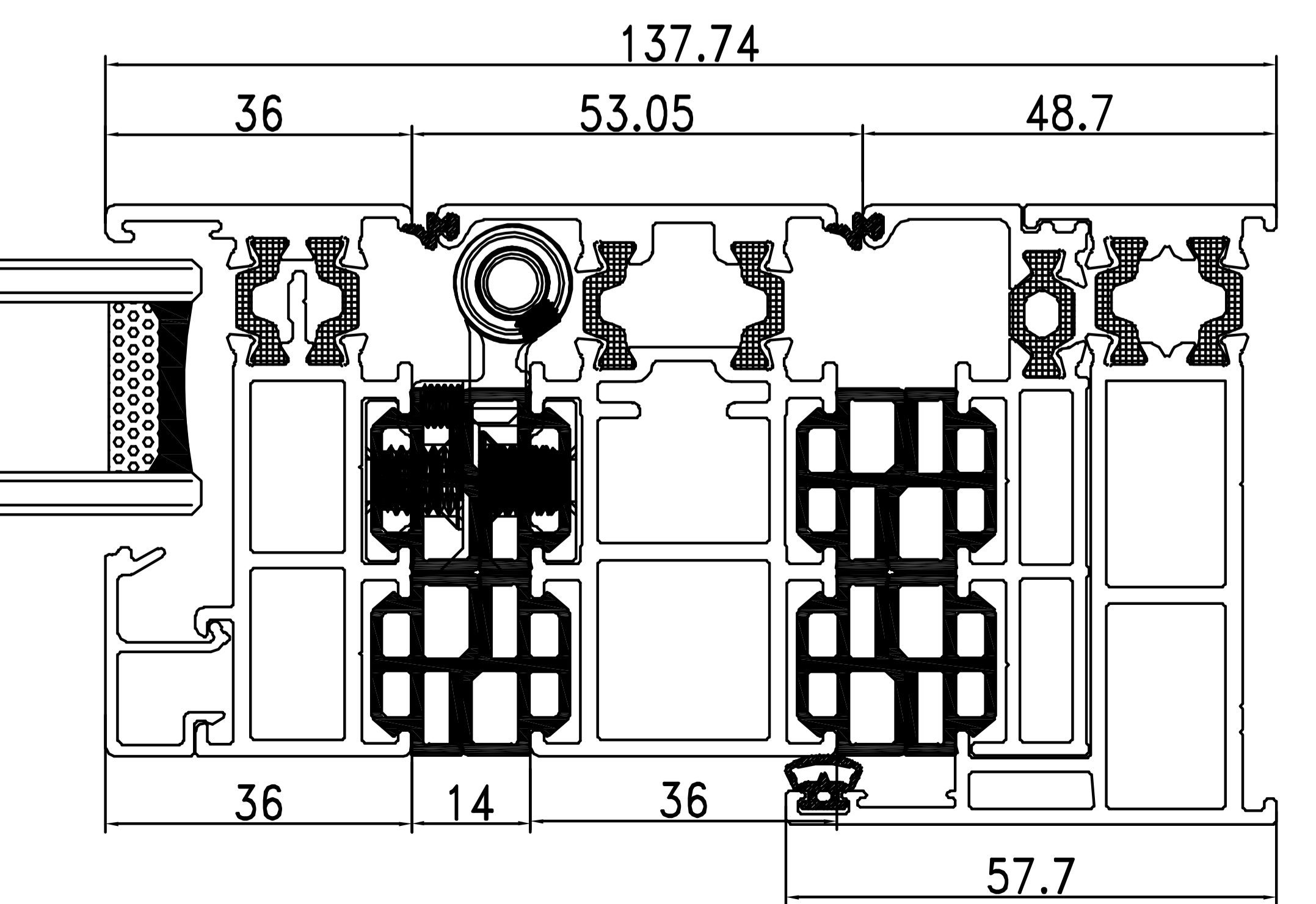
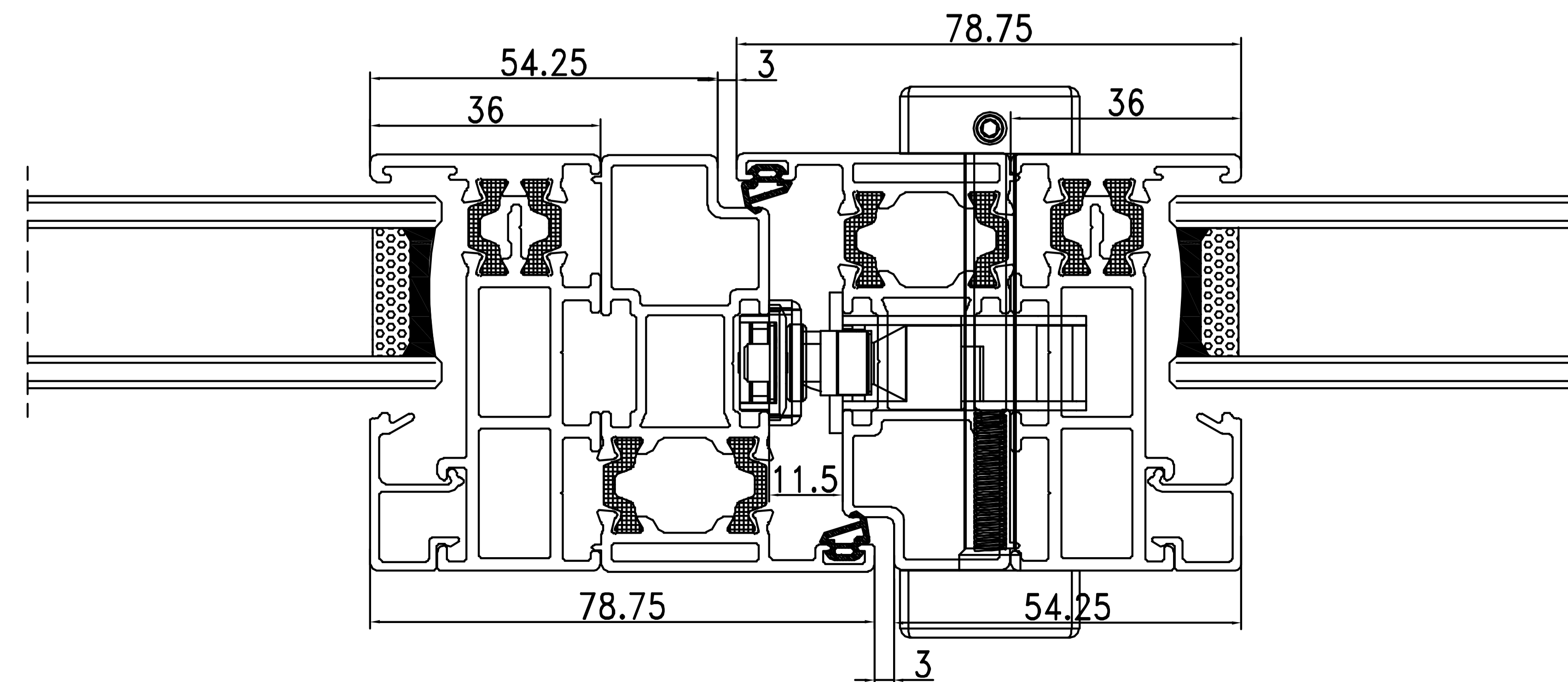
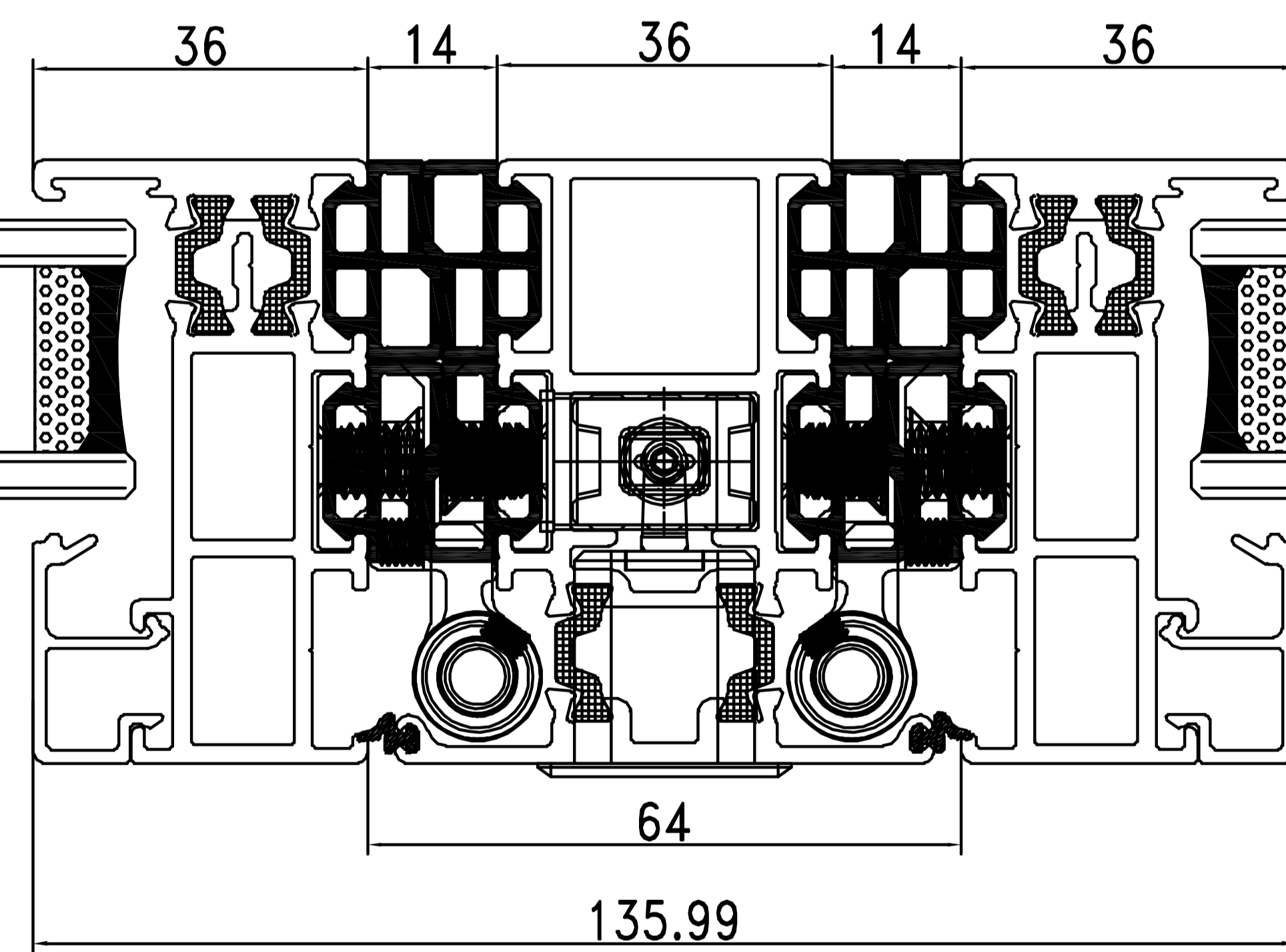
Invisible Corners Solution



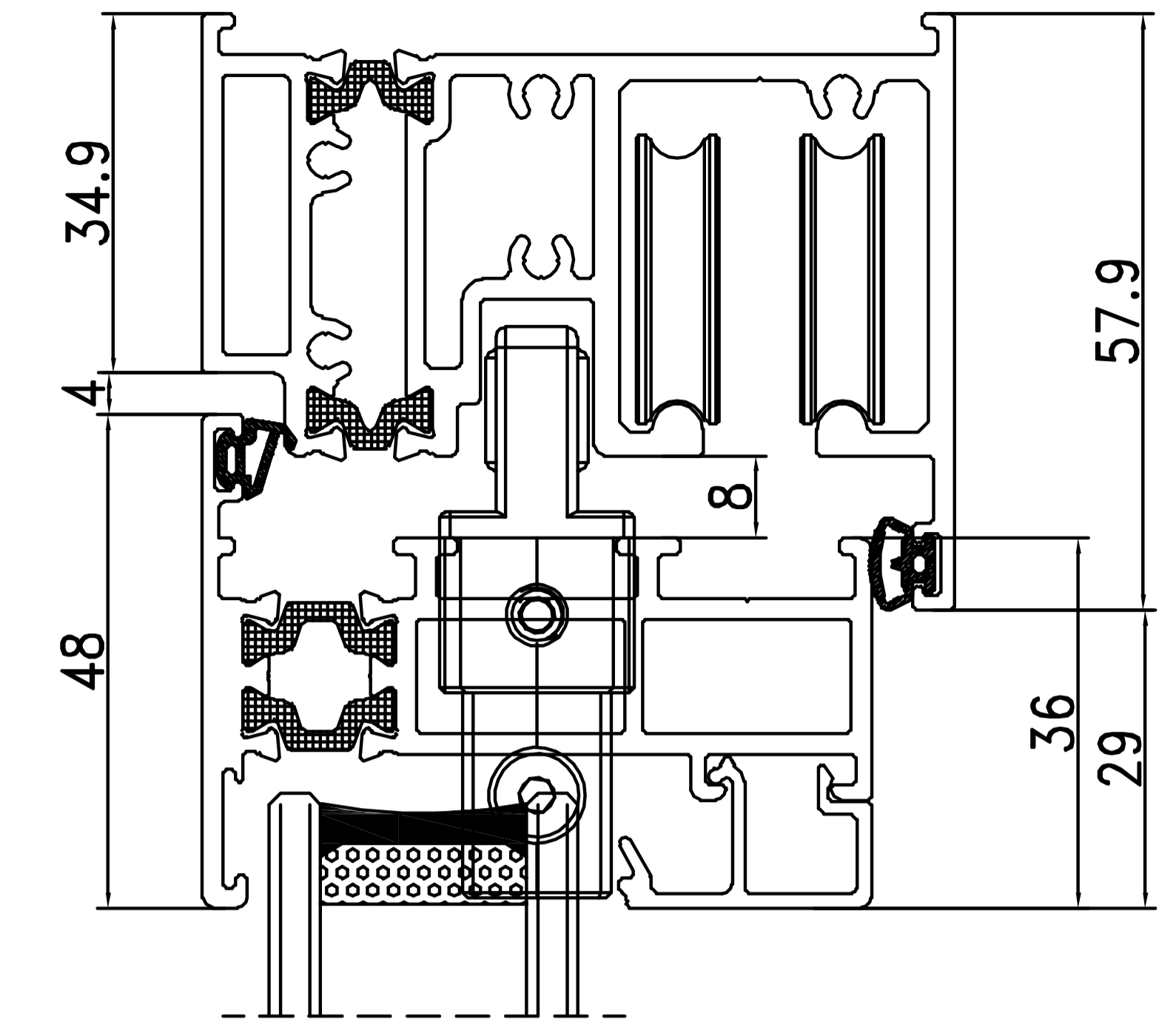
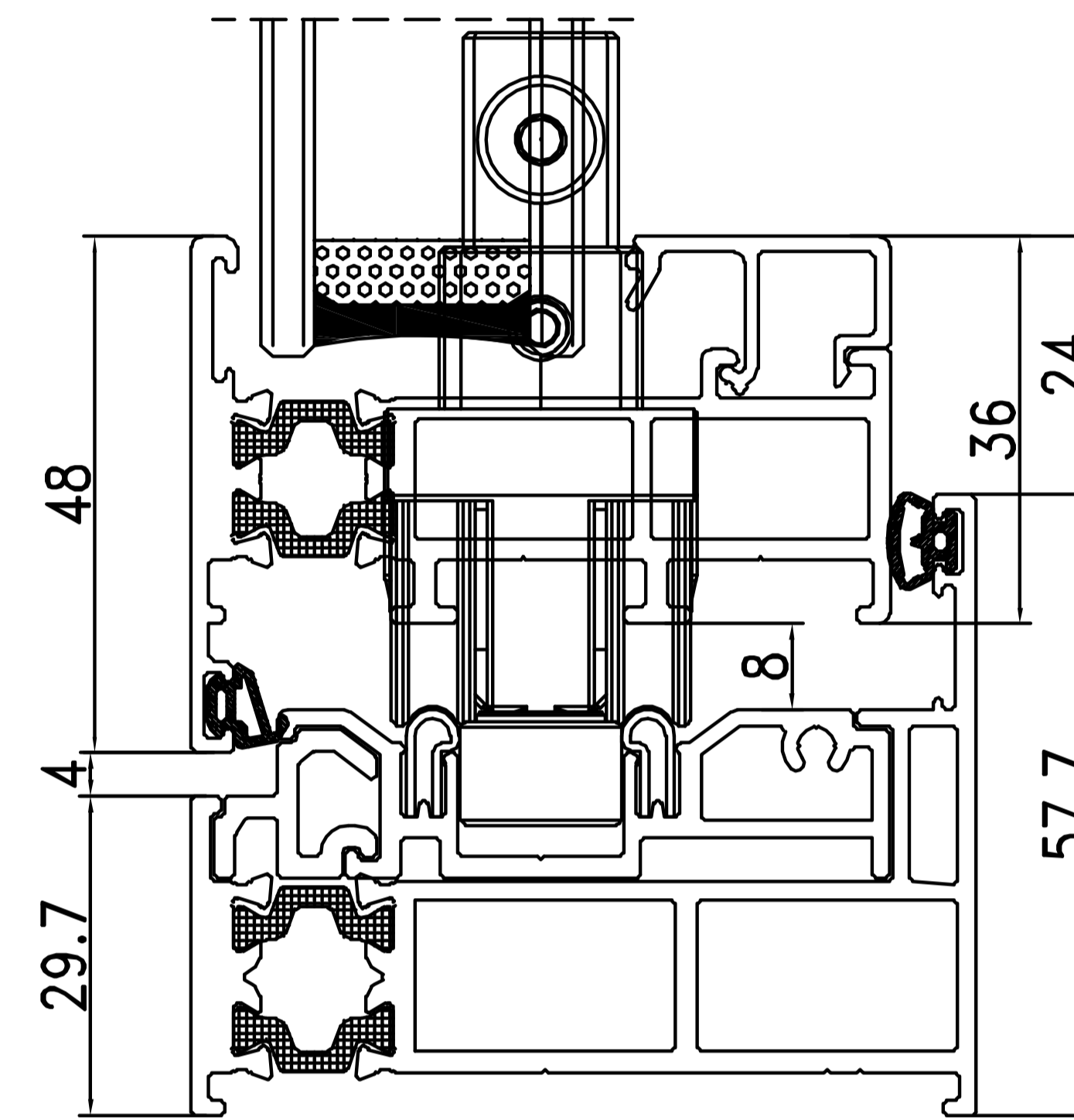
Outdoor



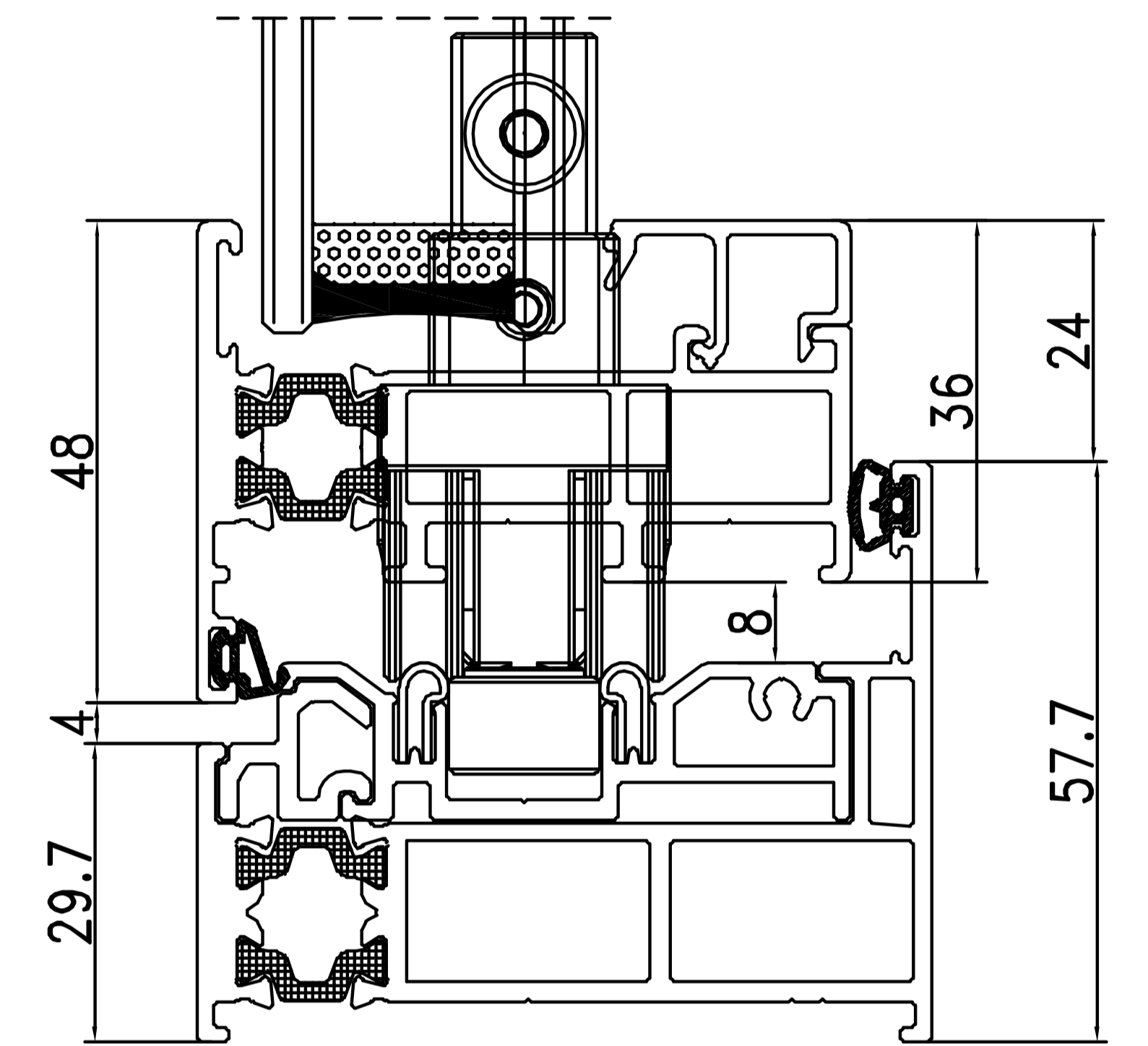
Indoor



Outdoor

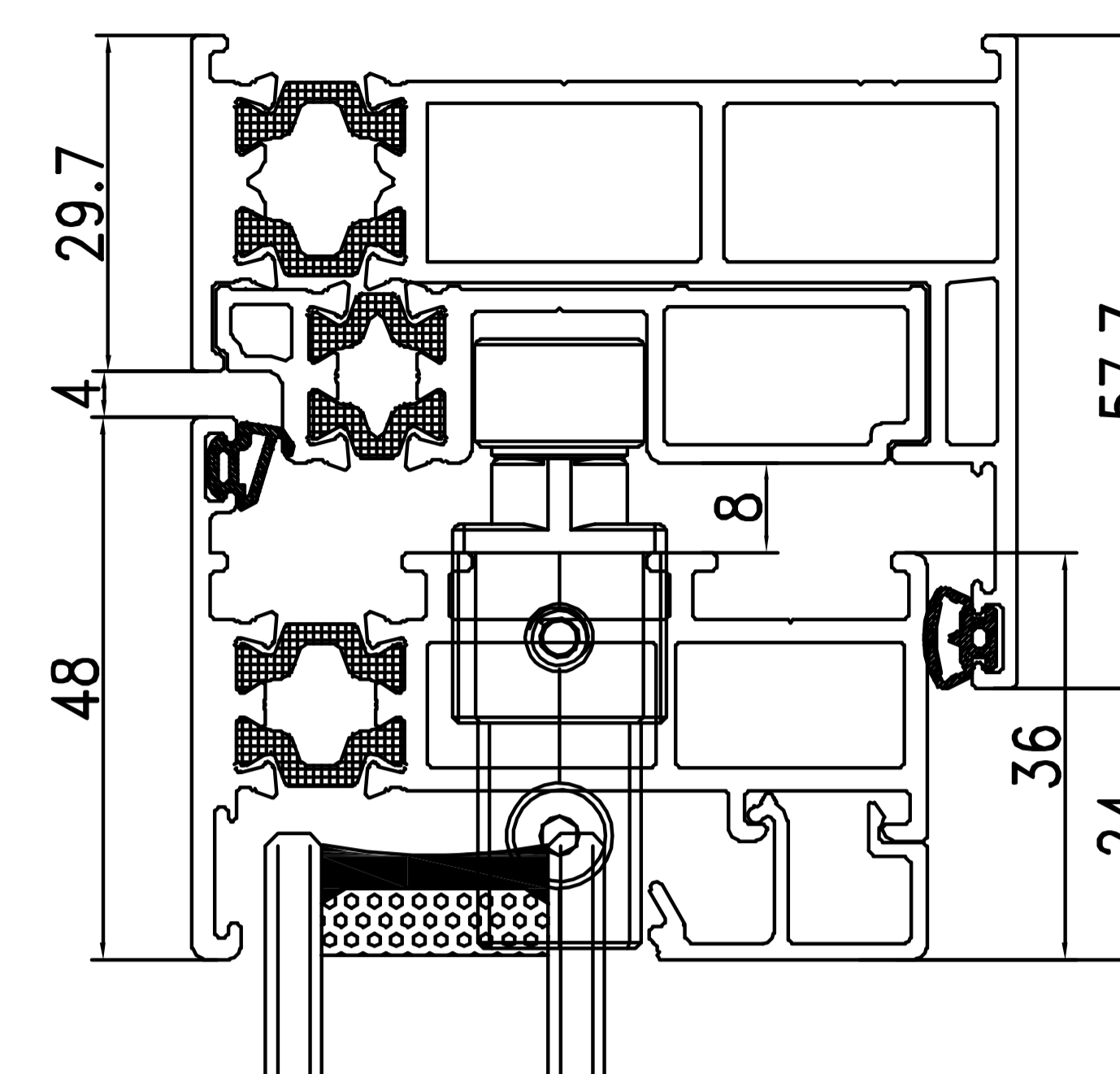
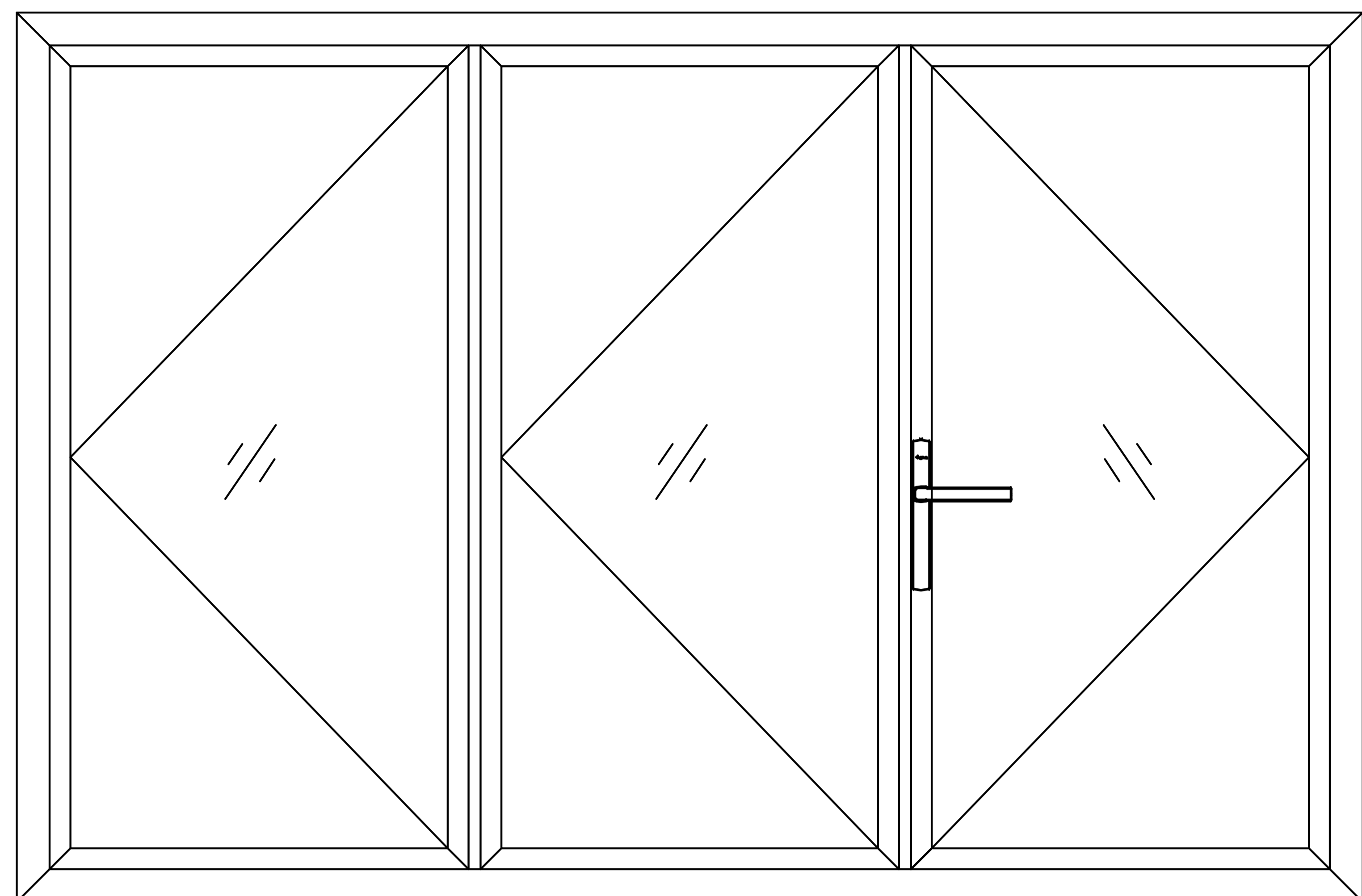


Indoor

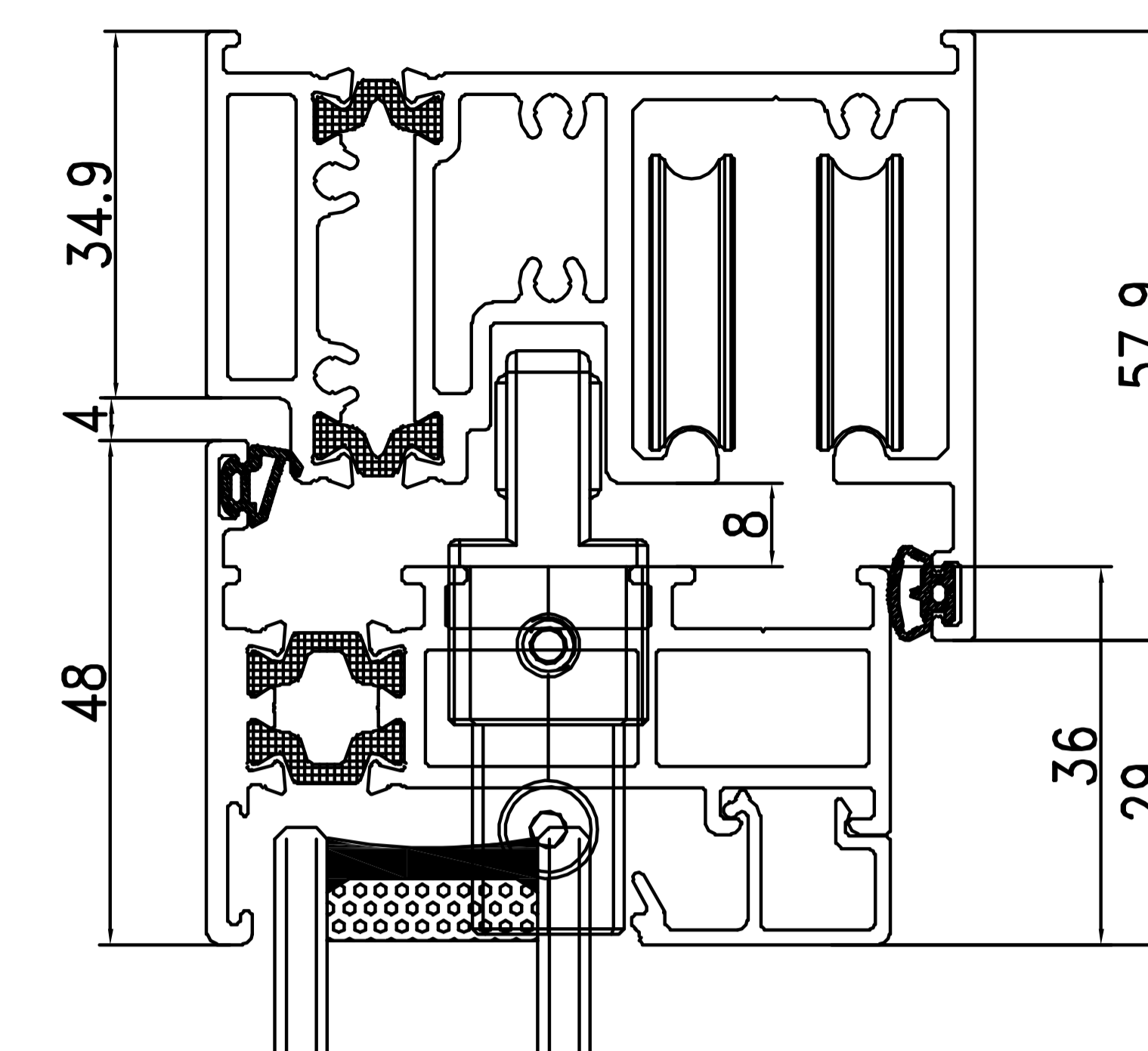


Option:321

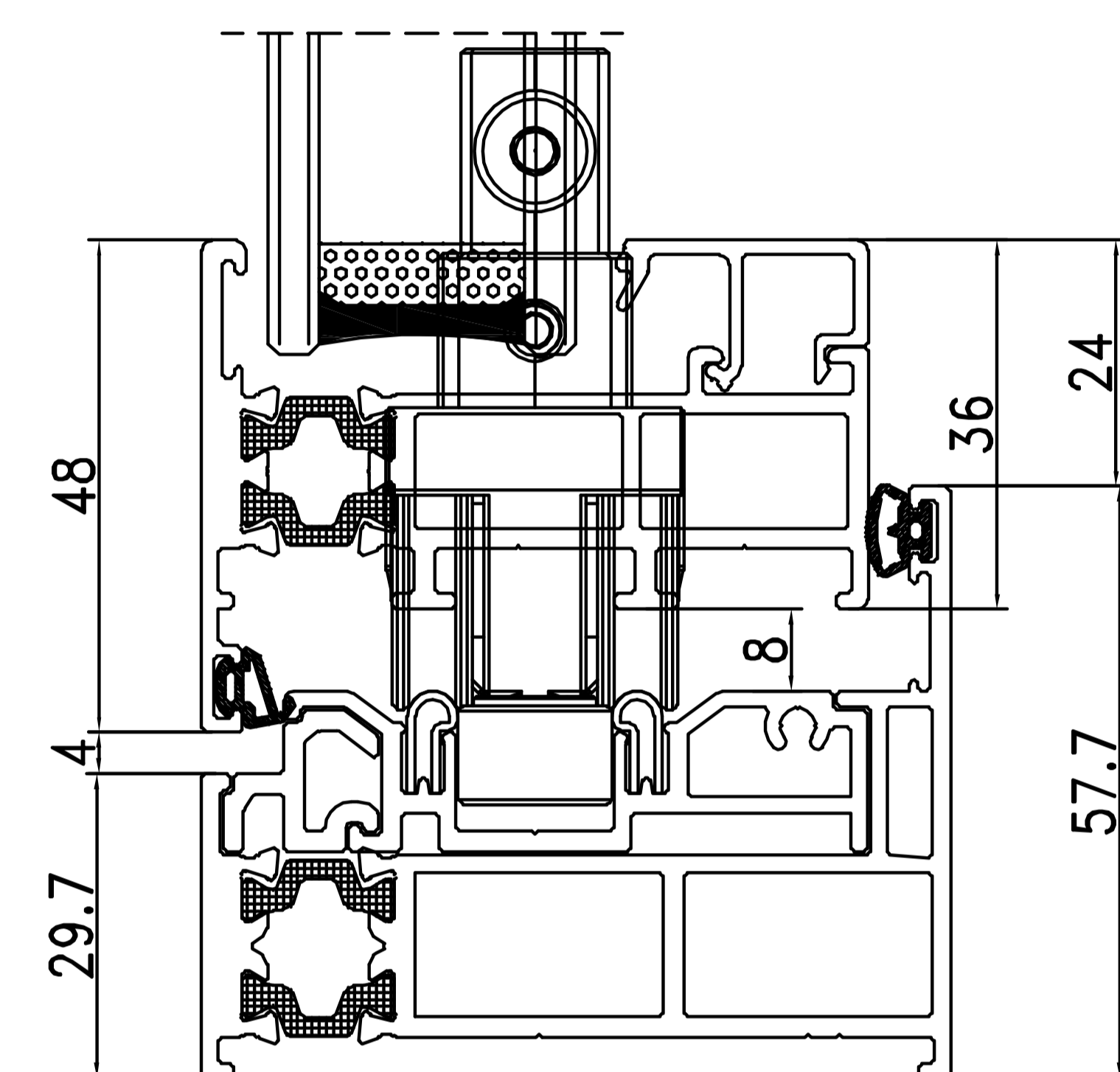
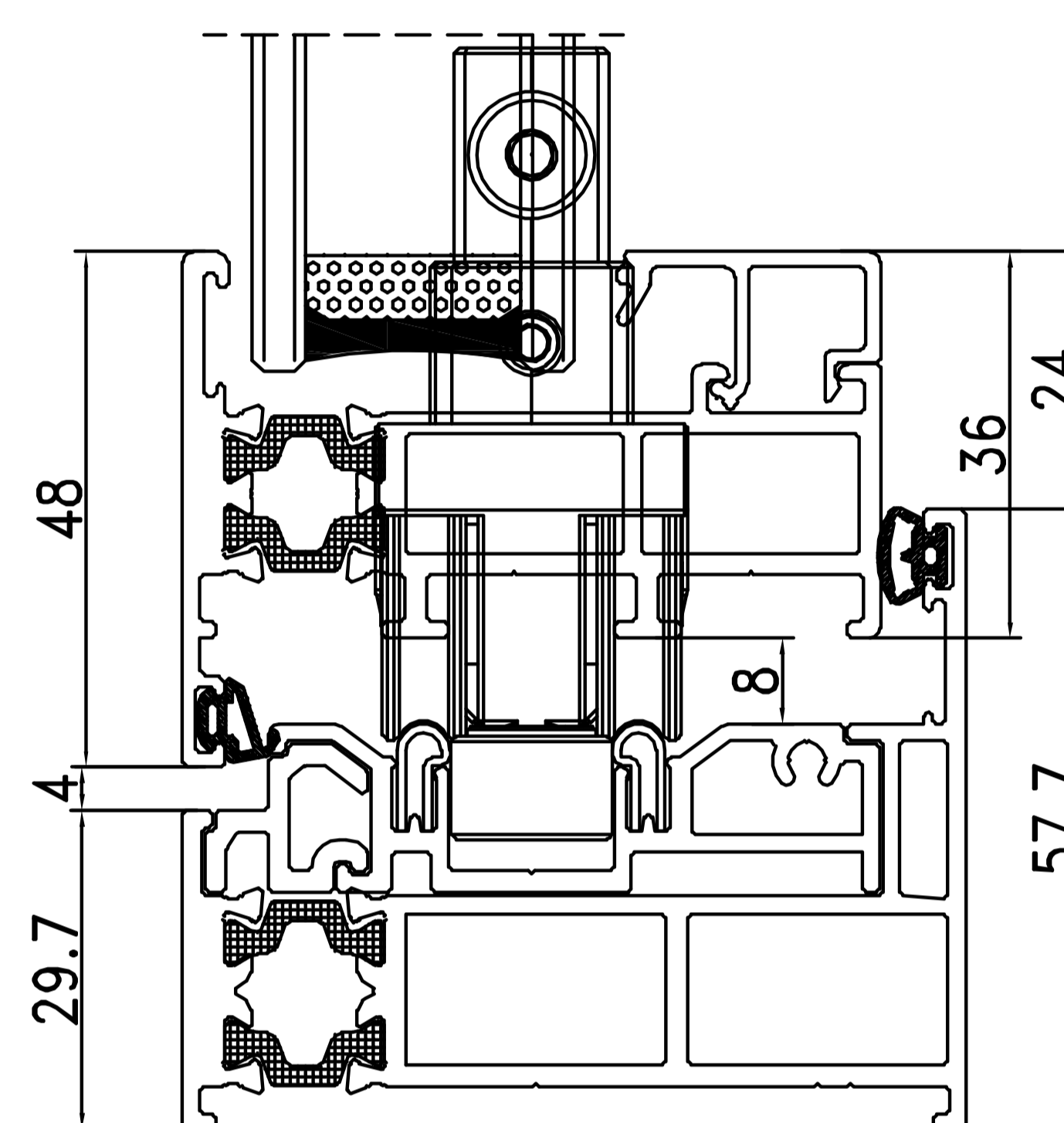
Invisible Corners Solution



Outdoor



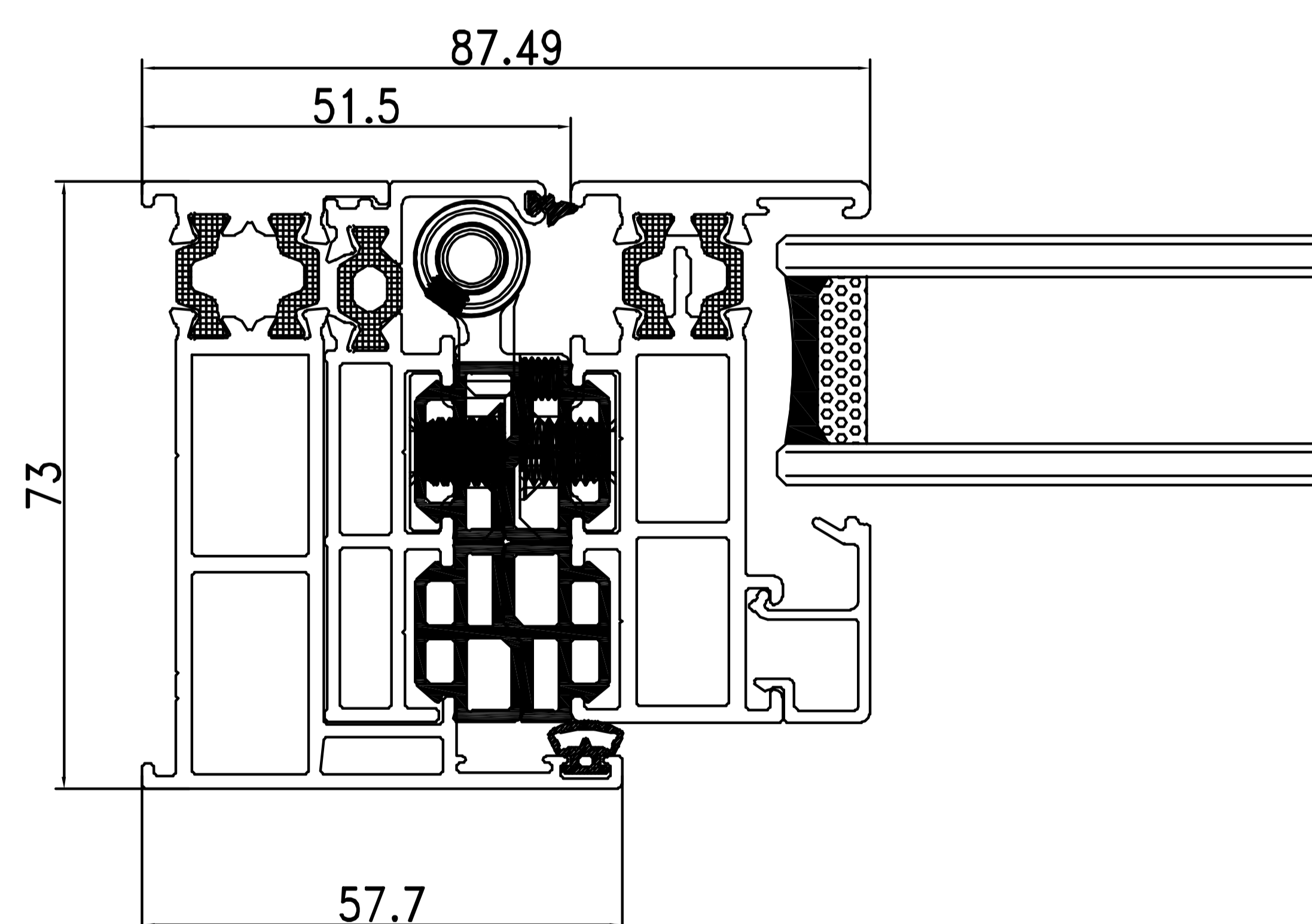
Indoor



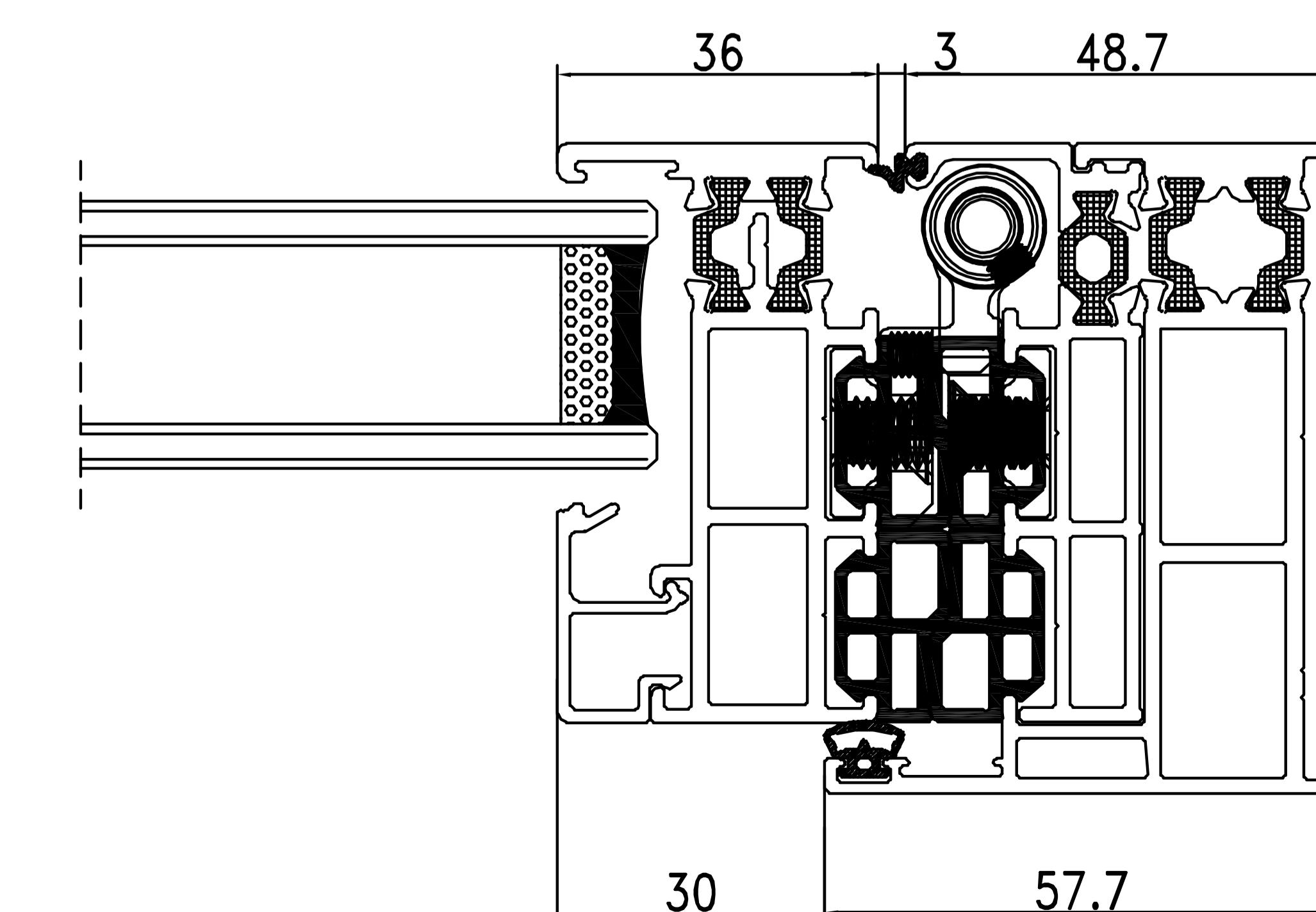
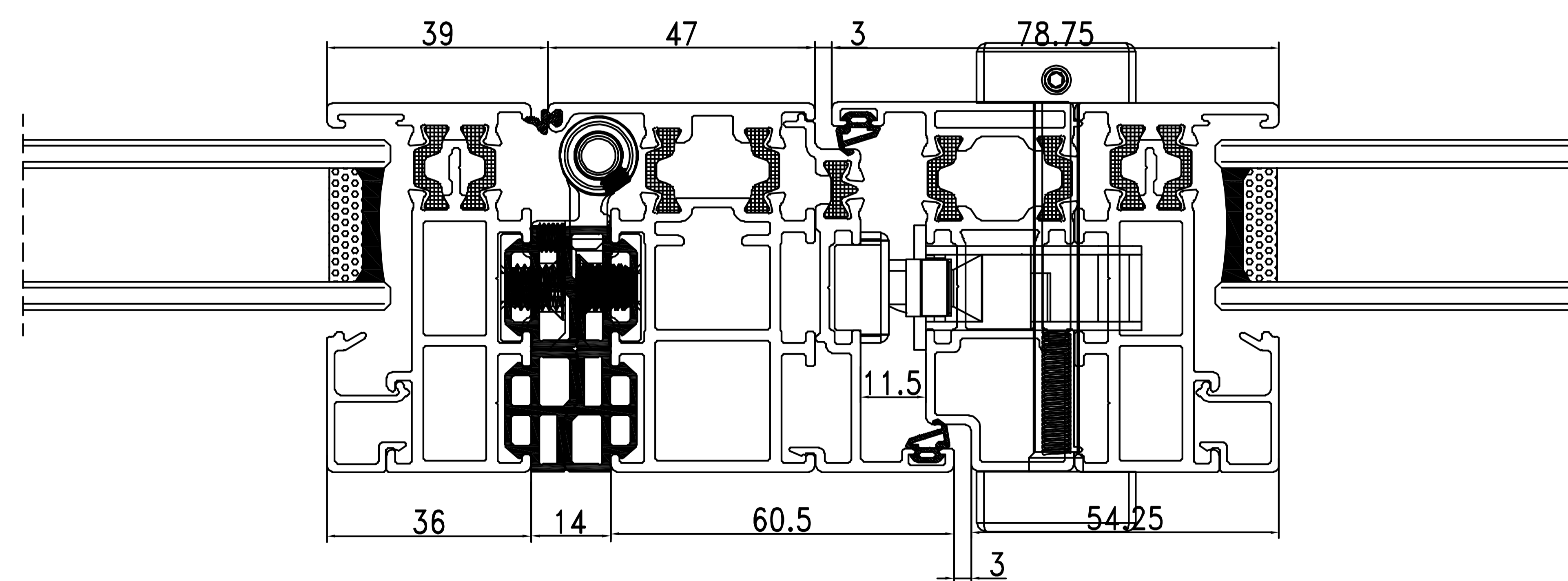
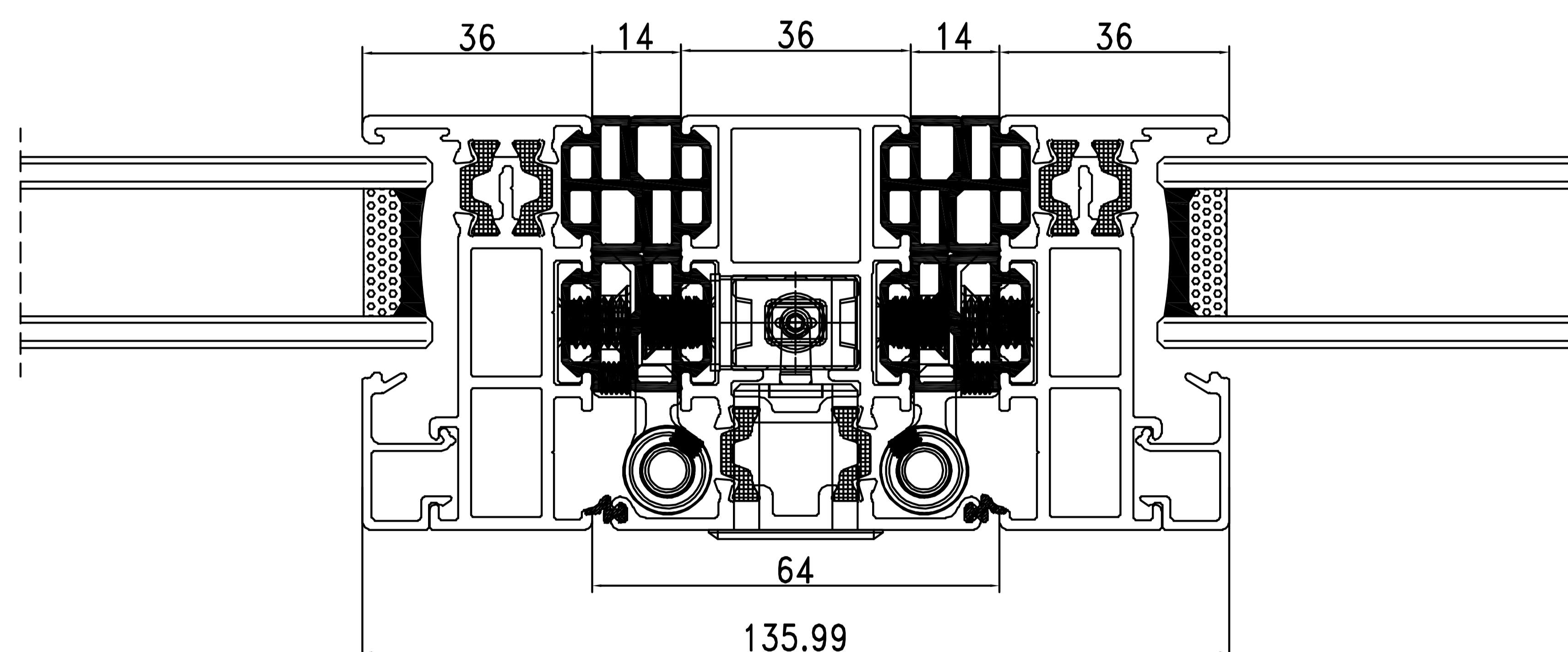
Outdoor

下承重上定位结构

上下承重定位结构

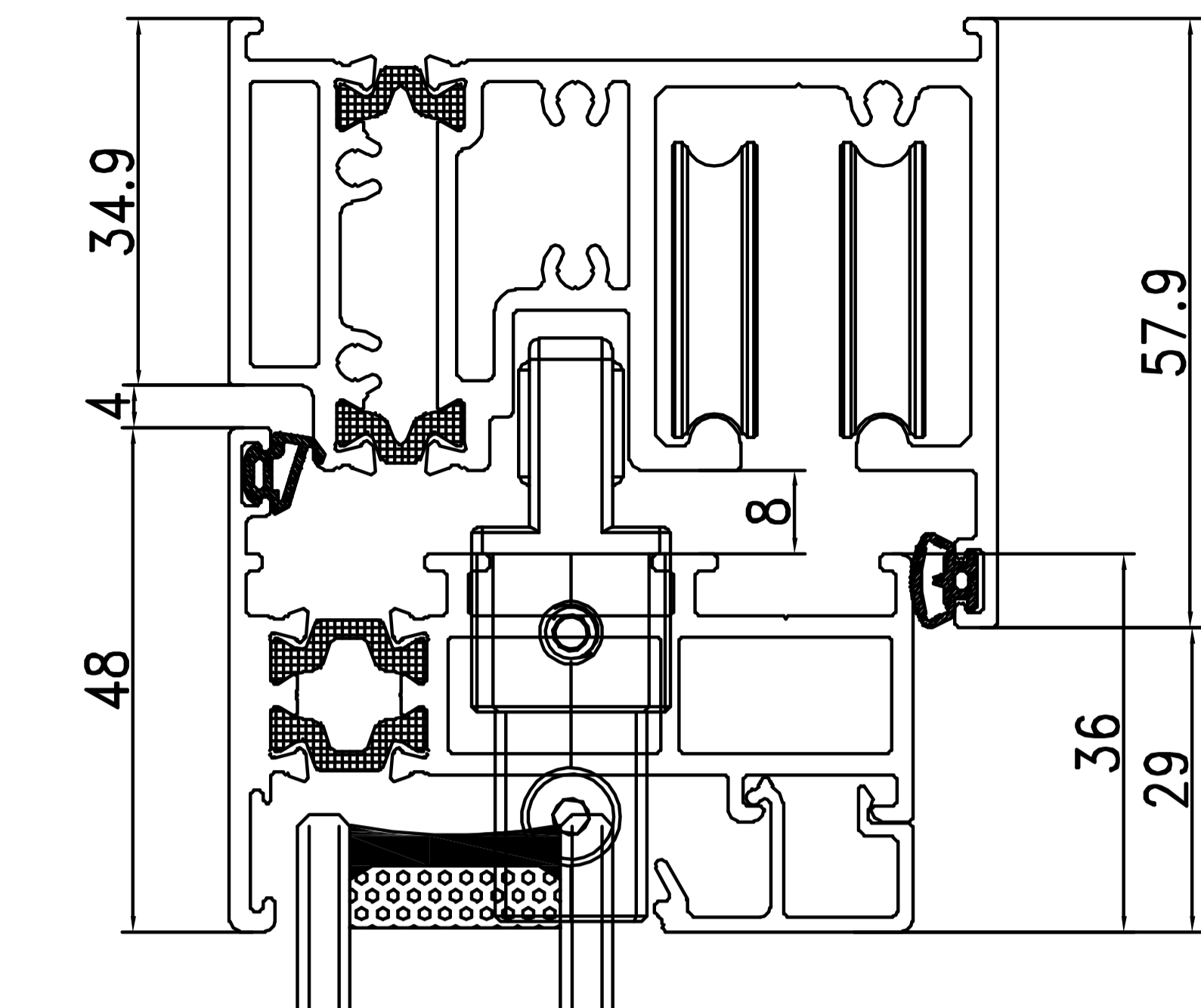
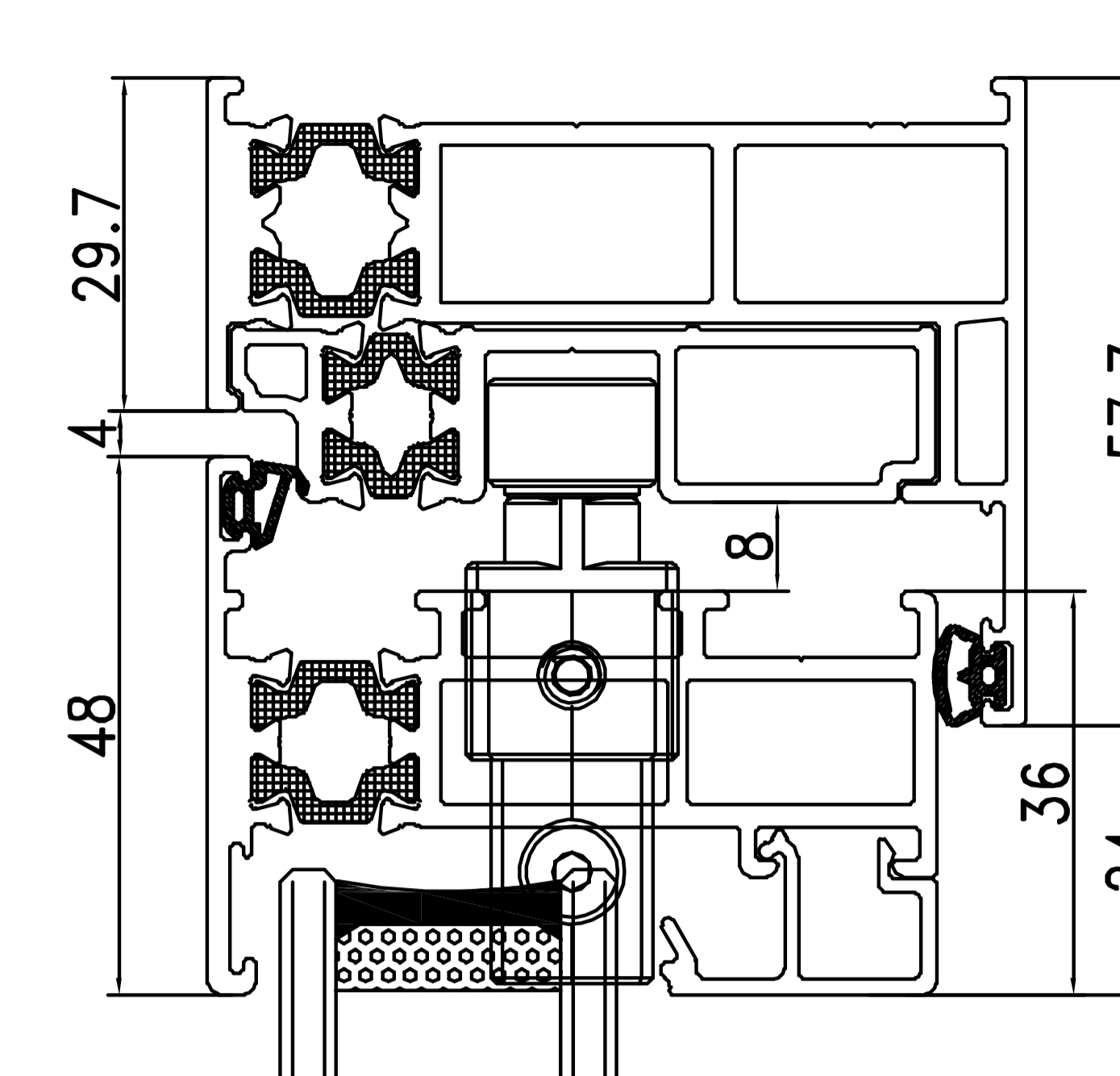
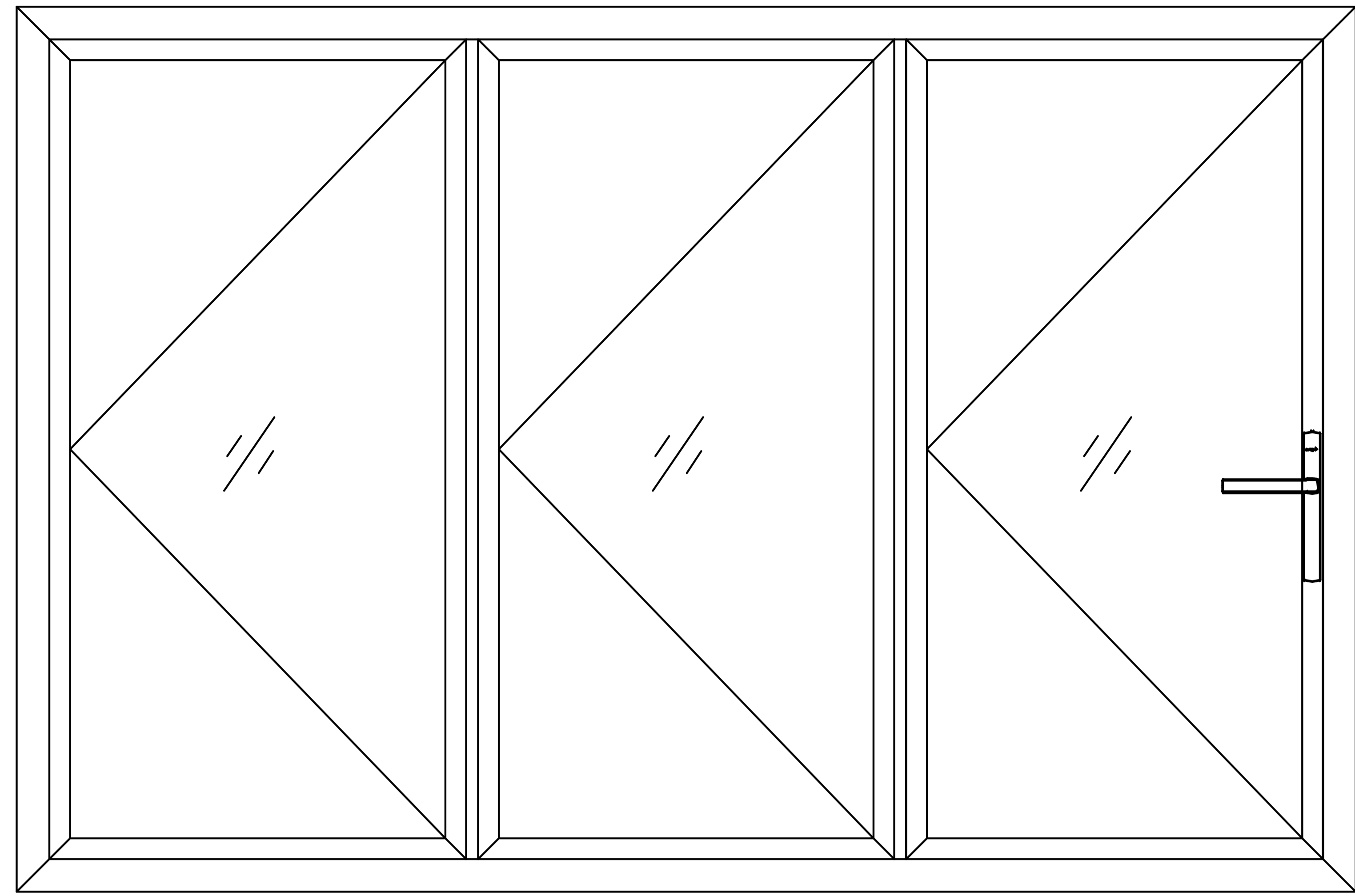


Indoor



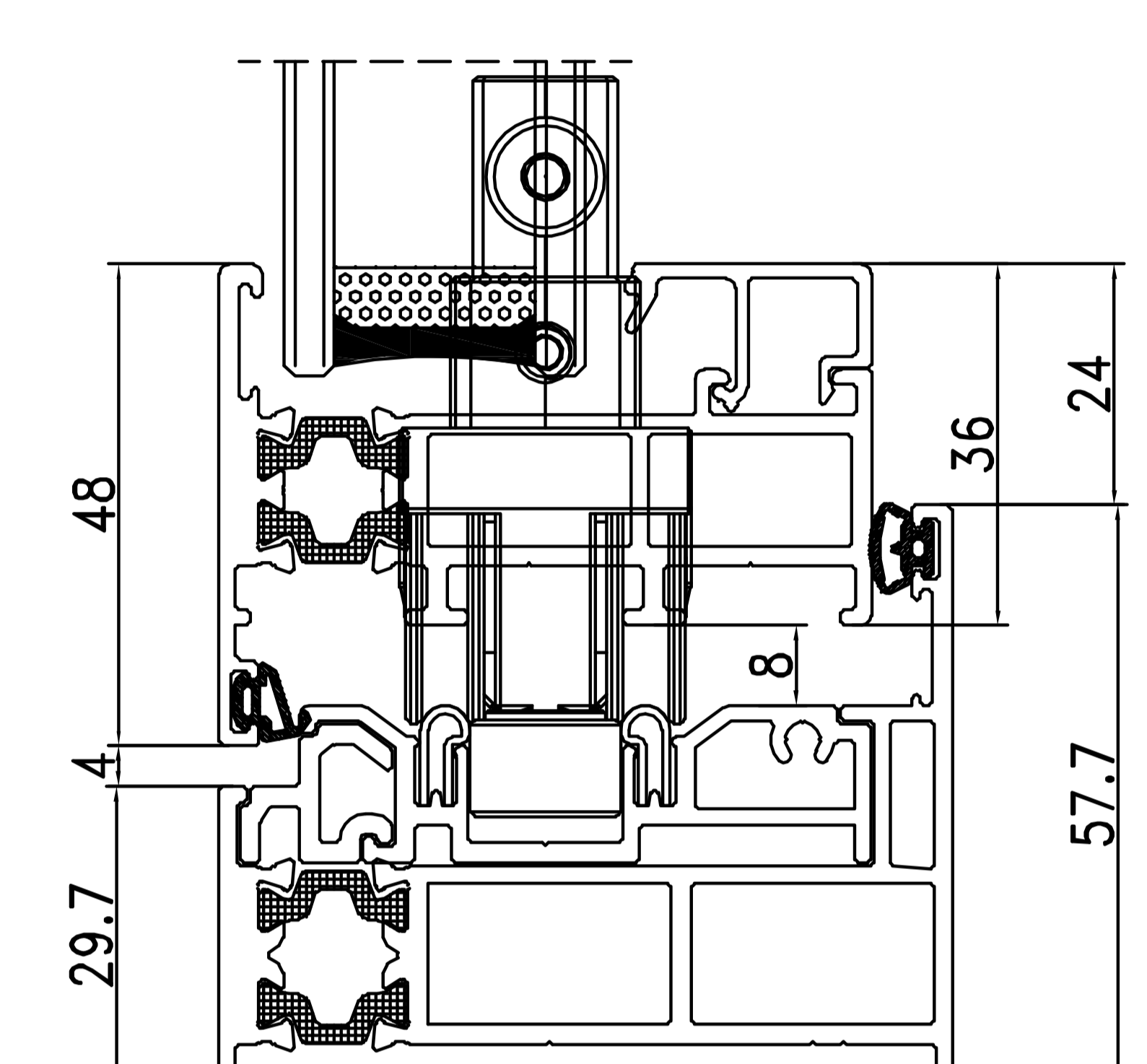
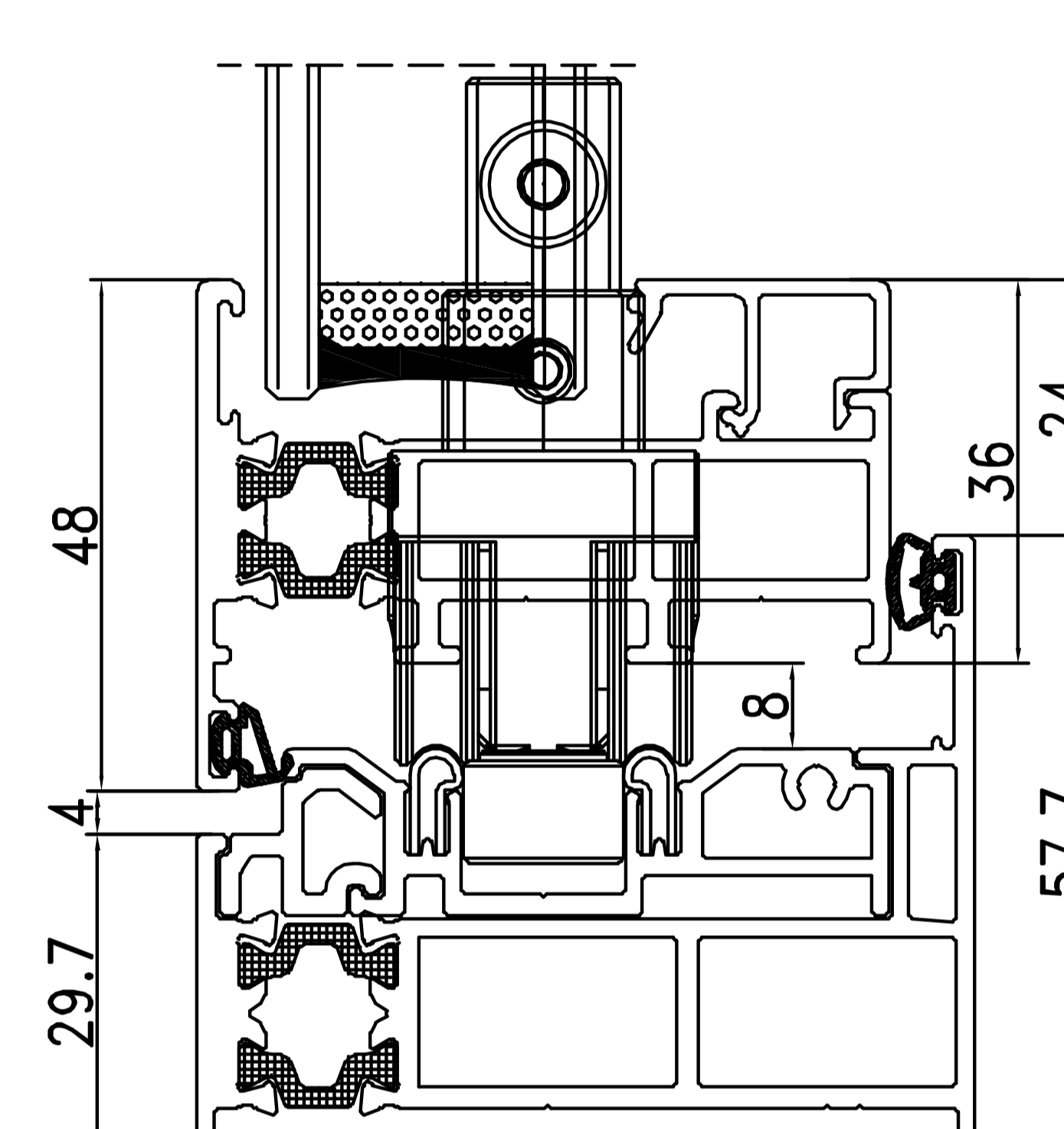
Option:330

Invisible Corners Solution

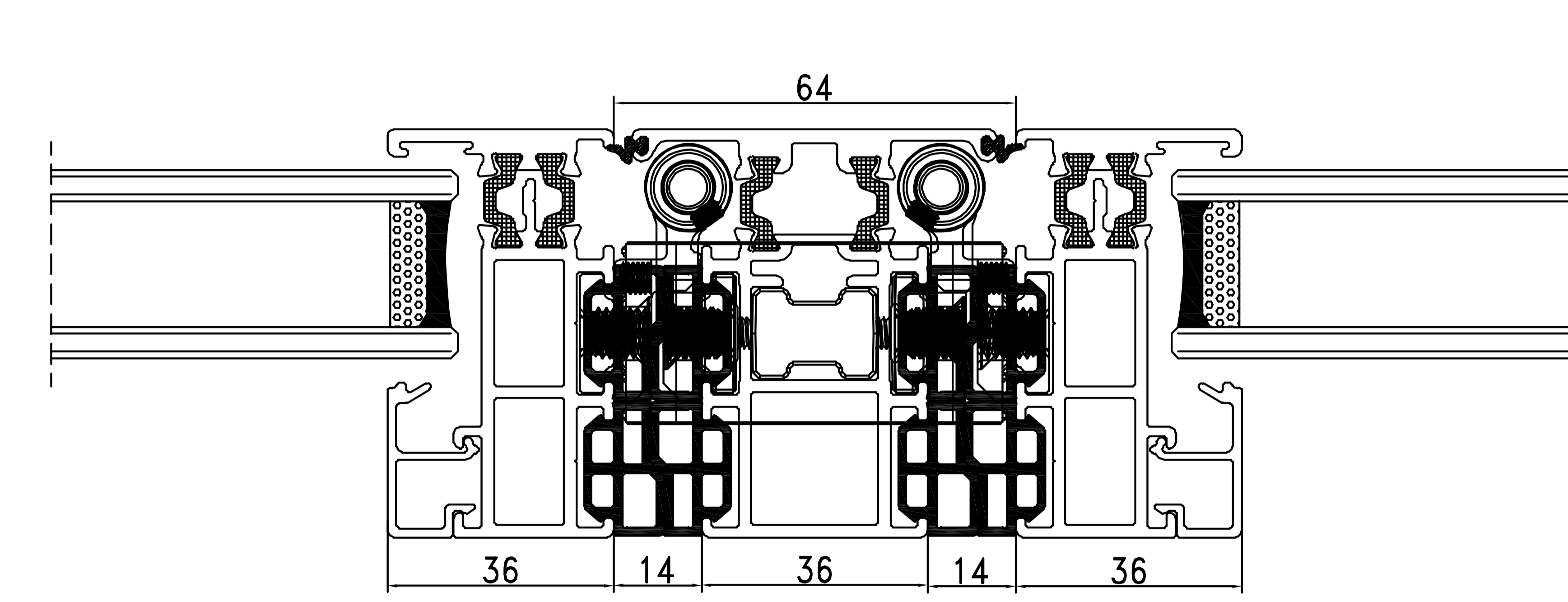
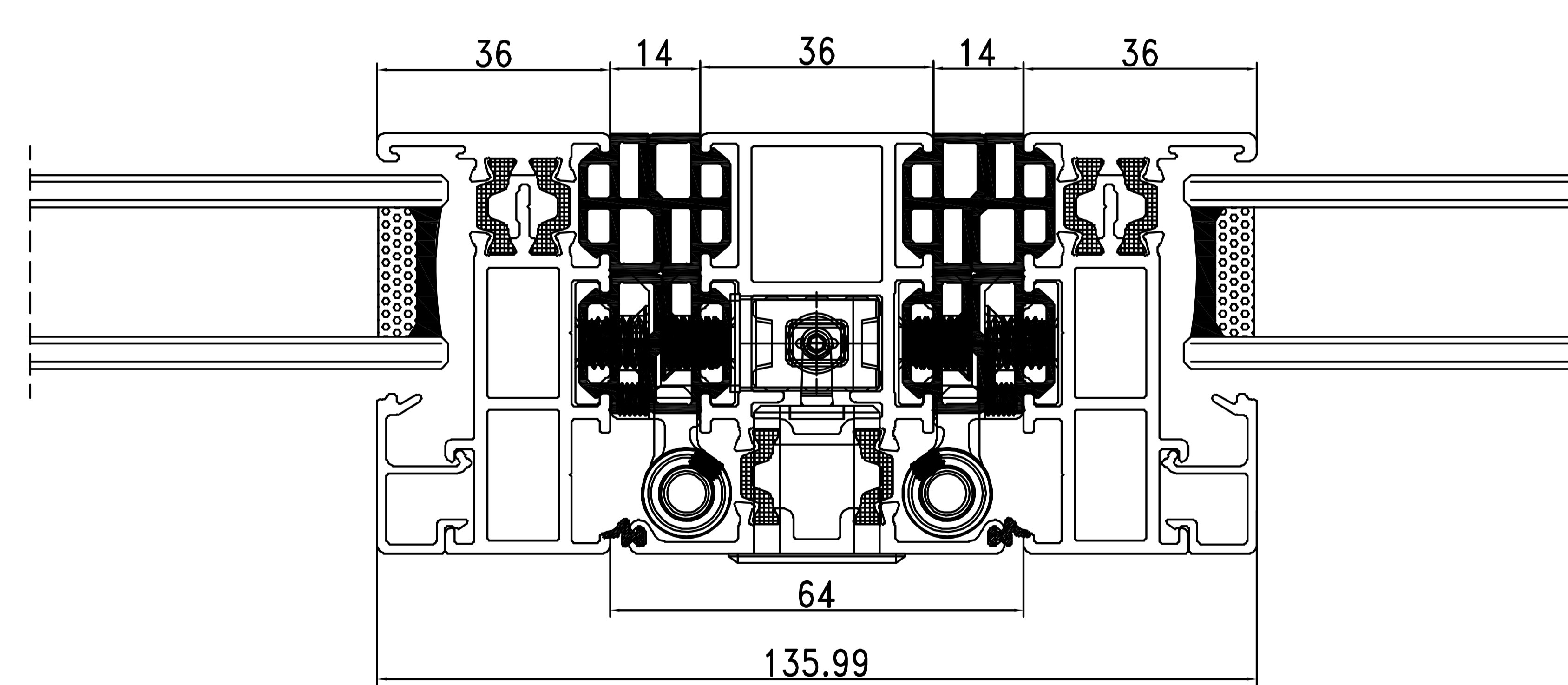
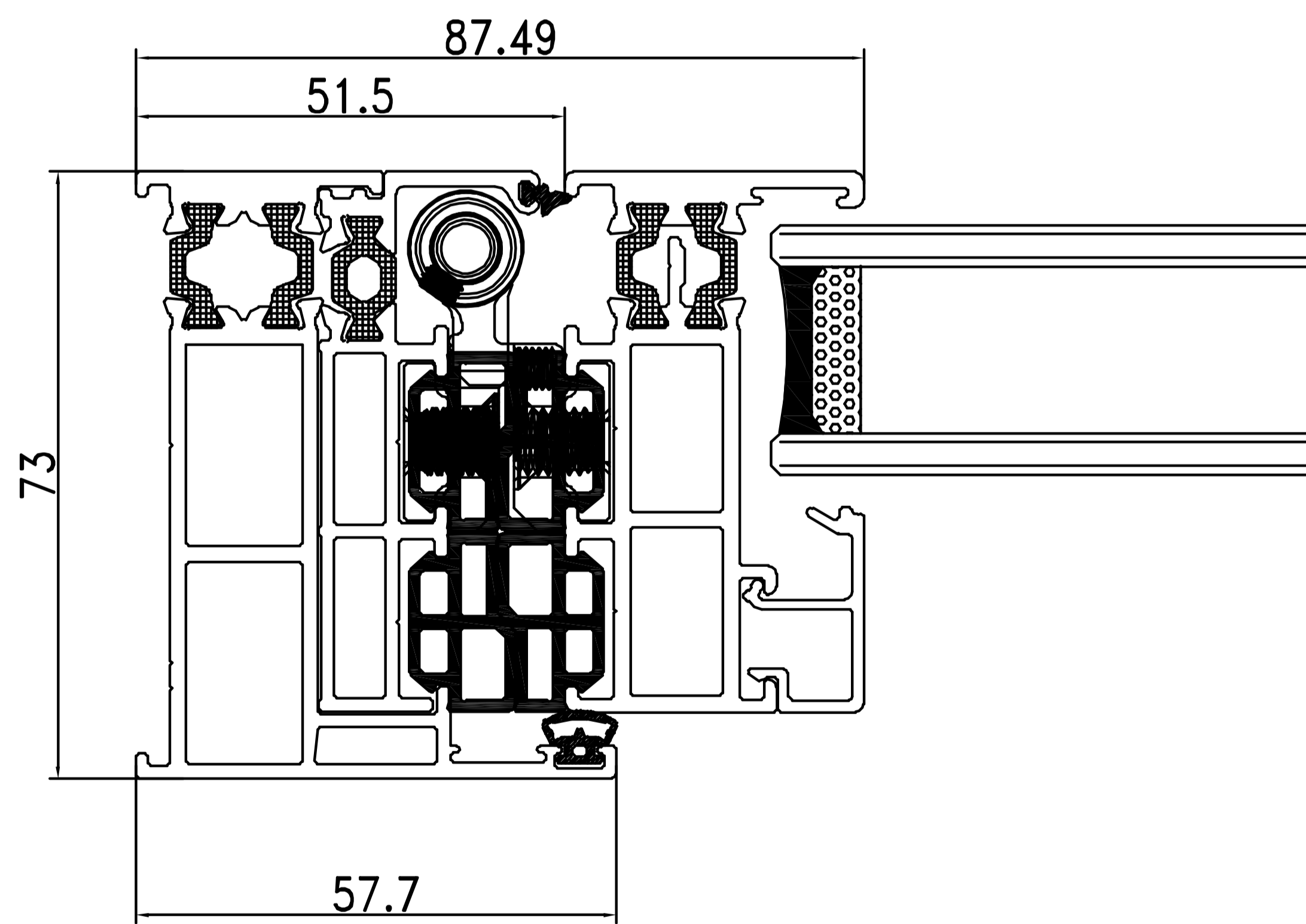


Outdoor

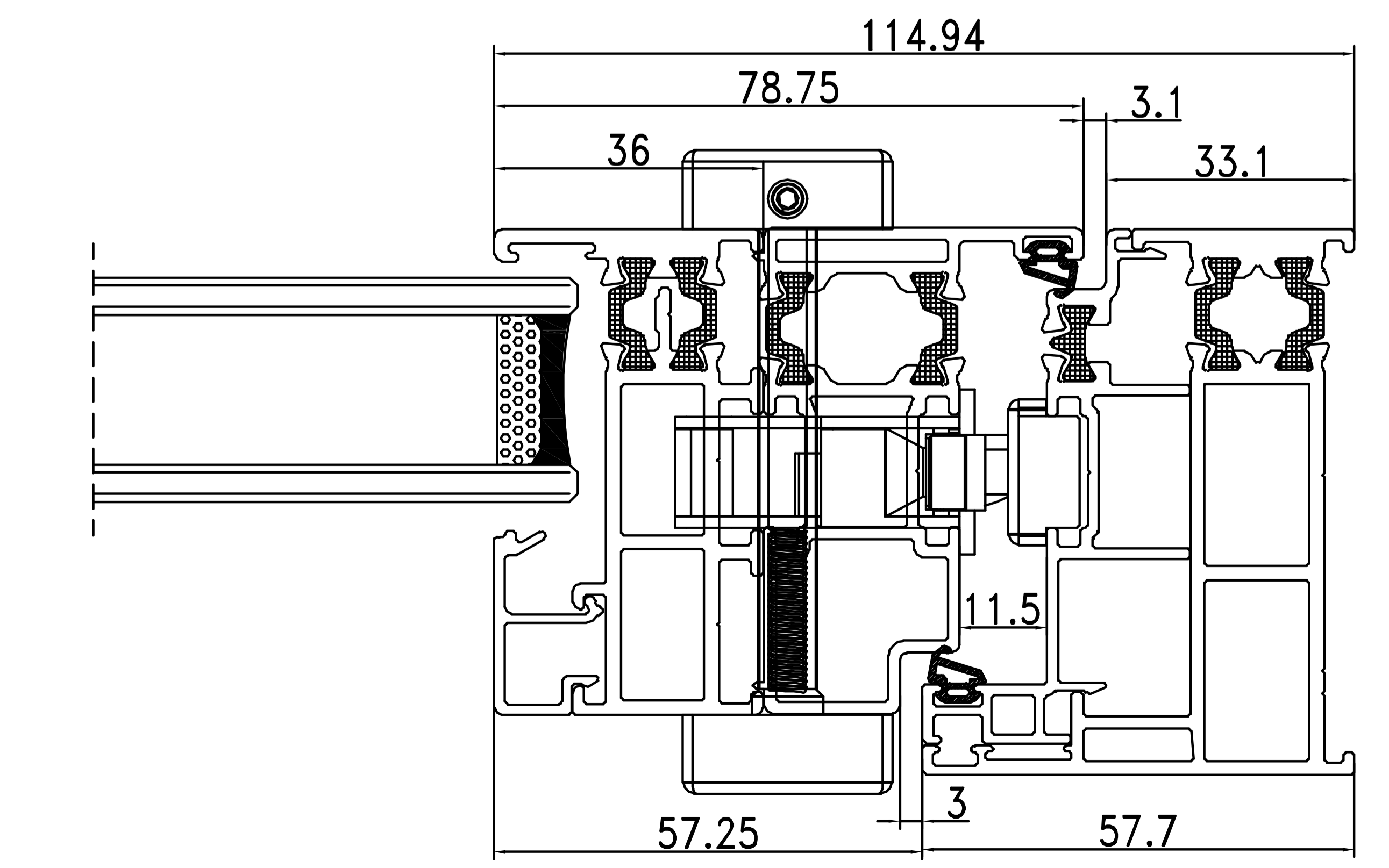
Indoor



Outdoor

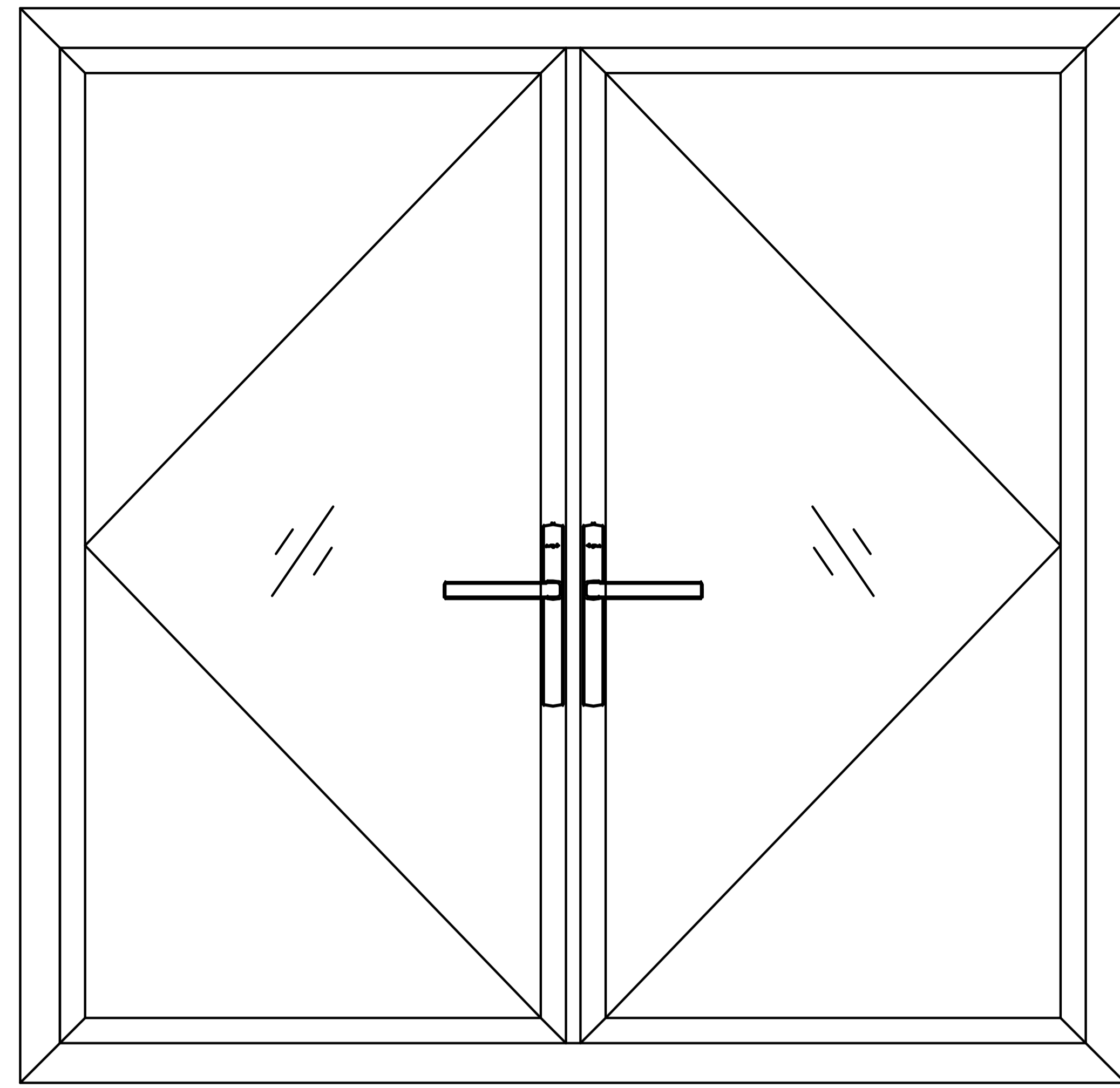


Indoor

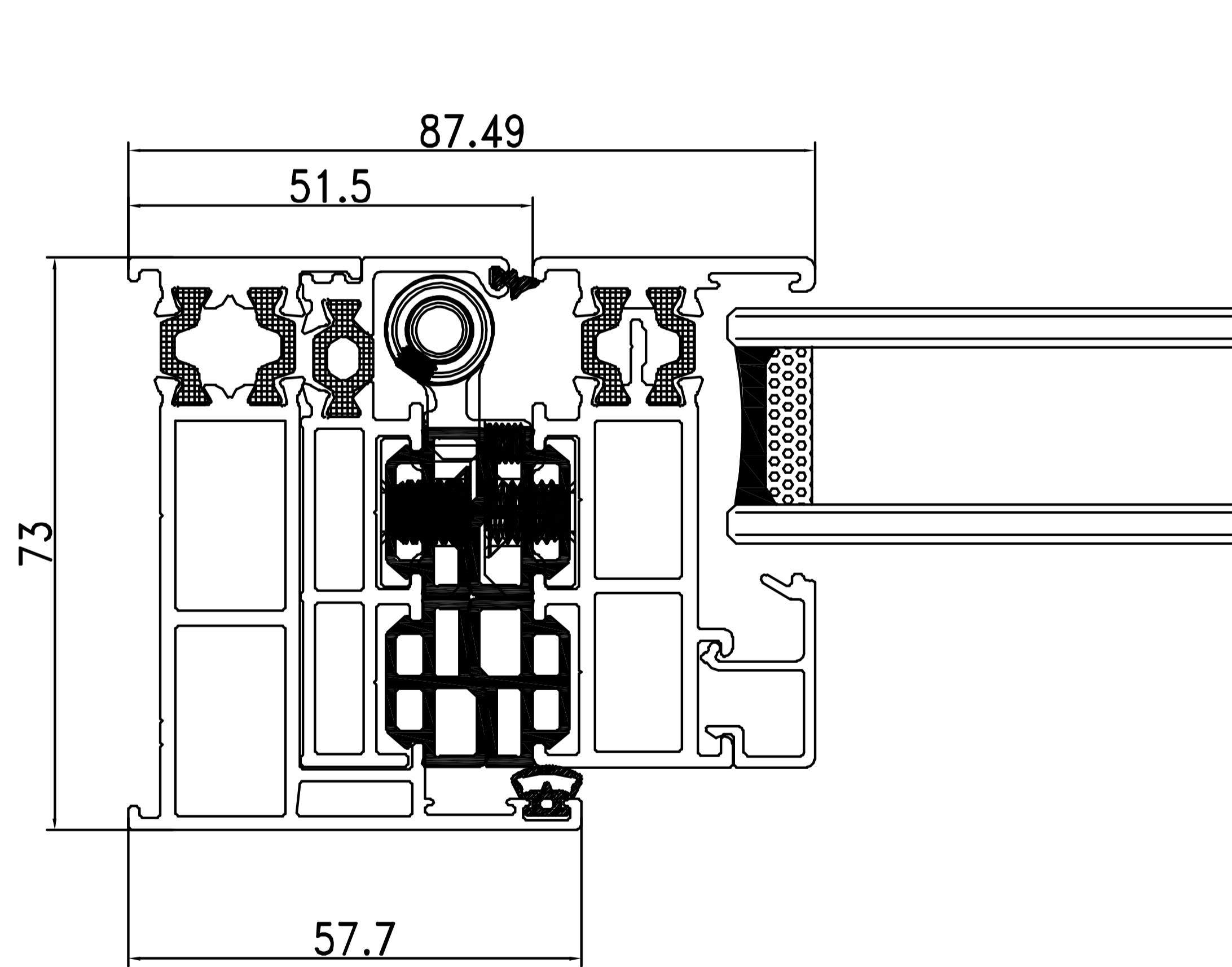


Option:211

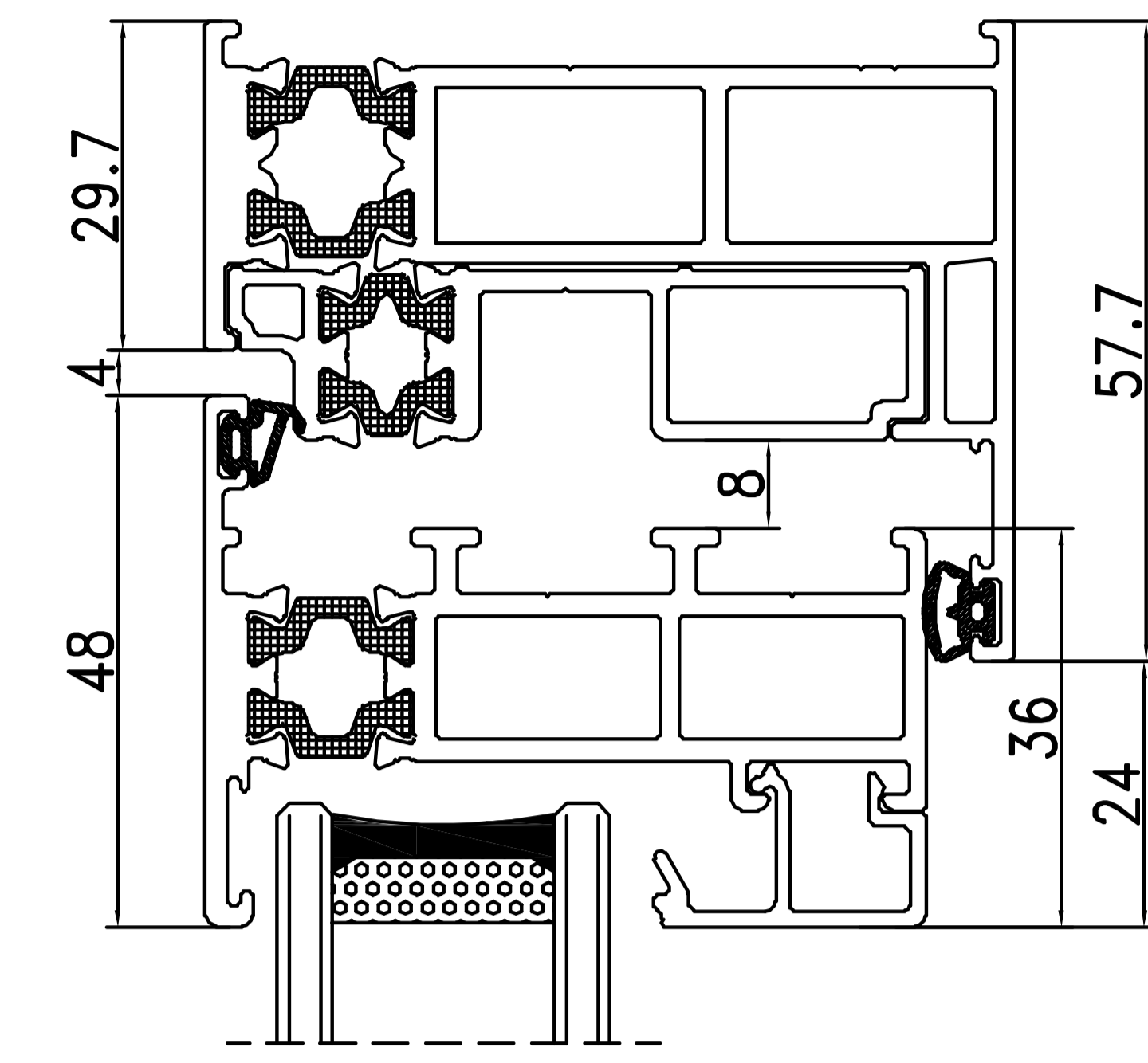
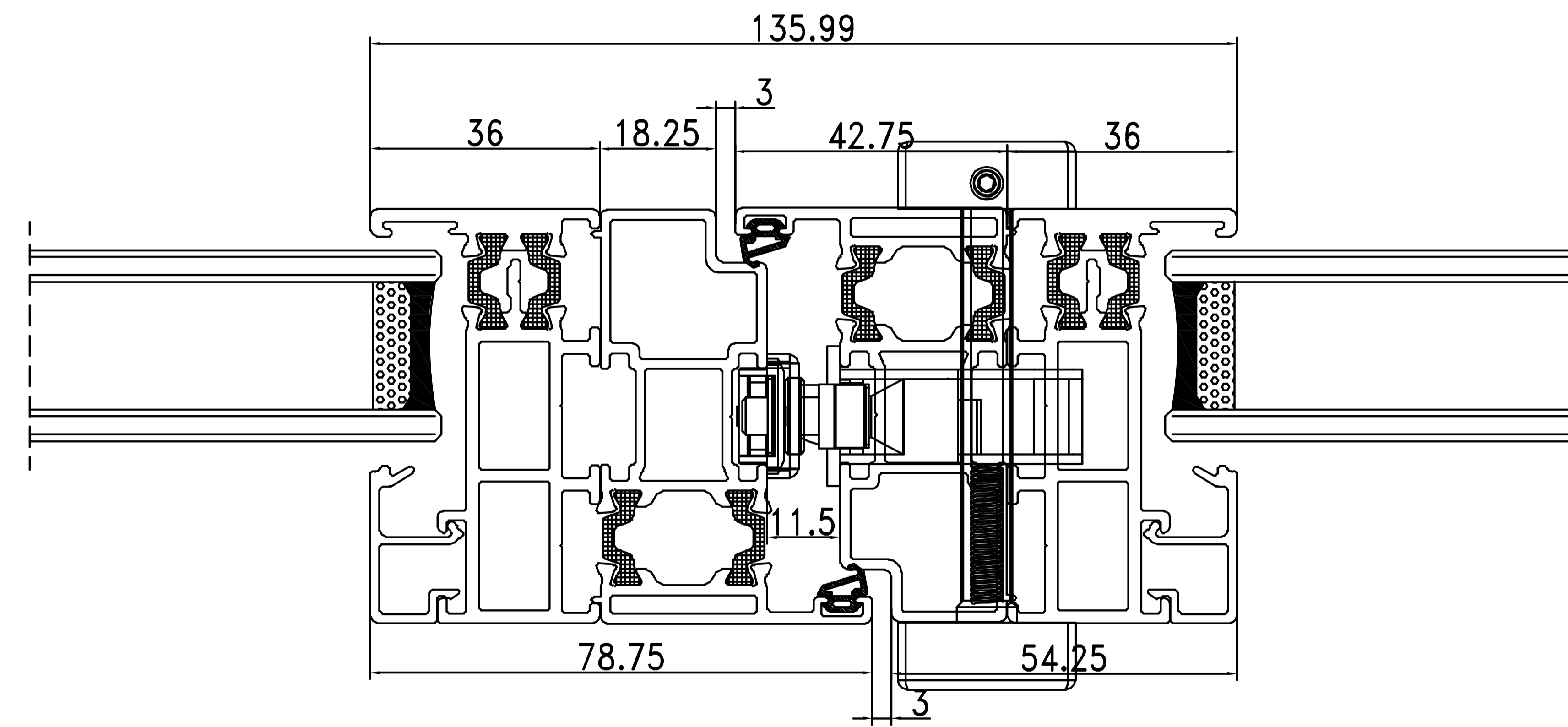
Invisible Corners Solution



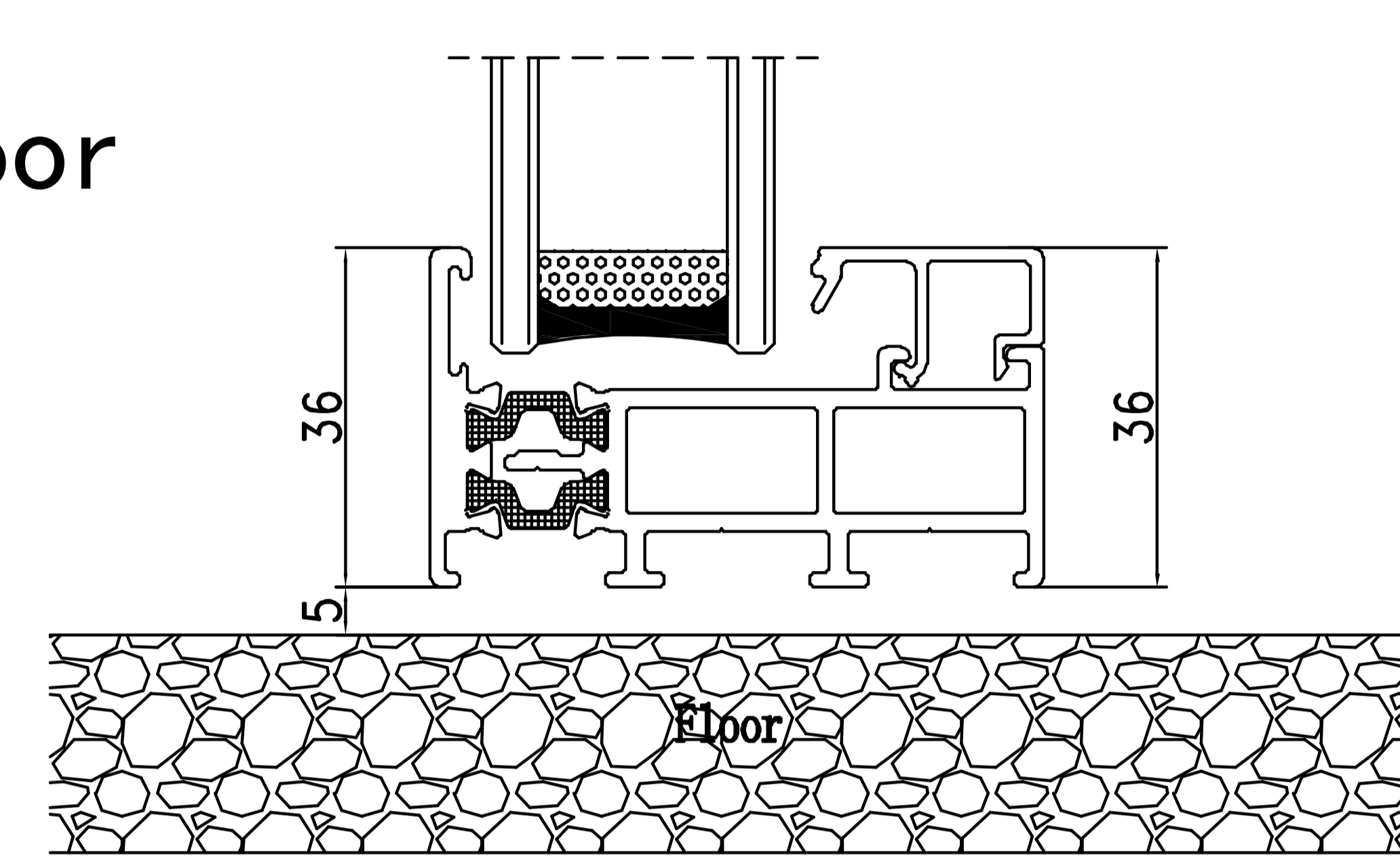
Outdoor



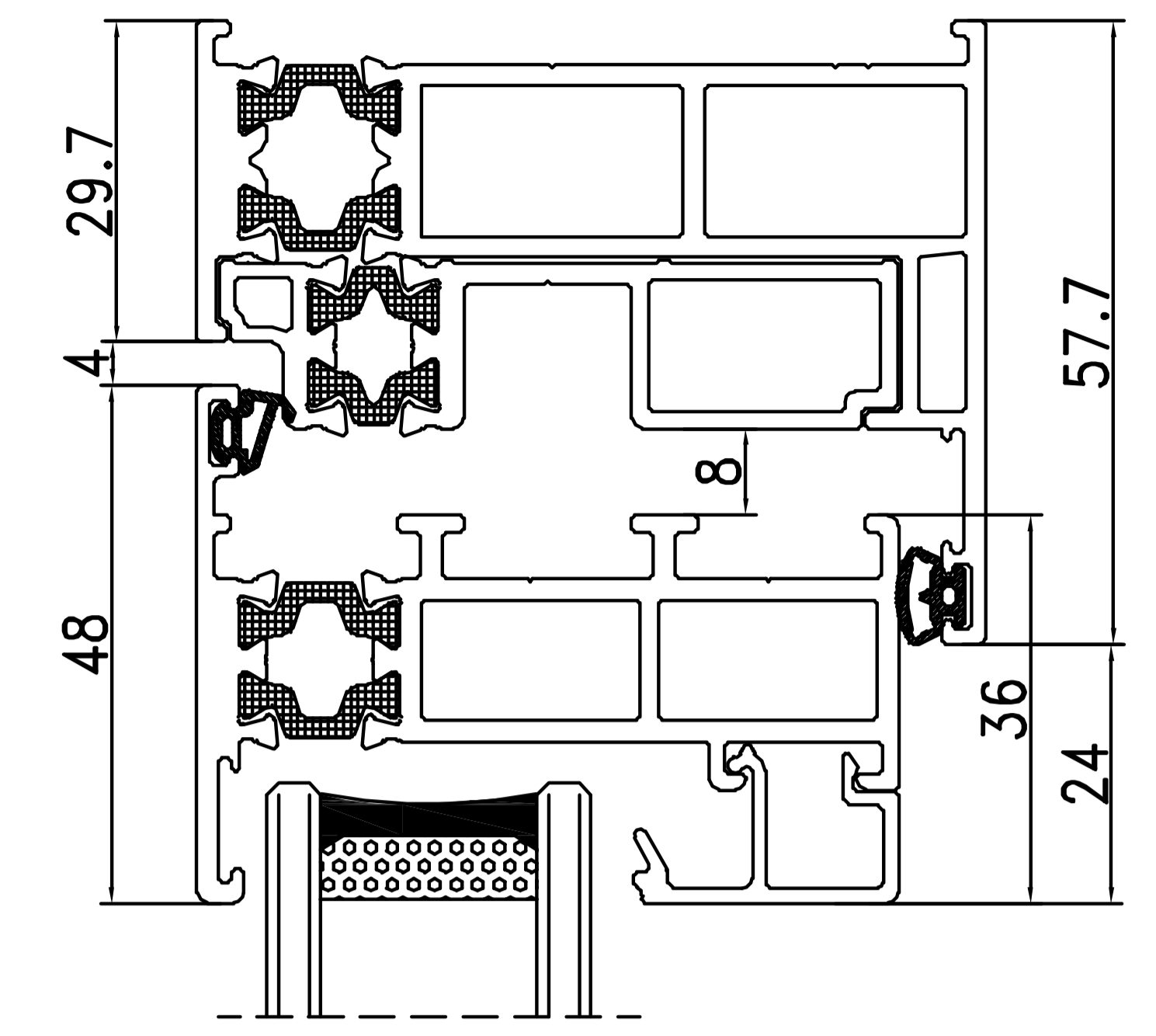
Indoor



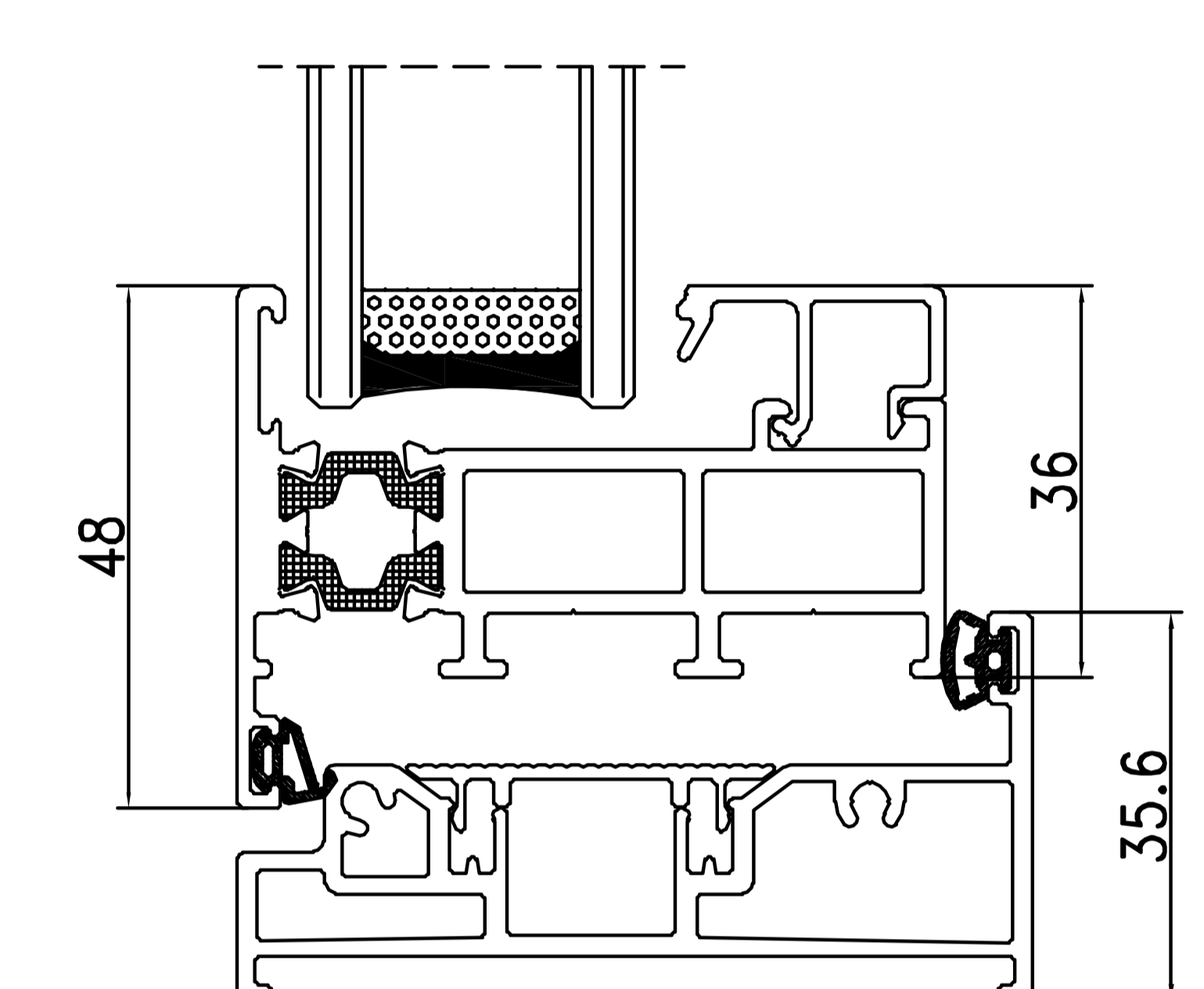
Outdoor



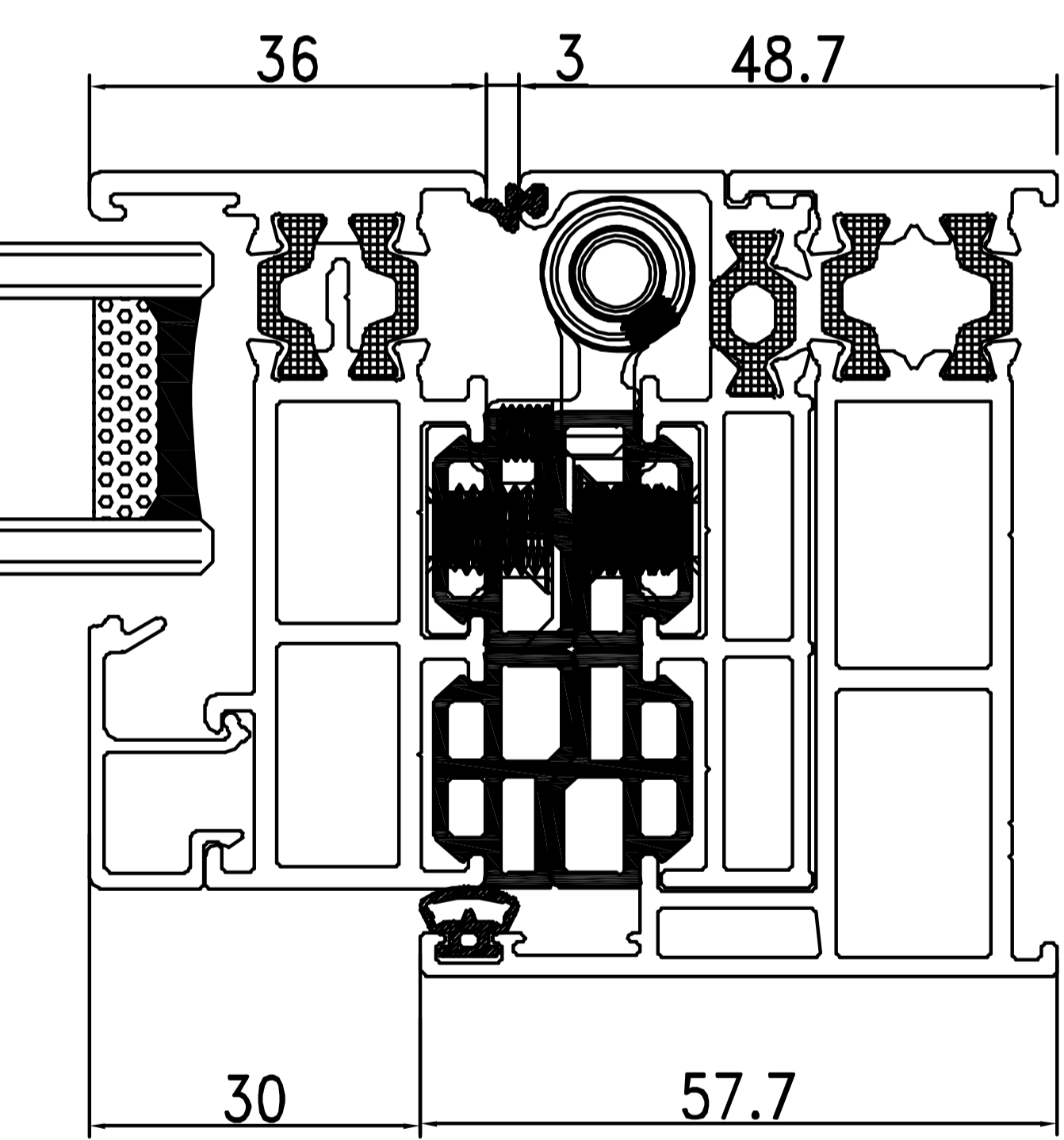
Swing door without threshold Option



Indoor

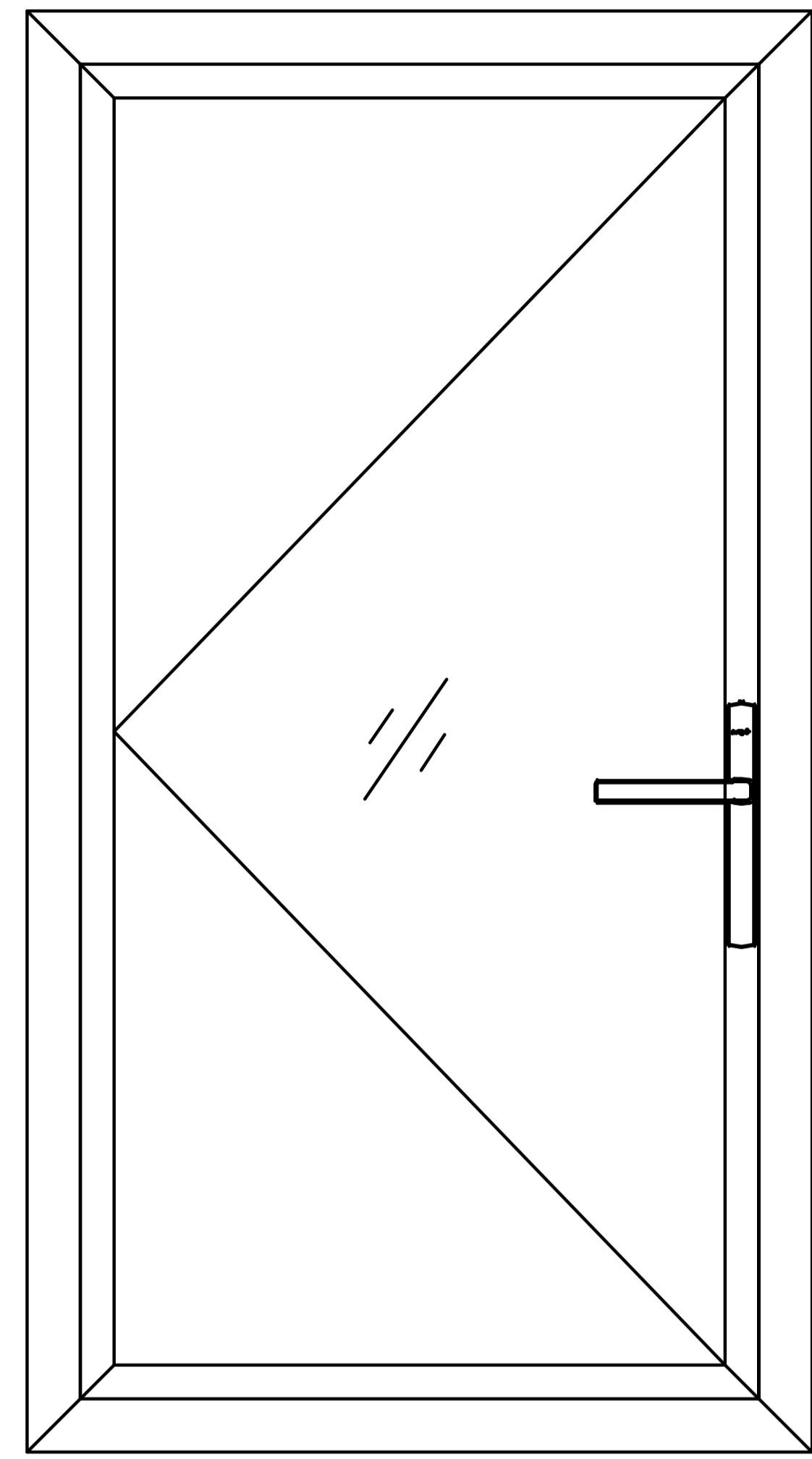


Swing door with threshold Option

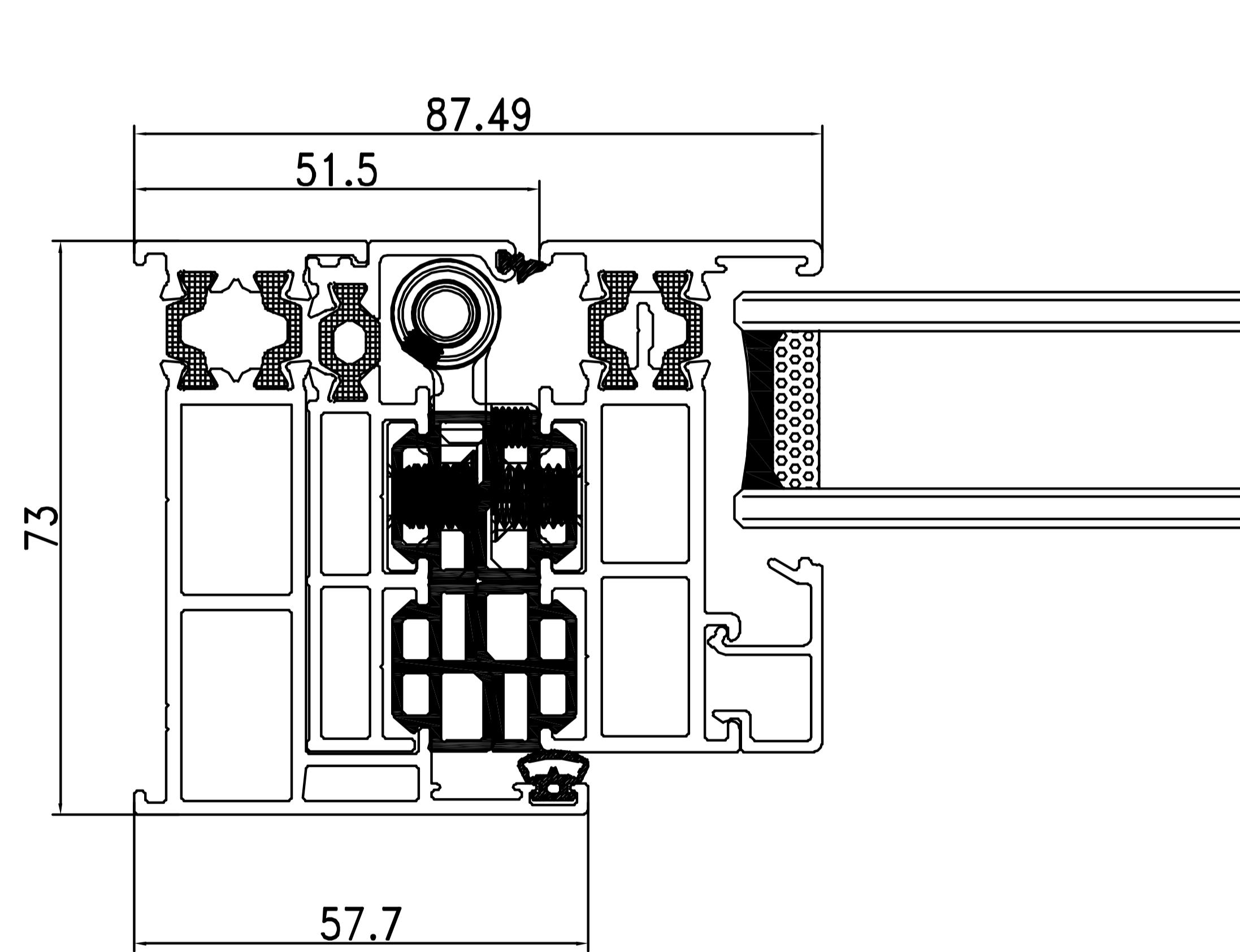


Option:110

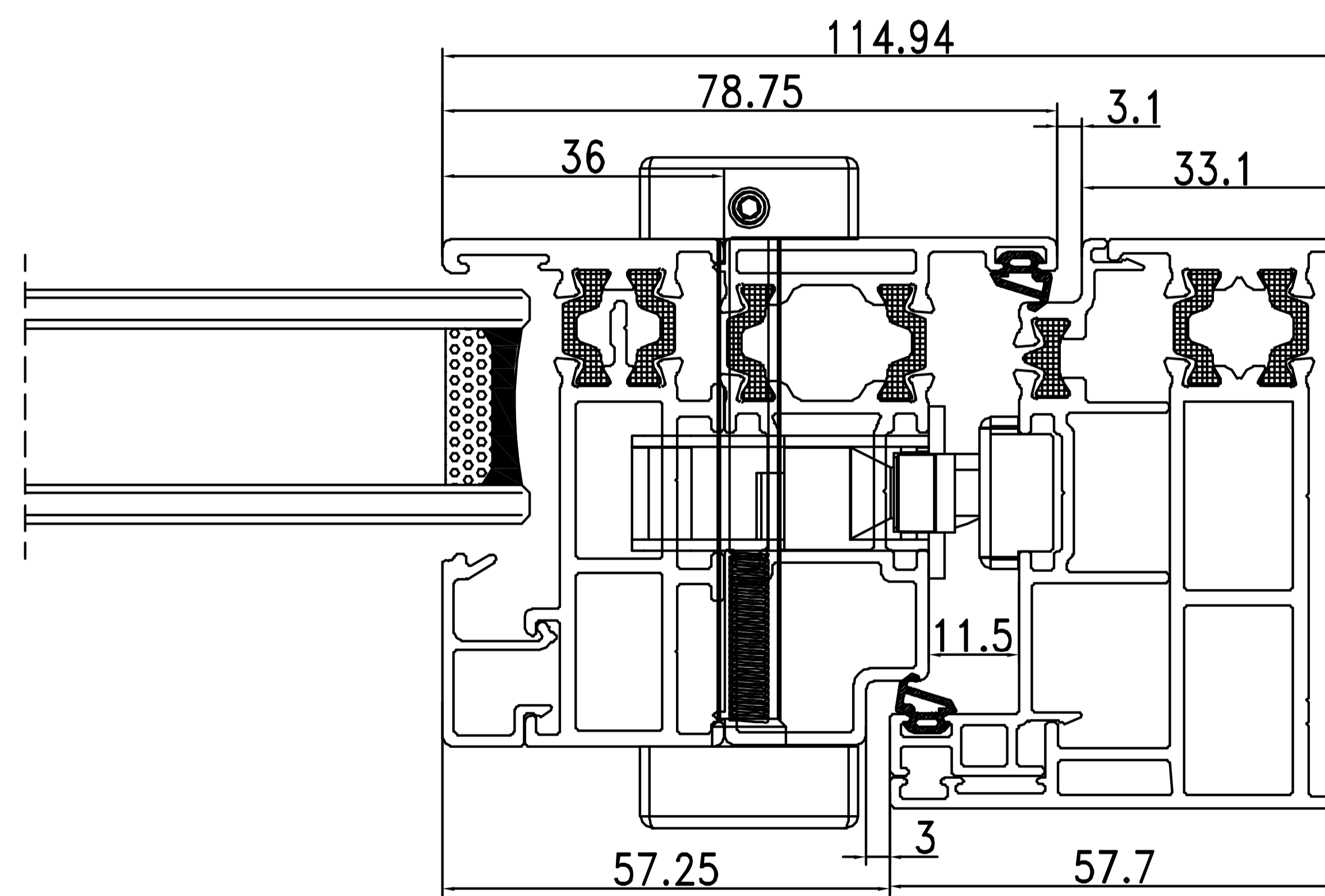
Invisible Corners Solution



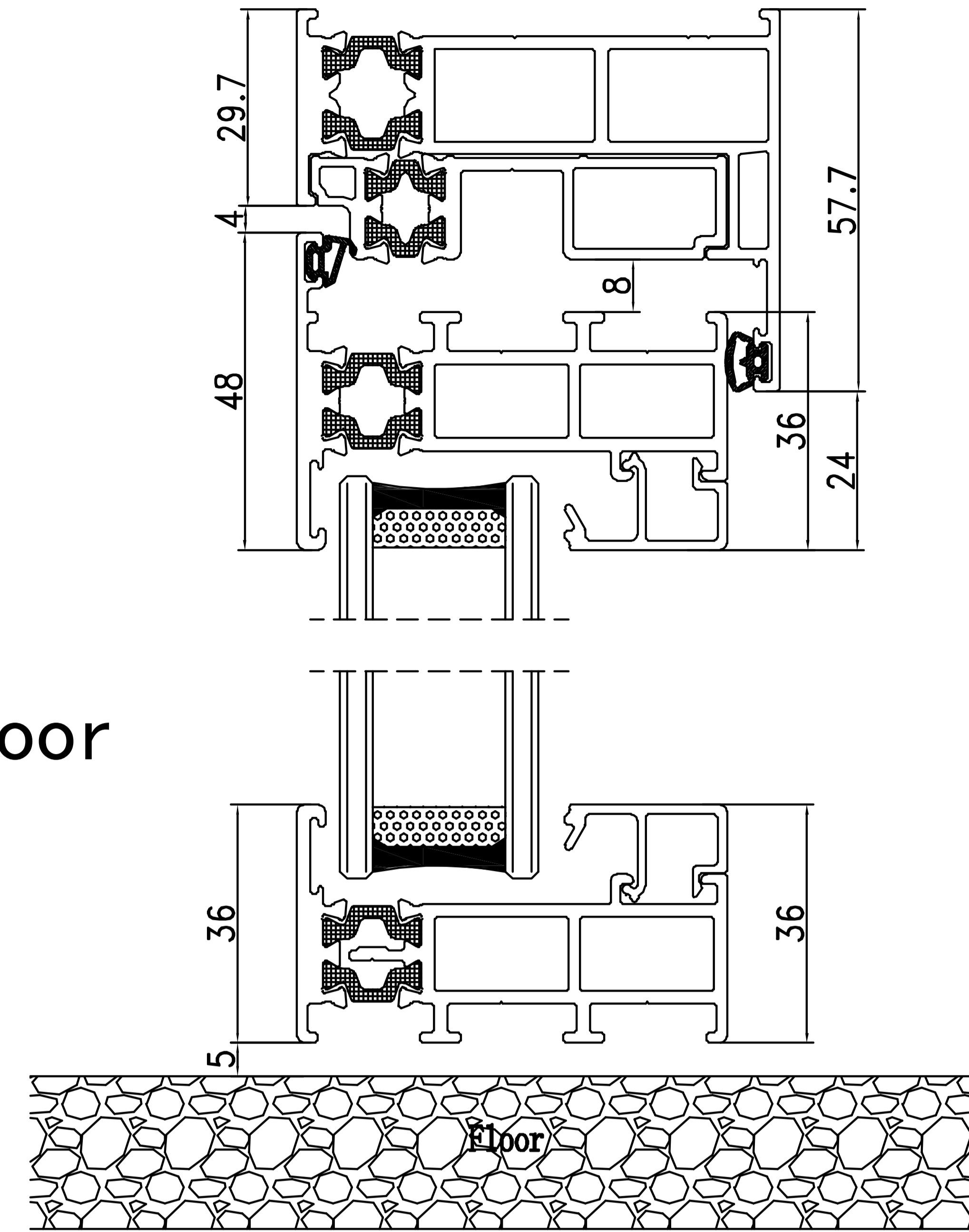
Outdoor



Indoor

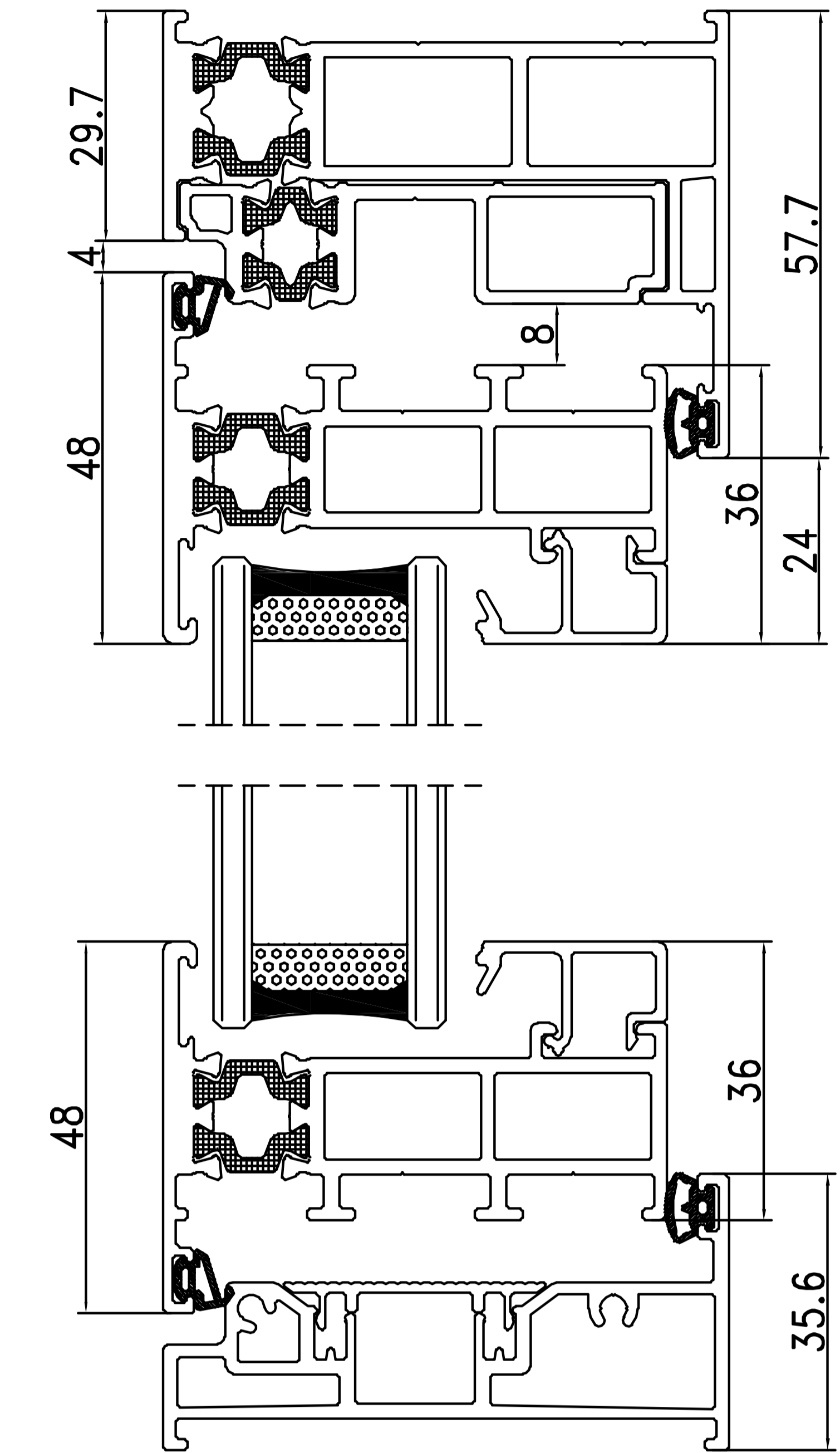


Outdoor



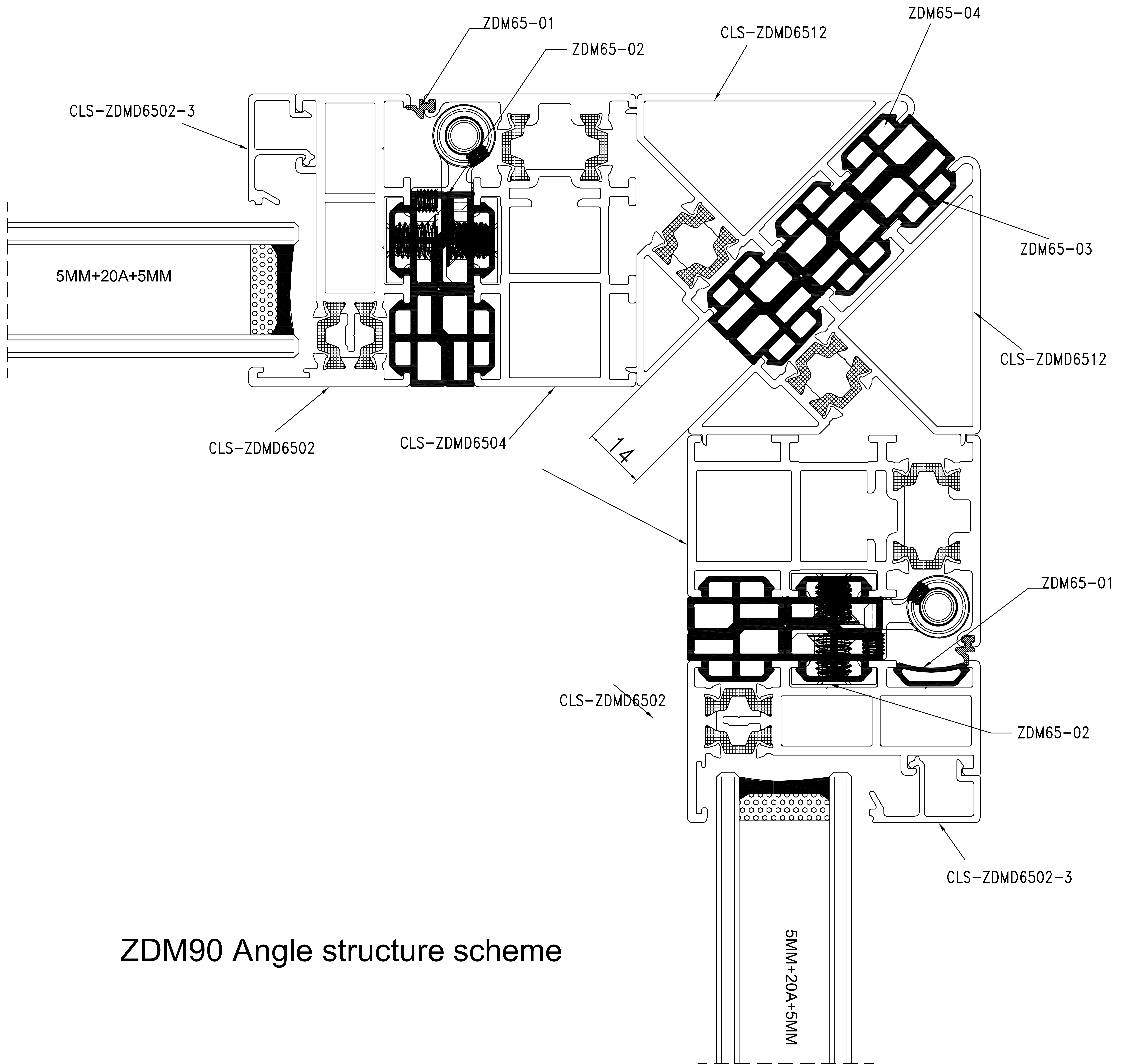
Swing door without threshold Option

Indoor



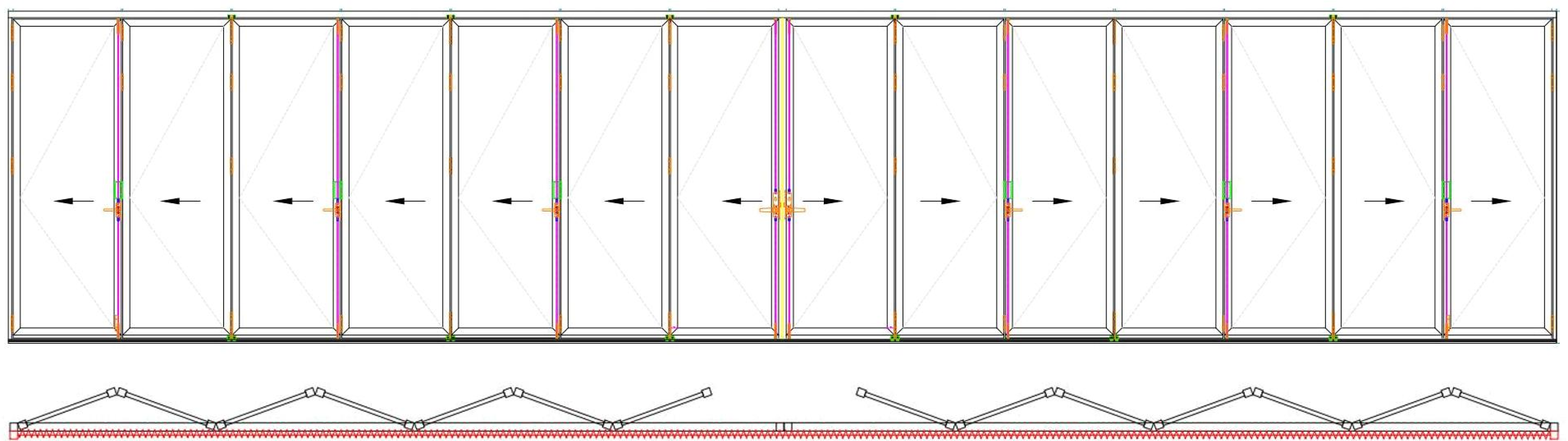
Swing door with threshold Option

Invisible Corners Solution



ZDM90 Angle structure scheme

FOLDING DOOR SCREEN



inside