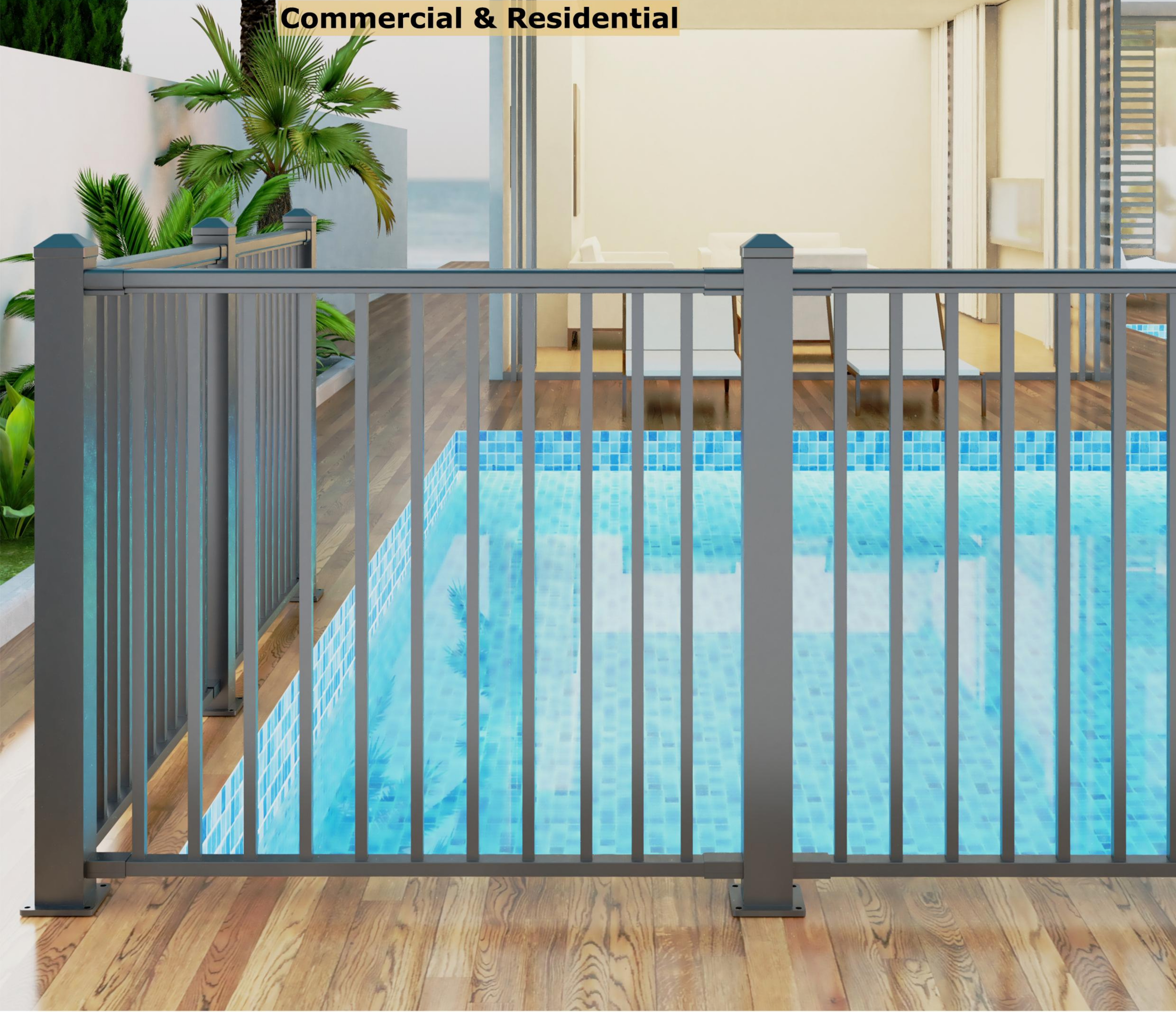




DIY

RAILING

Commercial & Residential



DIY RAILING

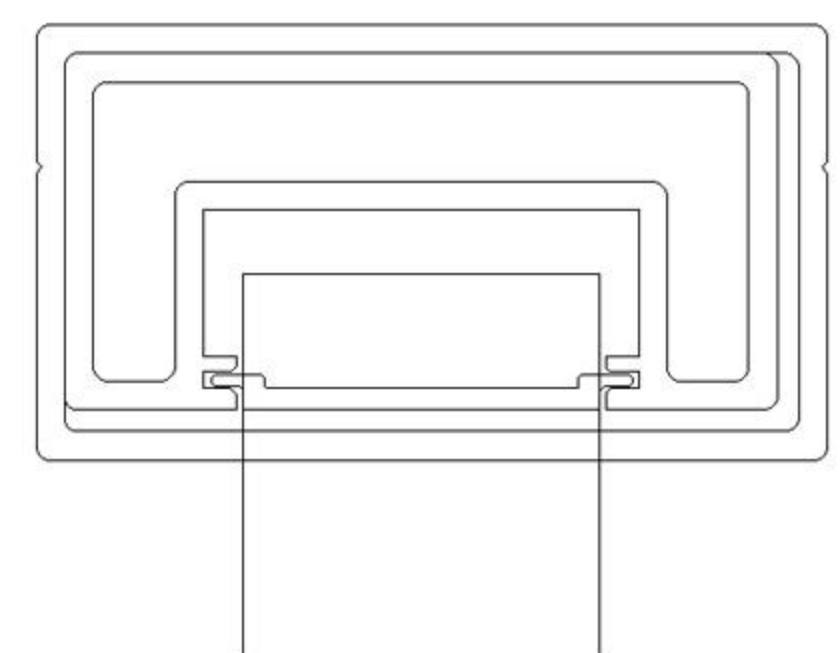
Glass Railing

**It's sleek, beautiful and low maintenance.
It meets code requirements.**

Add style and protection without blocking out a beautiful view. The Glass Railing system withstands considerably more lateral force than code requires. The outer rail provides a secure hand grip and completely covers all stainless-steel fasteners for a sleek, hidden-fastened look.



Railing Profile

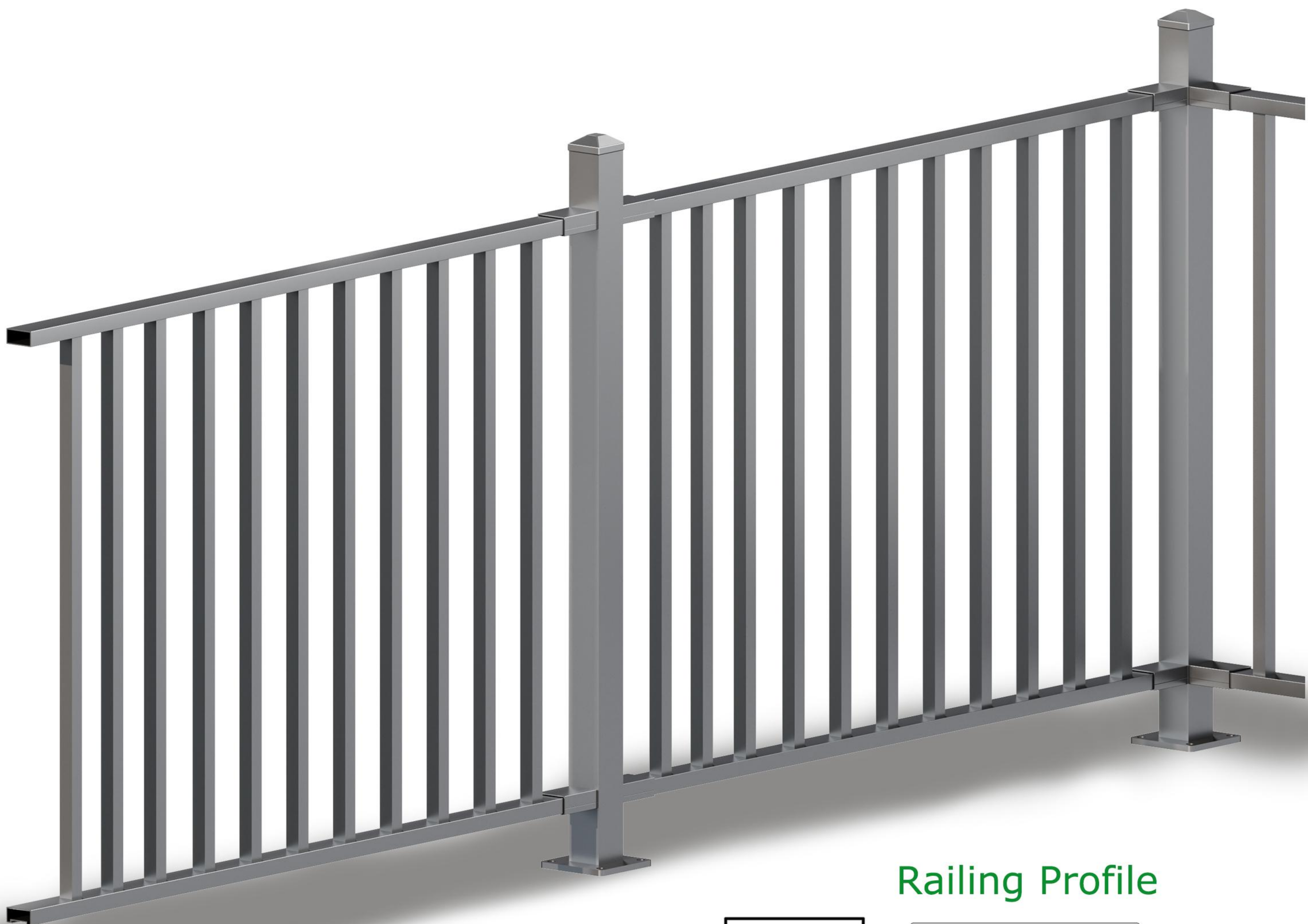


DIY RAILING

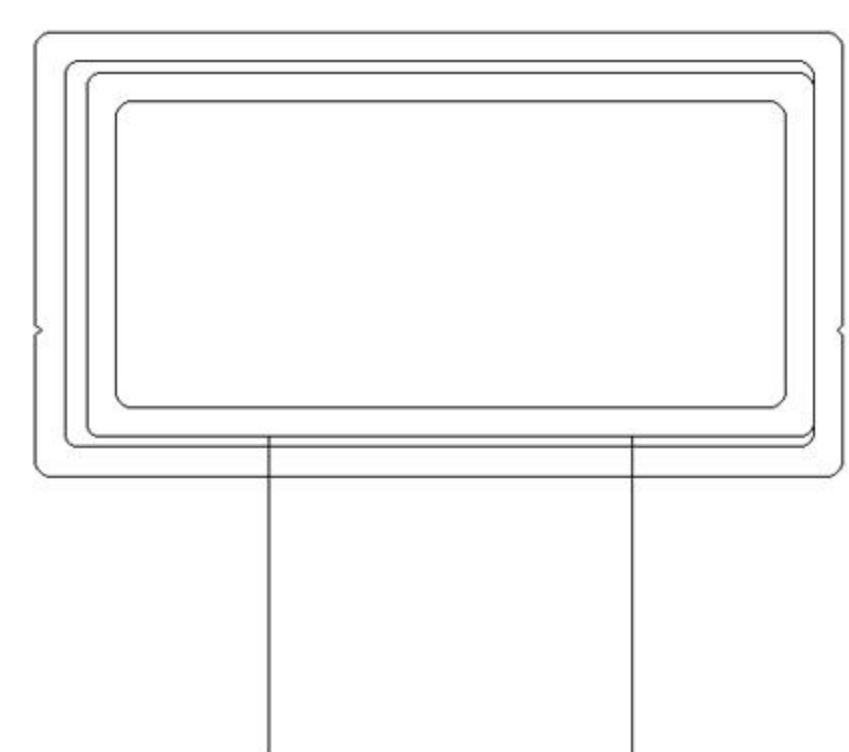
Continuous Railing

Strong enough to meet or exceed all building codes for railings

This railing system utilizes a two-piece design that withstands considerably more lateral force than code requires. The outer rail completely covers all the stainless-steel fasteners for a sleek look.



Railing Profile



DIY RAILING

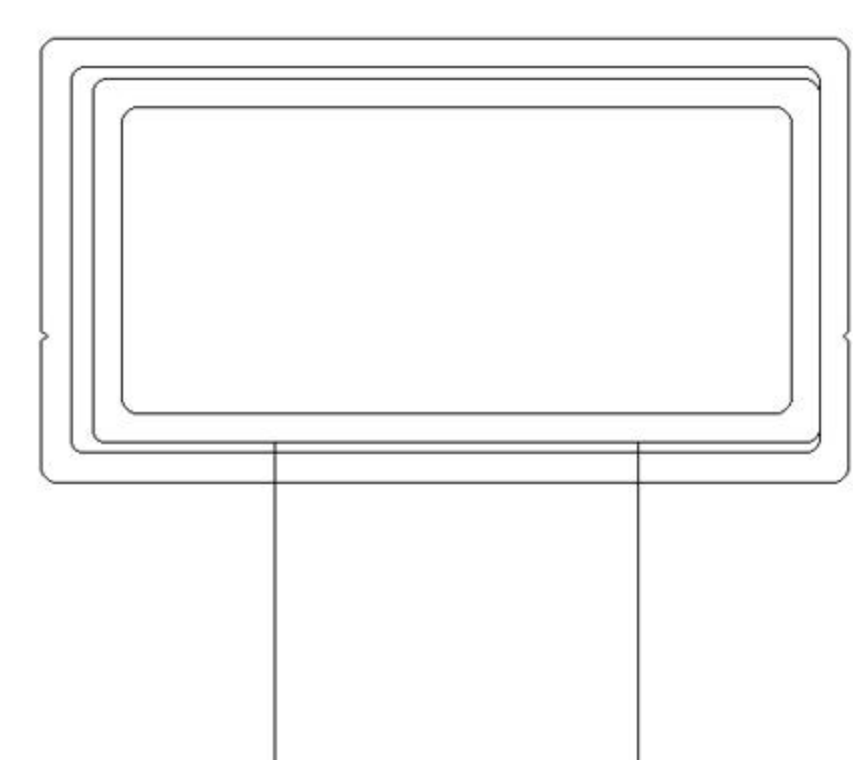
Self-Supporting Balconies (Continuous Railing)

**Strong. Beautiful. Long-lasting and Low-Maintenance.
An All-Aluminum Balcony System with Welded Components and a 10-Year Warranty.**

This pre-fabricated self-supporting aluminum balcony system utilizes super-strong, light-weight extruded joist and frame components that are stronger and lasts longer than any wood counterpart. The system also greatly reduces install time, and comes with a 10-Year commercial warranty.



Railing Profile



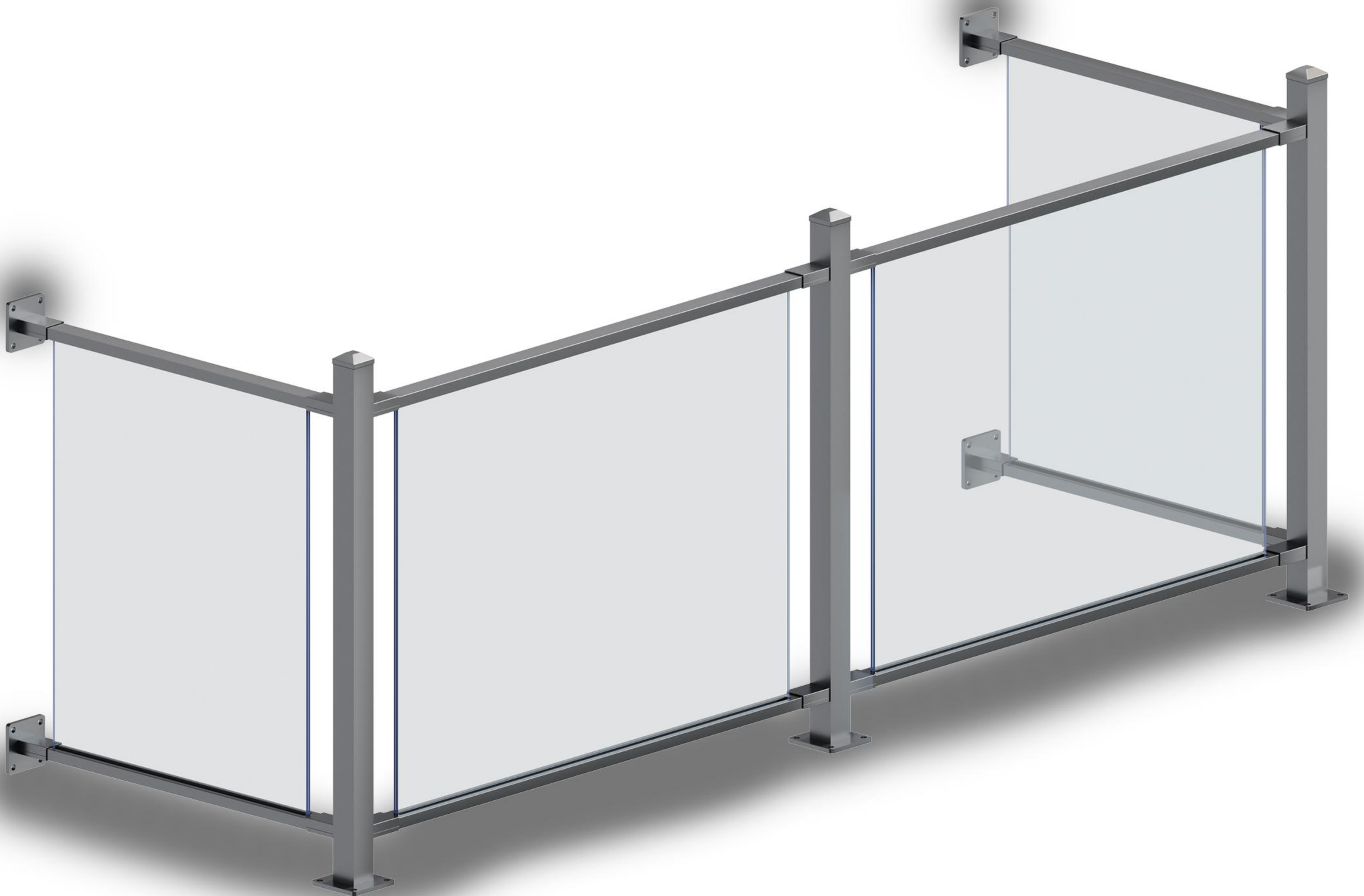
DIY RAILING

Self-Supporting Balconies (Glass Railing)

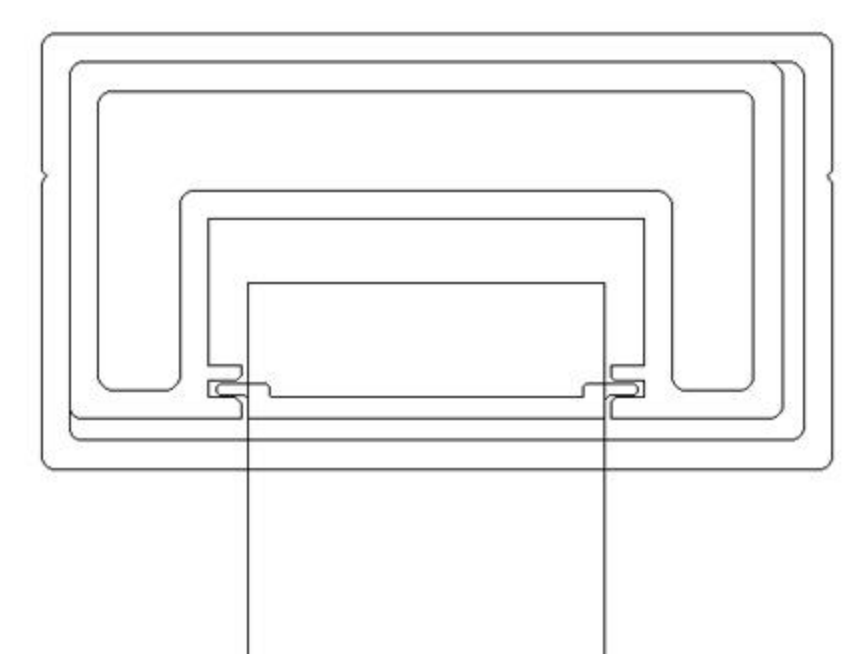
Strong. Beautiful. Long-lasting and Low-Maintenance.

An Glass Balcony System with Safety, Wind Protection and Aesthetic Appeal.

This pre-fabricated self-supporting aluminum balcony system utilizes super-strong, light-weight extruded joist and frame components that are stronger and lasts longer than any wood counterpart. Glass railings can provide a level of wind protection, making the balcony area more comfortable during windy conditions. This can be particularly important in high-rise buildings or coastal locations.



Railing Profile



DIY RAILING

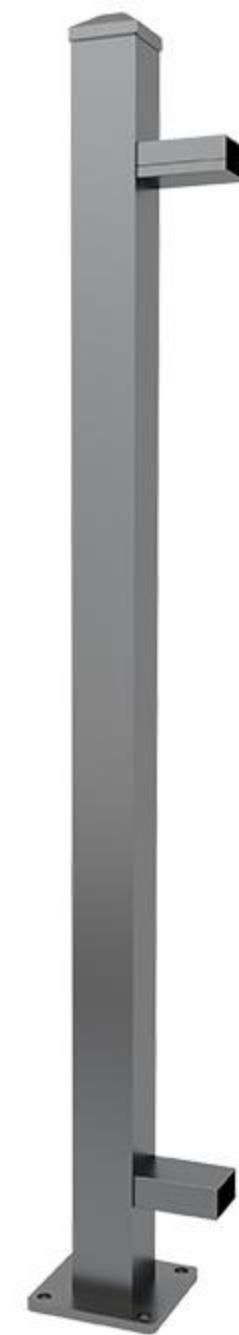
Component drawing



Conner Post



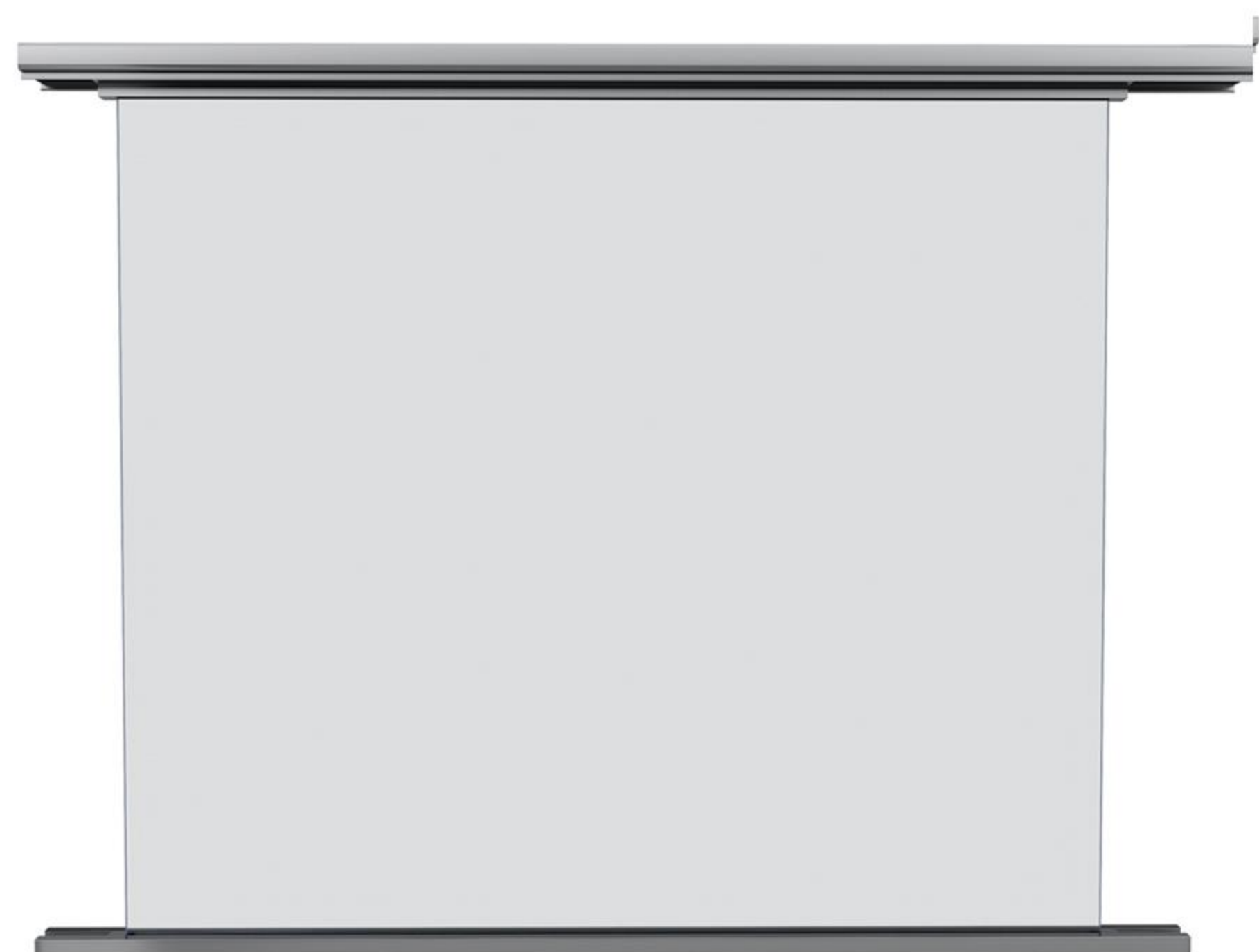
Middle Post



Side Post



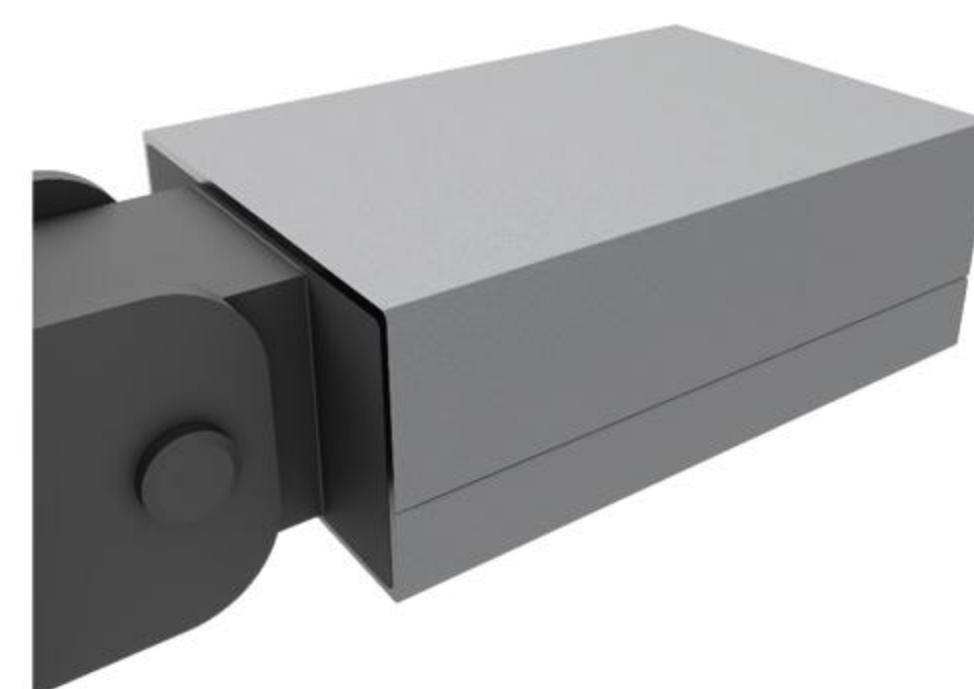
Continuous Railing



Glass Railing



Top Handrail Cap



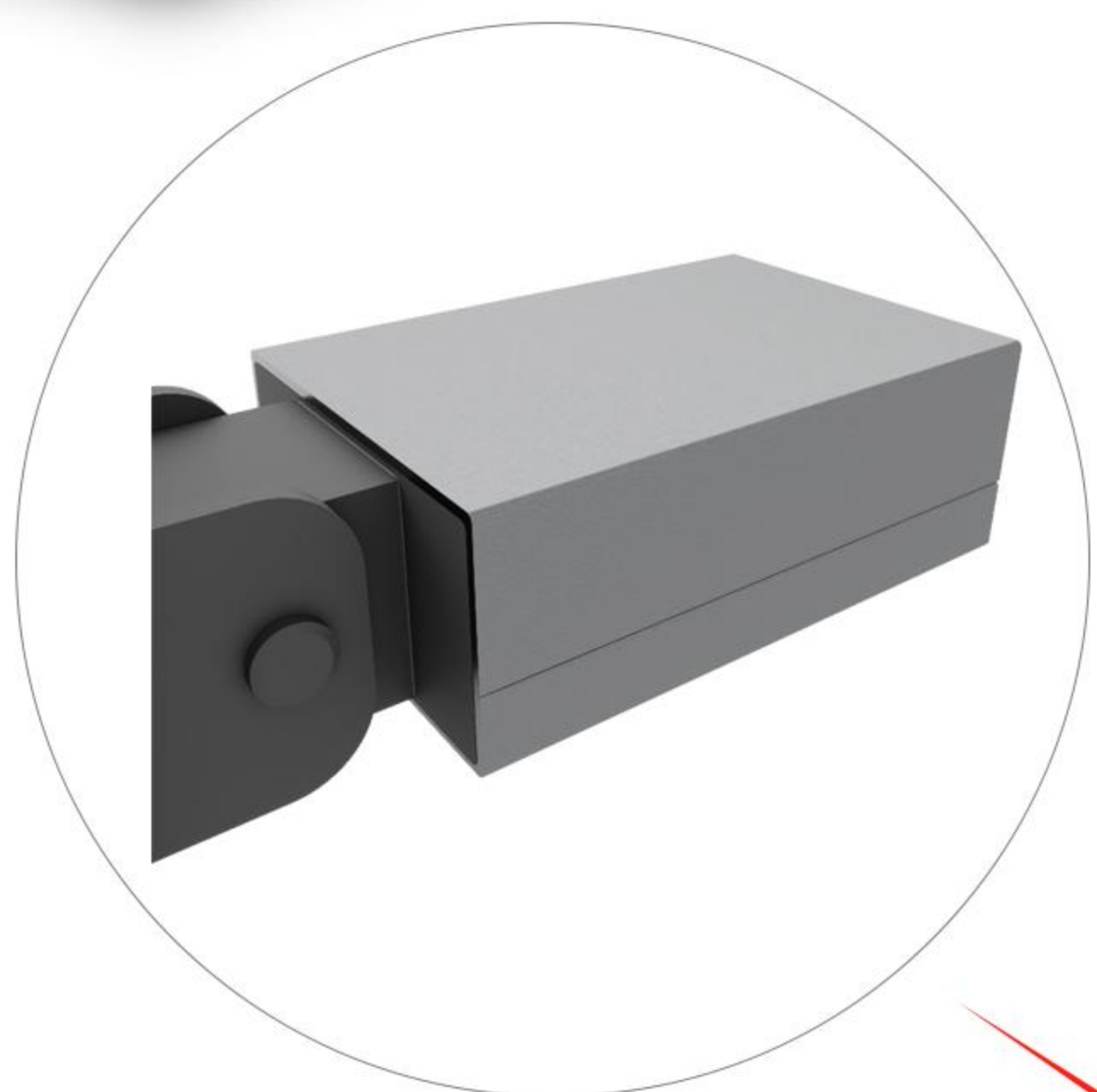
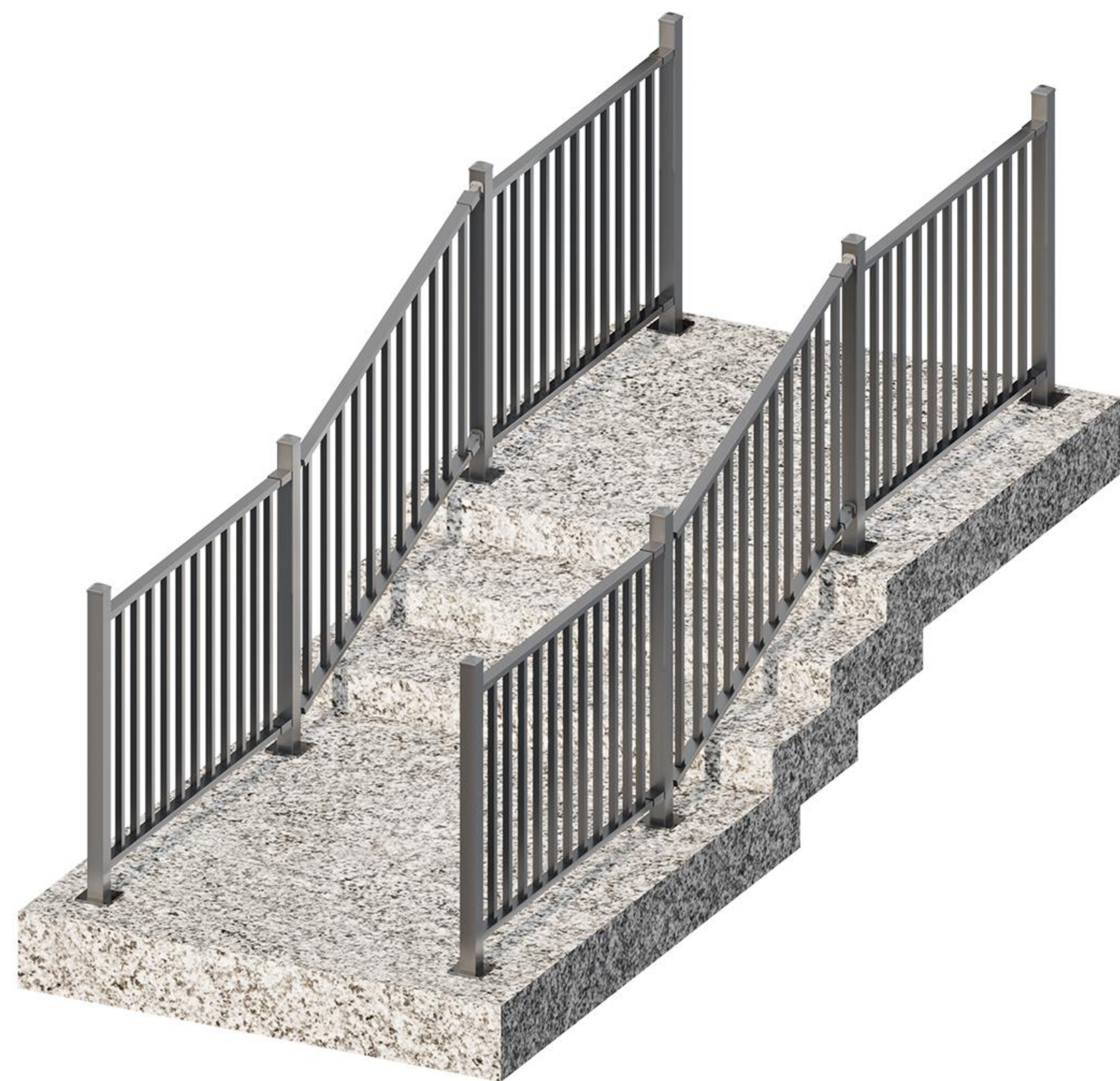
Stair Adjusting Cap



Bottom support

DIY RAILING

Top mounting installation



Ajusting cap according any angles

